





GENUINE PARTS

INSTALLATION INSTRUCTIONS


DESCRIPTION:		Rear Bumper Protective Film	
APPLICATION:		NISSAN Murano	
PART NUMBER:		999B1 C3000	
KIT CONTENTS:			
Item	QTY	Part Description	Service Part Number
A	1	Clear Rear Bumper Film	999B1 C3000
B	1	Plastic Squeegee	N/A
C	1	Squeegee Sleeve	N/A
D	1	Installation Instructions Replacement Template	999V2 AW000




A



B



C



D

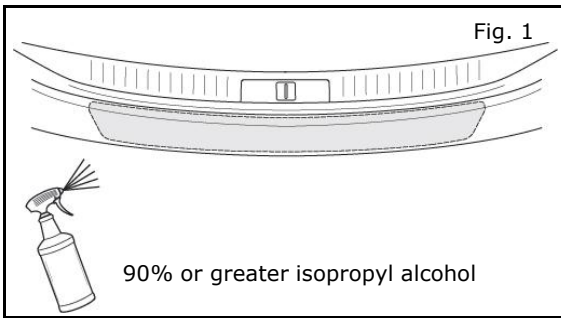
TOOLS REQUIRED:

- 90% Isopropyl Alcohol
- Dish Soap
- 32 Ounce Spray Bottle
- Water
- Soft Lint Free Micro fiber Cloth

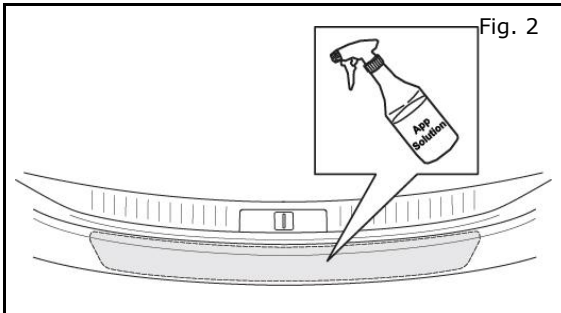
PRE-INSTALLATION WARNINGS, CAUTIONS, CRITICAL STEPS, and NOTES:

- Dealer Installation Recommended.
- **Application Solution:** Fill a 32 spray bottle with 25% isopropyl alcohol, 75% water, and add 5-7 drops of dish soap.
- Install in a non-dusty environment.
- Thoroughly wash vehicle with soap and water.
- Use tabs when handling film so no finger prints are left on adhesive.
- Install at ambient temperature of 65-90° F.

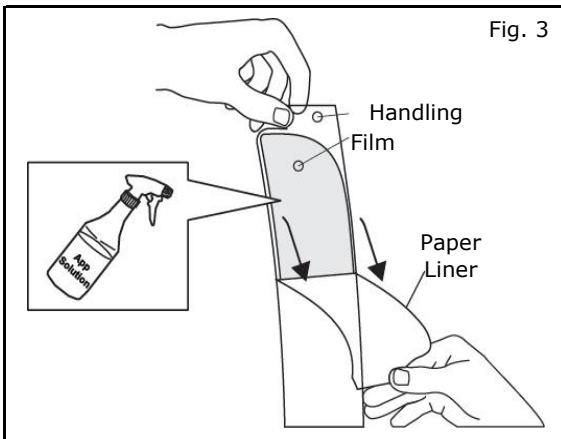
INSTALLATION PROCEDURE:



- 1) Using a clean lint free micro fiber cloth clean surface of rear bumper with 90% or greater isopropyl alcohol. Allow area to dry completely.

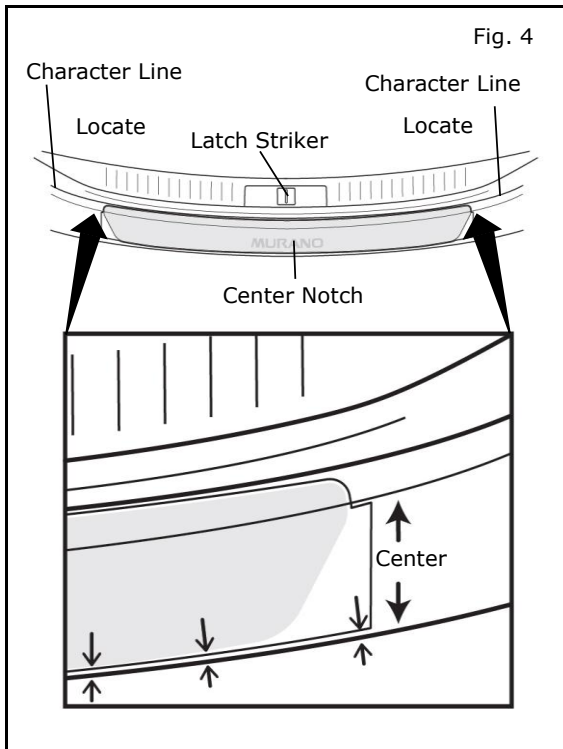


- 2) Spray bumper surface with application solution.

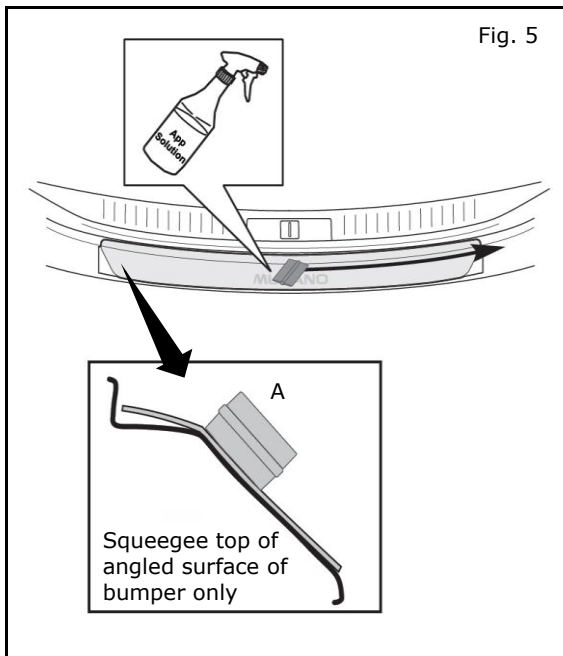


- 3) Hold by white handling tab and remove paper liner.
- 4) Spray adhesive side with an even mist of application solution.

INSTALLATION PROCEDURE: (continued)

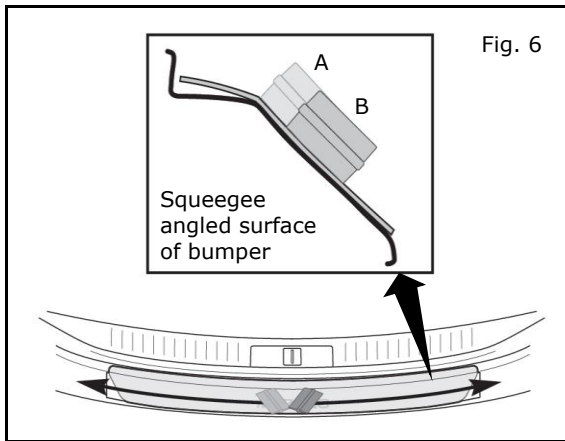


- 5) Align film into position.
- a) Aligning center notch to latch striker.
 - b) Center film locator / handling tab on surface between features as shown in inset.
 - c) Keep consistent space to edge as shown in inset.



- 6) Spray top surface of pre-mask with even mist of application solution.
- 7) Begin squeegee while lightly touching pre-mask surface on top of angled surface of bumper. As shown in Figure 5 inset.
- 8) Using a 45° angle and firm pressure as you drag the squeegee from the center to right. This will aid in not leaving impression in part.

INSTALLATION PROCEDURE: (continued)

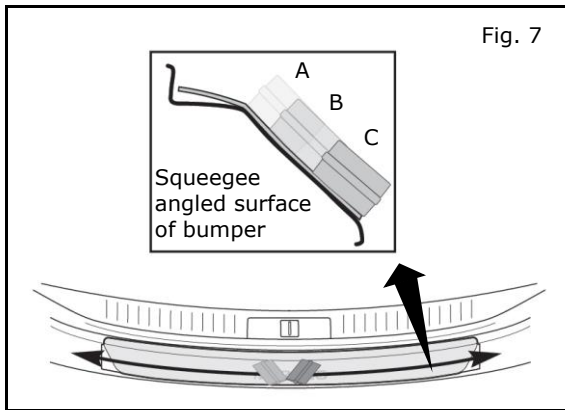


- 9) Continue squeegeeing angled surface by holding squeegee at 45° angle and firmly squeegee from center to right with several strokes (repeat from center to left).

Note: Insets showing A B illustrate the overlap of squeegee strokes vertically on the film surface (Fig 6).

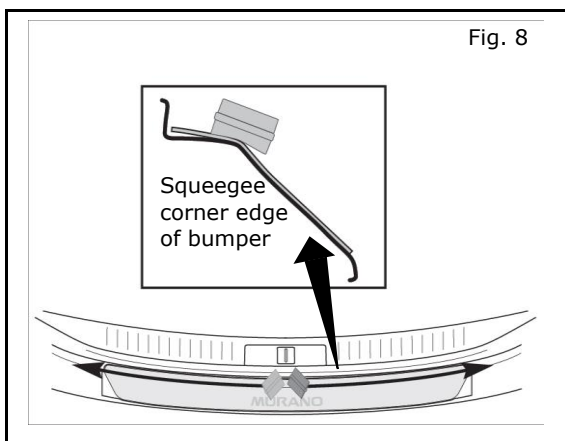
Note: The bumper protective film is to be installed center to right and center to left. Overlapping the squeegee strokes in the center to avoid air or water entrapment.

- 10) Make sure all air is removed from under film. Re-squeegee any edges that may have lifted.



- 11) Finish squeegeeing the angled surface by holding squeegee at 45° angle and firmly squeegee from center to right (repeat from center to left) with several overlapping strokes.

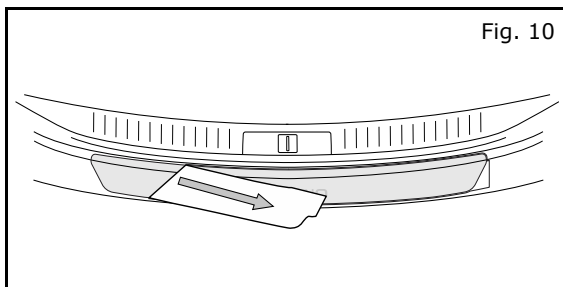
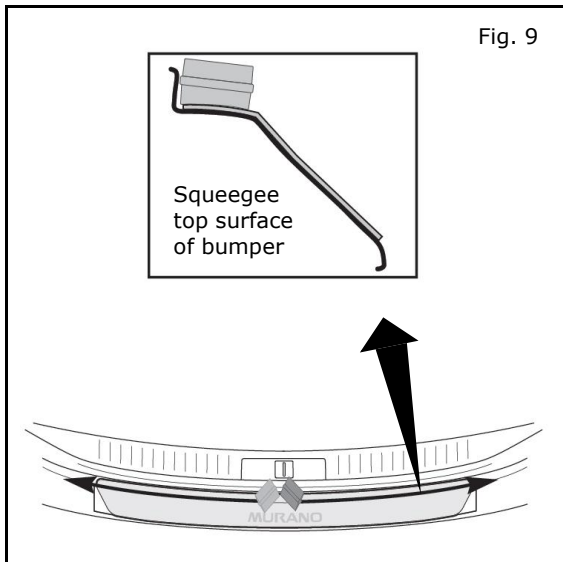
Note: Insets showing A B C illustrate the overlap of squeegee strokes vertically on the film surface (Fig 7).



- 12) Firmly squeegee corner edge of bumper with three or four center to right and center to left strokes.

NOTE:
Make sure no bubbles are present before going to next step. Do not wrap edge at this time. Re-squeegee if bubbles are present.

INSTALLATION PROCEDURE: (continued)



- 13) Firmly squeegee top surface of bumper with three or four center to right and center to left strokes.
- 14) Make sure all air and water is removed from under film. Re-squeegee any edges that may have lifted.

- 15) Remove pre-mask top protective covering by CAREFULLY pulling 180° against itself (Fig 10).

- 16) Re-squeegee any edges that may have lifted.

NOTE:

An alcohol & water solution can be sprayed under edges and re-squeegee if not adhering.

NOTE:

Inspect for bubbles. If a bubble is located, re-squeegee using a firm, fast stroke.