



# GENUINE PARTS

## INSTALLATION INSTRUCTIONS

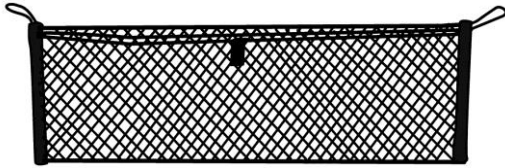
**DESCRIPTION:** CARGO NET

**APPLICATION:** LEAF

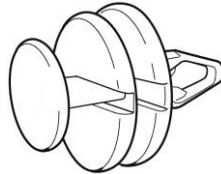
**PART NUMBER:** 999C1 8X000

### KIT CONTENTS:

Item	QTY	Description
A	1	Cargo net
B	2	Hooks
C	1	Instruction Replacement Template



A



B



C

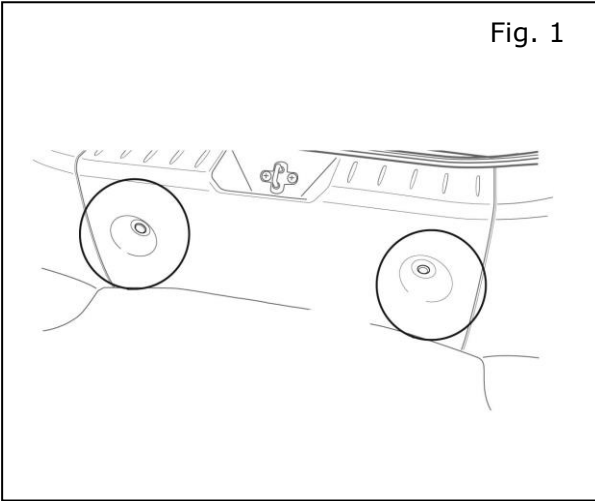
**TOOLS REQUIRED:** Flat head screw driver

### PRE-INSTALLATION CAUTIONS / NOTES:

- Ensure that net is securely attached so cargo does not fall out during transit.
- Keep this installation sheet with vehicle owner's manual for future reference.
- Max load not to exceed 30 lbs.

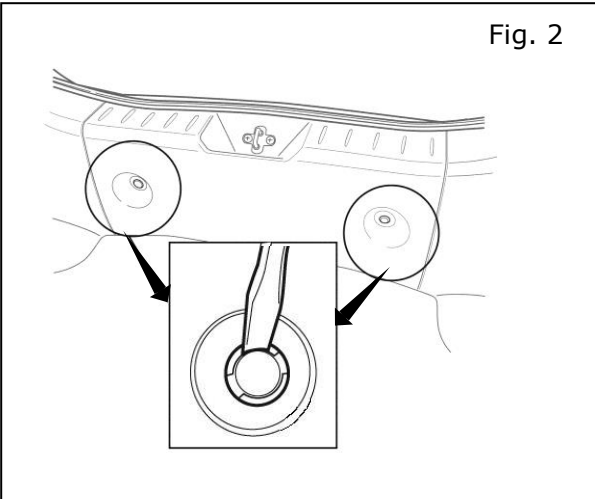
## INSTALLATION :

Fig. 1



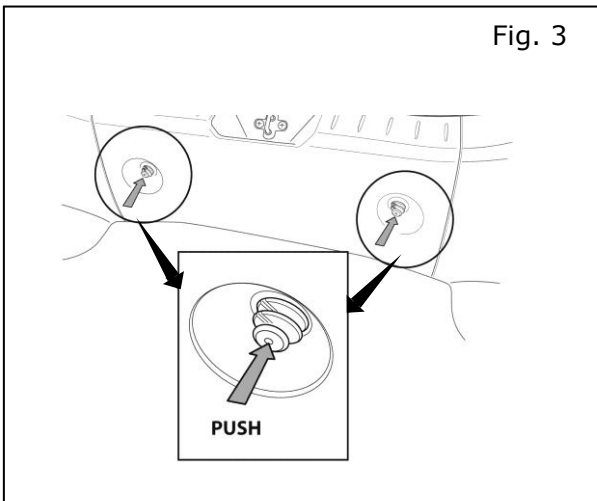
1. Locate lower clips (2), in the trunk.  
(Fig. 1)

Fig. 2



2. Remove the clips with a flat head screw driver.  
Pull out the center head and remove clips by hand.  
(Fig. 2)

Fig. 3



3. Install hooks in correct position before pushing in the center head. Once hooks are in position, push in the head to secure.  
(Fig. 3)

4. Install the net (Fig.4)

- a. Position the net so the pull tab is facing the front of the vehicle.
- b. Install one end of the net to the hook by rotating it around the loop.
- c. Repeat step b. for the other side of the net.

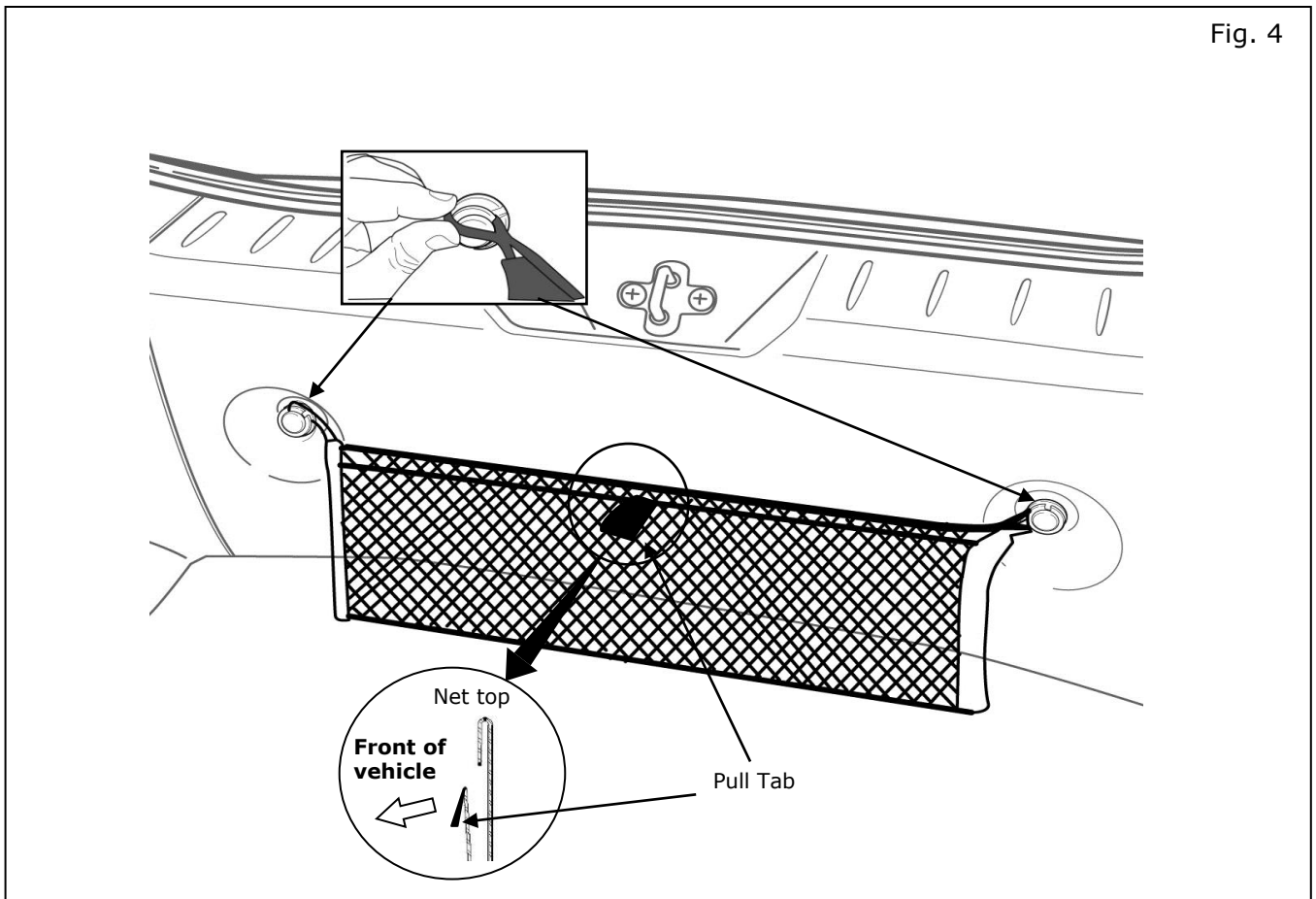


Fig. 4