



# GENUINE PARTS

## INSTALLATION INSTRUCTIONS

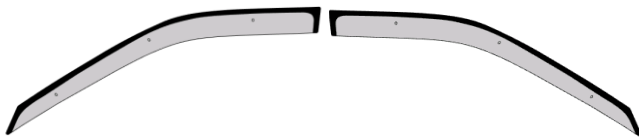
**DESCRIPTION:** Side Window Deflector

**APPLICATION:** Nissan Kicks

**PART NUMBER:** T99D3 5RL0A

### CONTENTS OF KIT

Item	Qty.	Description
A	1	Front Left Hand Side Window Deflector
B	1	Front Right Hand Side Window Deflector
C	1	Rear Left Hand Side Window Deflector
D	1	Rear Right Hand Side Window Deflector
E	10	Metal Clip
F	10	Push Rivet
G	4	Alcohol Wipe
H	10	Paint Protective Film
I	1	Installation Instruction Replacement Template



A

B



C



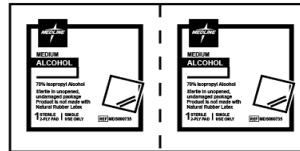
D



E



F



G



H

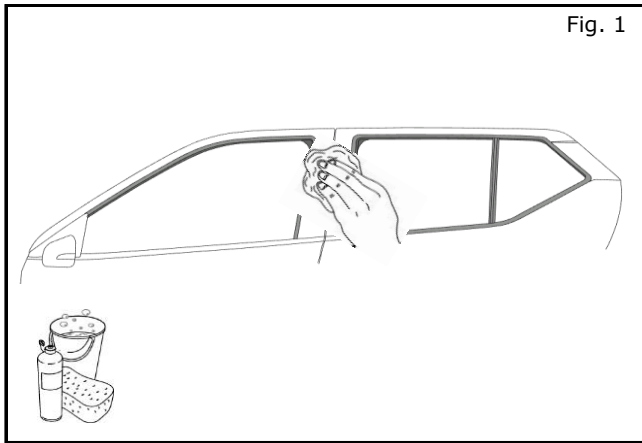
### TOOLS REQUIRED

- Clean Cloth
- Soap/Water
- Ruler or Tape Measure
- Masking Tape
- Pen or Pencil

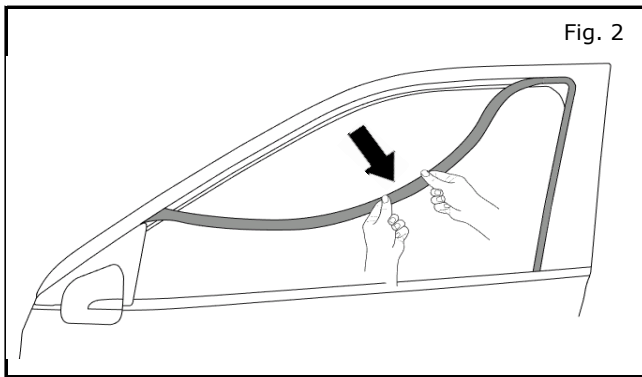
### CAUTIONS/NOTES:

- Prior to installation, clean the installation areas with the alcohol wipe provided.
- Never use solvent or ammonia based cleaners to clean the installation areas.
- It is recommended to install this product through an authorized Nissan distributor.
- Do not expose the vehicle to sun or water for 24 hours after installation.
- Warranty will be void if the installation has not been performed correctly.
- Side Window Deflectors may not be legal in all states. Please check the laws of your state.

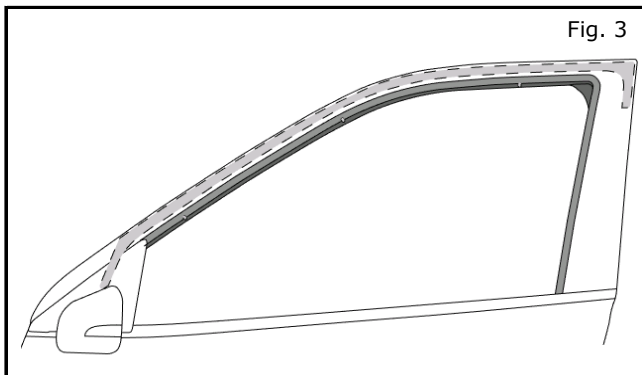
## INSTALLATION PROCEDURE



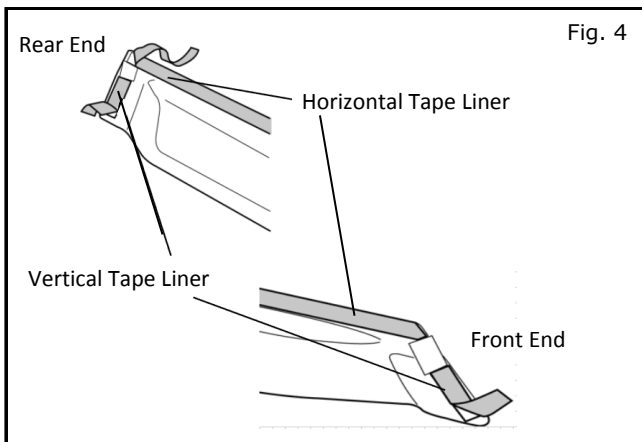
- 1) Prior to installation, clean door frame using water and detergent. Thoroughly dry area using a dry clean cloth.



- 2) Lower front door window and pull rubber weather strip down to expose door flange.

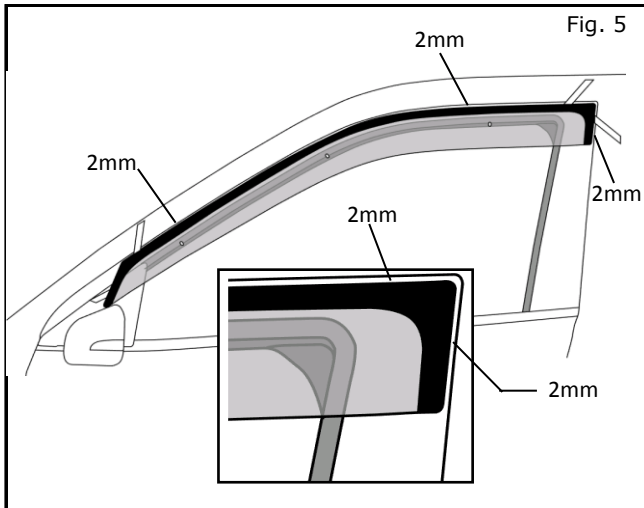


- 3) Clean shaded area of door with alcohol pad.

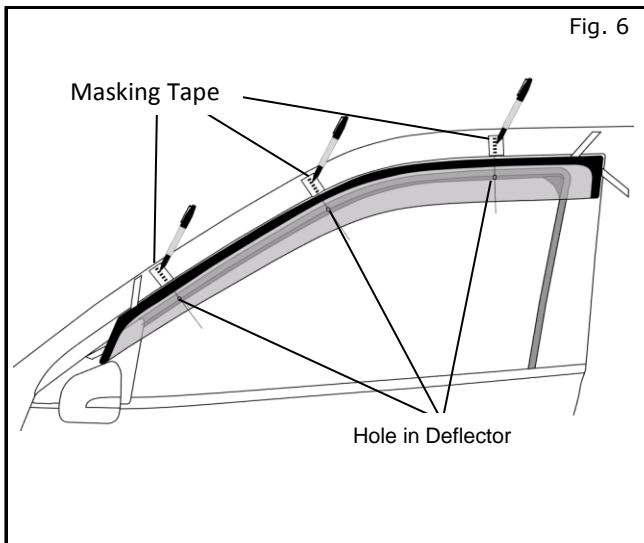


- 4) Fold back horizontal and vertical tape liners to expose only a small corner of tape as shown.

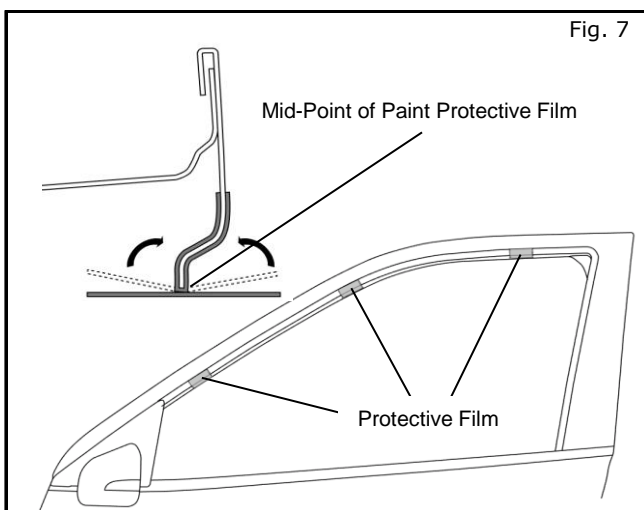
## INSTALLATION PROCEDURE



- 5) Trial fit side window deflector on door frame ensuring it is aligned 2mm away from top of door frame and 2mm away from rear edge of door frame.



- 6) Place masking tape at hole locations and mark locations with pen.

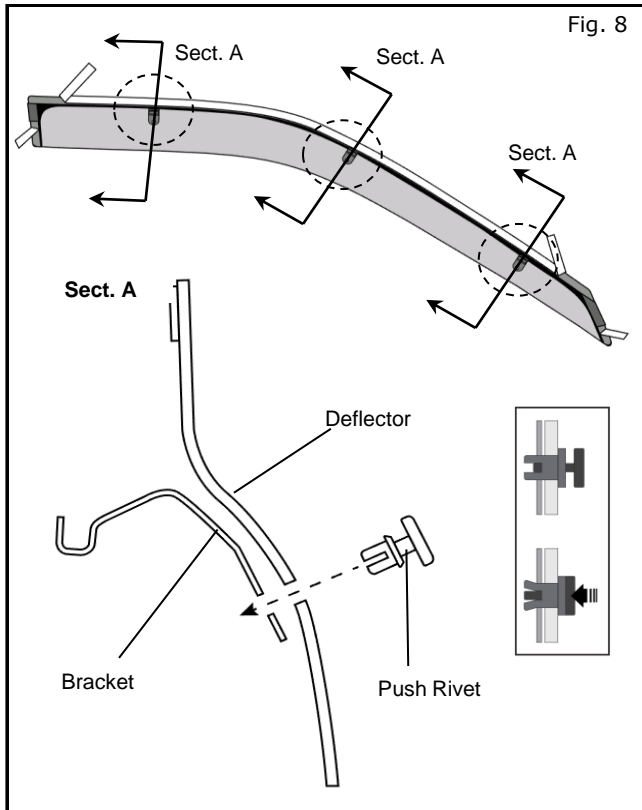


- 7) Center paint protective film on pen mark and wrap film half on inside door channel and half on outside as shown.

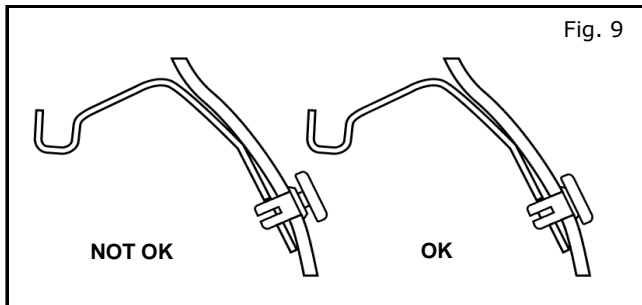
Note: Film should be installed "wide" along channel.

- 8) Remove masking tape.

## INSTALLATION PROCEDURE

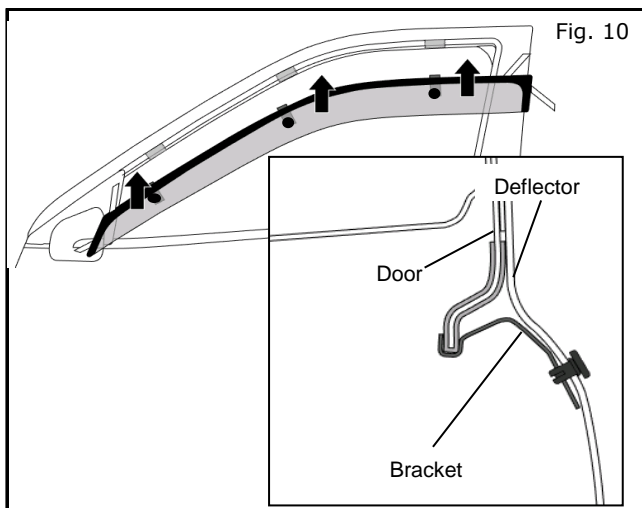


9) Attach (3) brackets to deflector using (3) rivets.



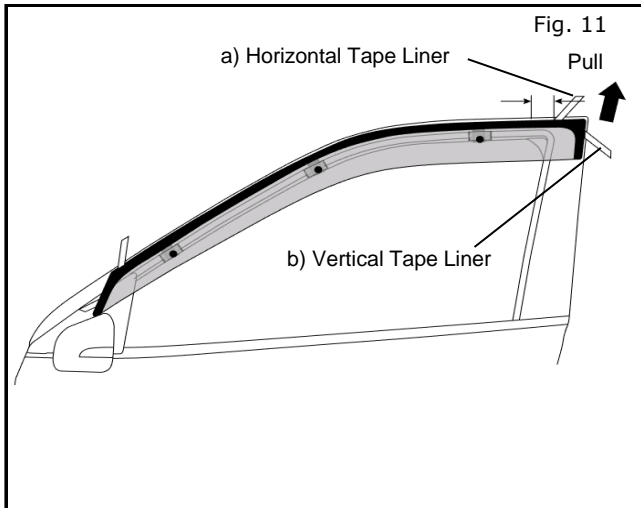
### **CAUTION**

**Confirm push rivet is fully compressed against deflector.**

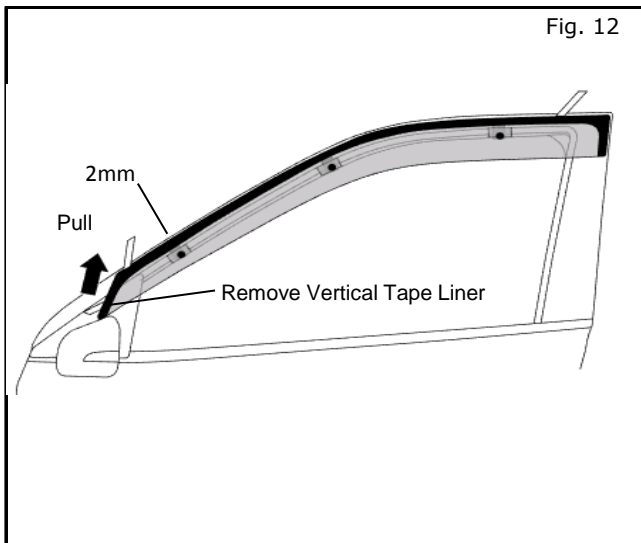


10) Attach deflector to door by sliding brackets onto door flange and align deflector as per Step 5.

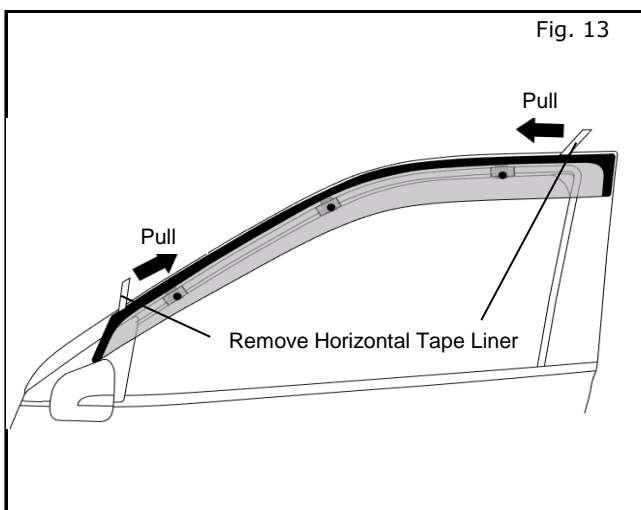
## INSTALLATION PROCEDURE



- 11) Tape Liners:
- Peel horizontal tape liner approximately 2 inches.
  - Remove vertical tape liner and tack deflector in place.

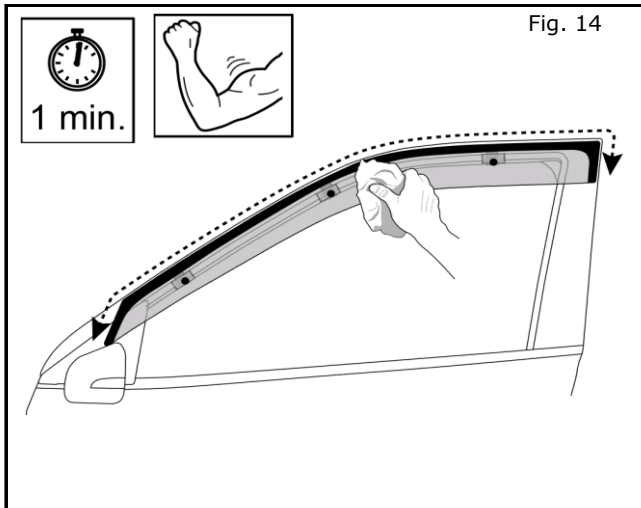


- 12) Position front end of deflector over mirror base and align top of the deflector edge 2mm away from top of door frame.
- 13) Remove vertical tape liners and tack deflector in place.



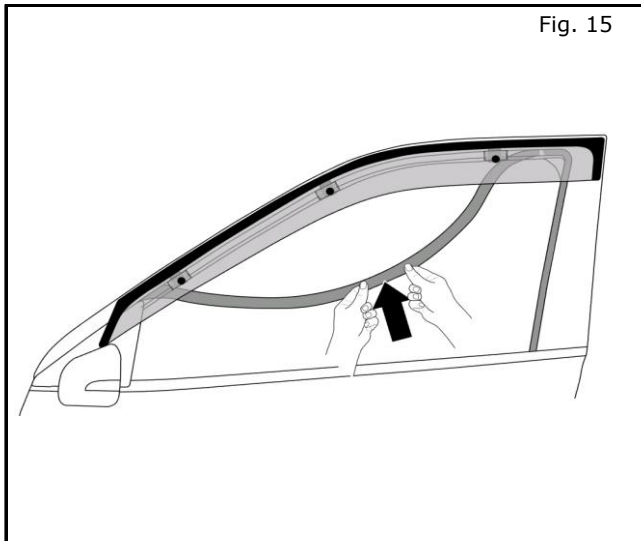
- 14) Remove horizontal tape liner completely.

## INSTALLATION PROCEDURE



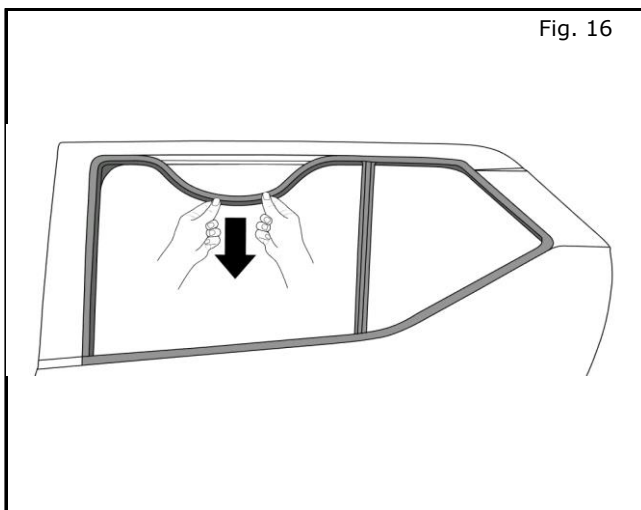
- 15) Using a clean dry rag, apply at least 15lbs of force along tape length.

**NOTE: To ensure proper adhesion, apply force to each piece for 1 minute.**



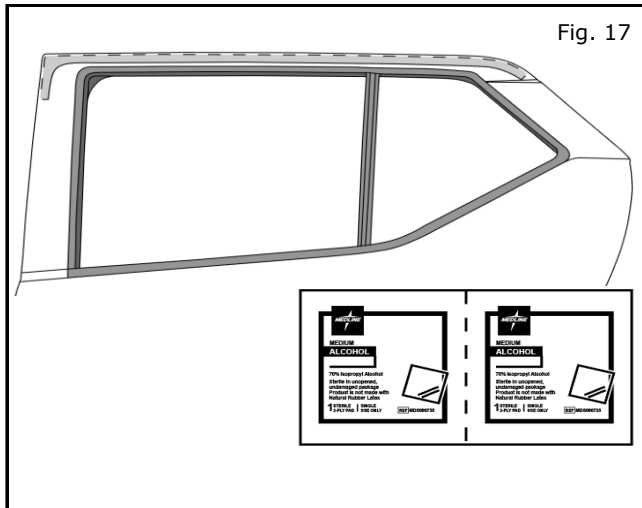
- 16) Replace rubber weather strip and make sure it is fully seated.

- 17) Raise and lower window glass several times to make sure seal is seated.

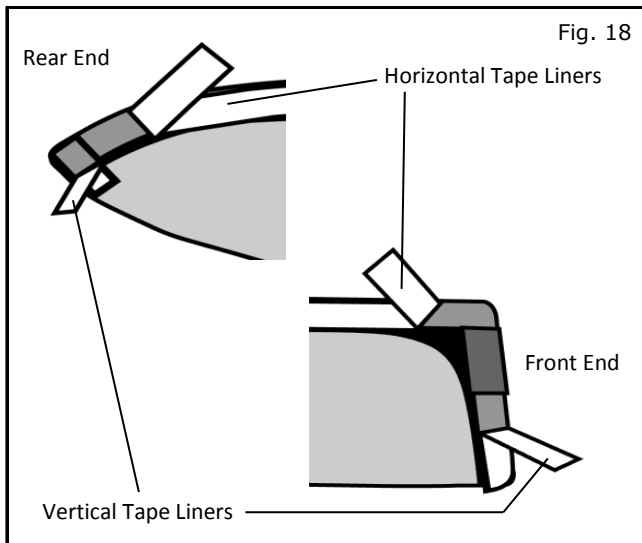


- 18) Lower rear door window and pull rubber weather strip down to expose door flange.

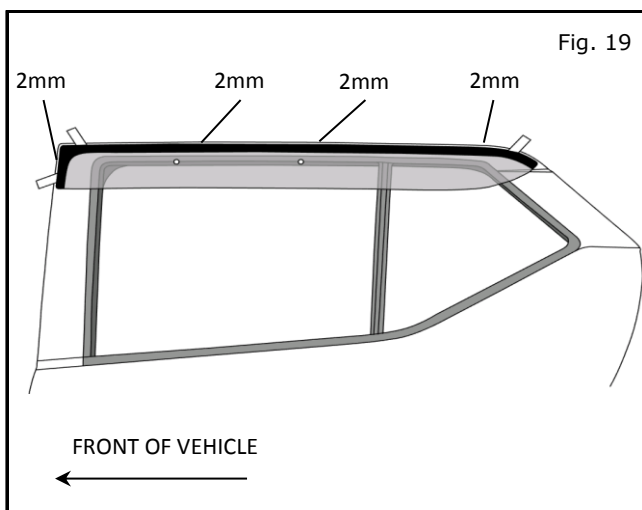
## INSTALLATION PROCEDURE



19) Clean highlighted area of door with alcohol pad.

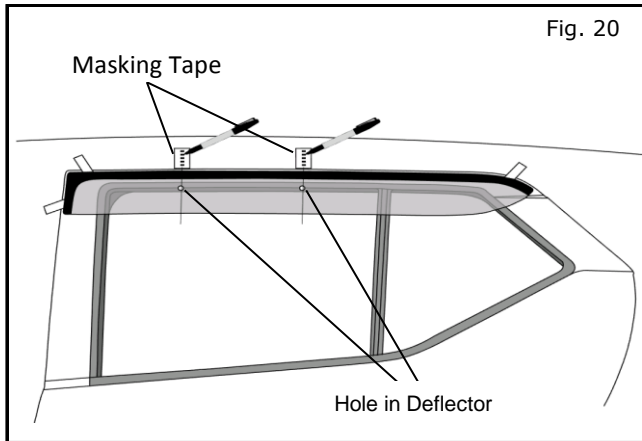


20) Fold back horizontal and vertical tape liners to expose only a small corner of tape as shown.

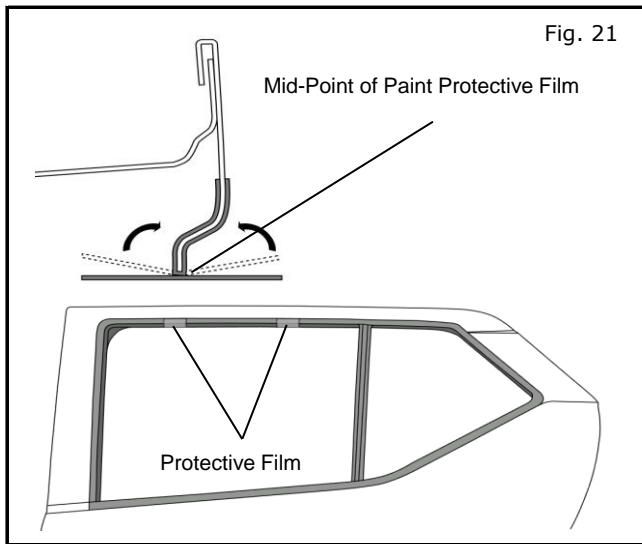


21) Trial fit rear side window deflector on door frame ensuring it is aligned 2mm away from top of door frame and 2mm away from front edge of door frame.

## INSTALLATION PROCEDURE



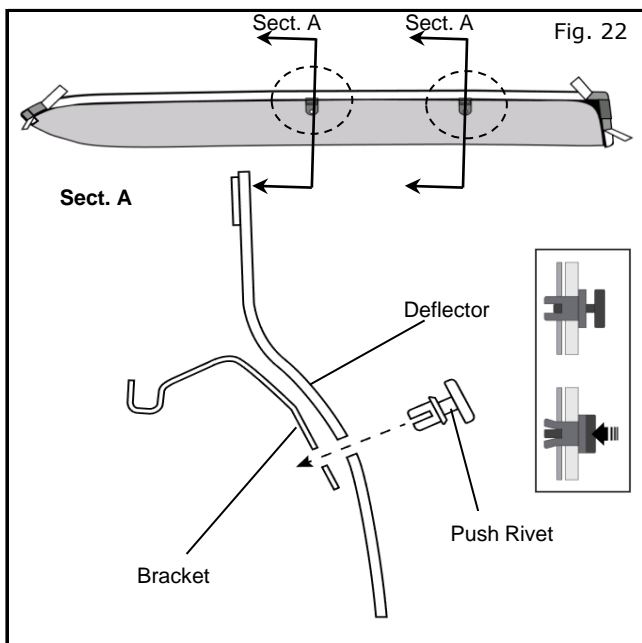
22) Place masking tape at hole locations and mark locations with a pen.



23) Center paint protective film on pen mark and wrap film half inside door channel and half on outside as shown.

Note: Film should be installed "wide" along channel.

24) Remove masking tape.

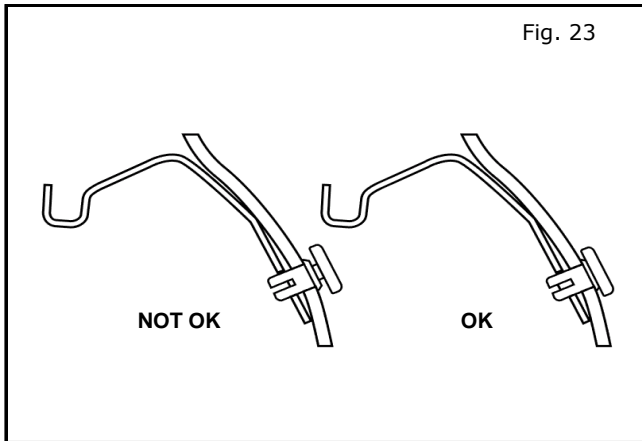


25) Attach (2) brackets to deflector using (2) rivets.



## INSTALLATION PROCEDURE

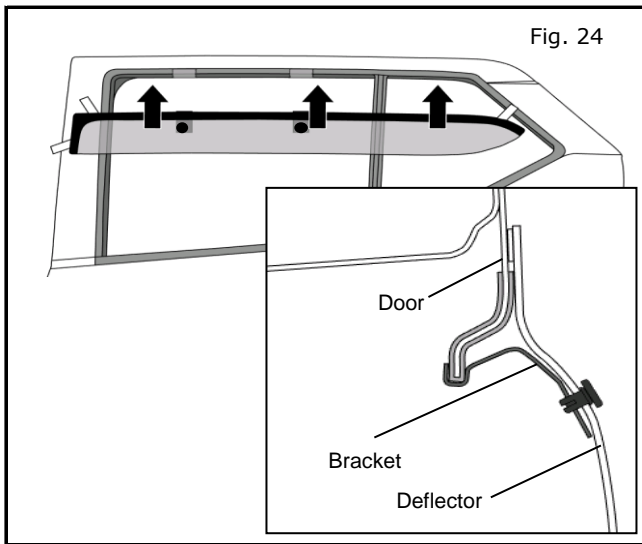
Fig. 23



### **⚠ CAUTION**

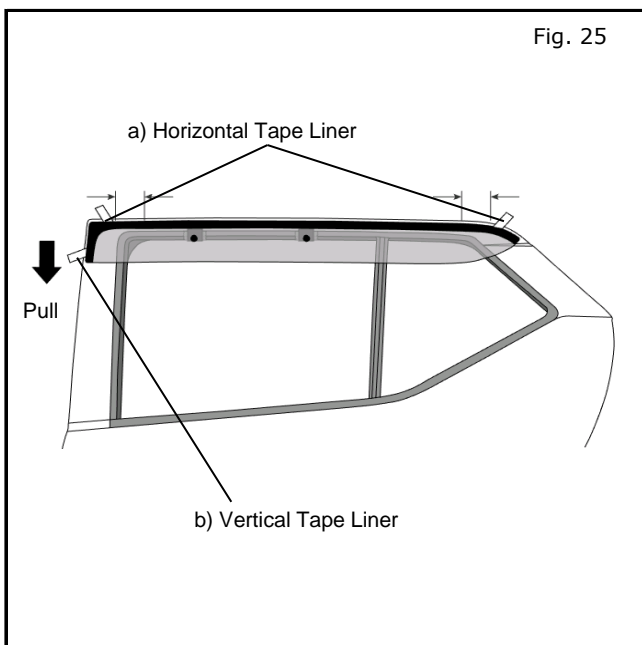
**Confirm push rivet is fully compressed against deflector.**

Fig. 24



26) Attach deflector to door by sliding brackets onto door flange and align deflector as per Step 21.

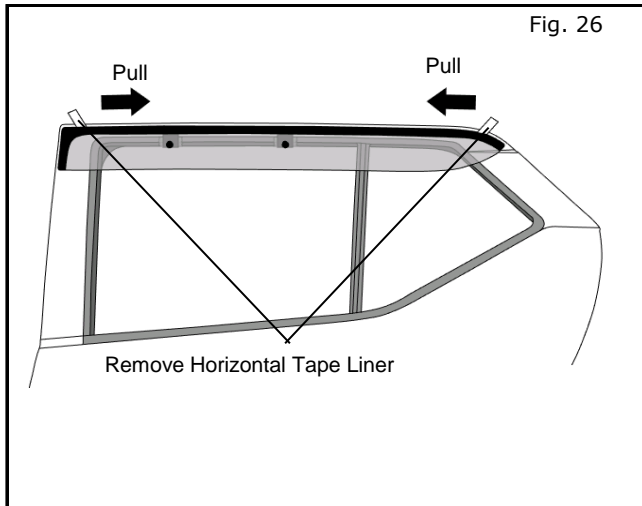
Fig. 25



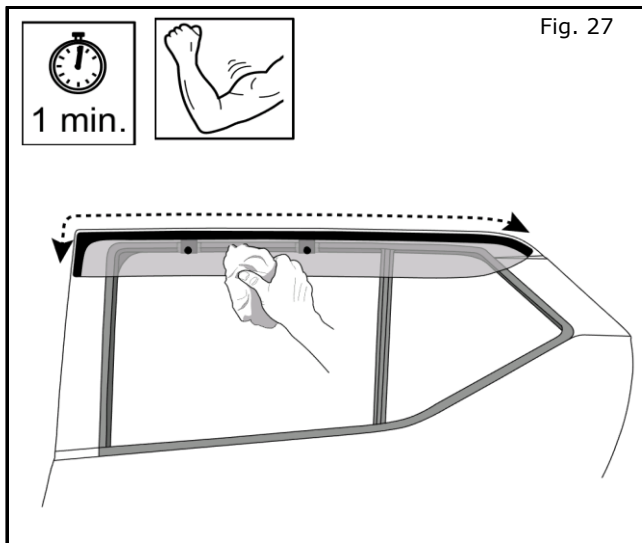
27) Tape Liners:

- Peel horizontal tape liner approximately 2 inches.
- Remove vertical tape liner and tack deflector in place.

## INSTALLATION PROCEDURE

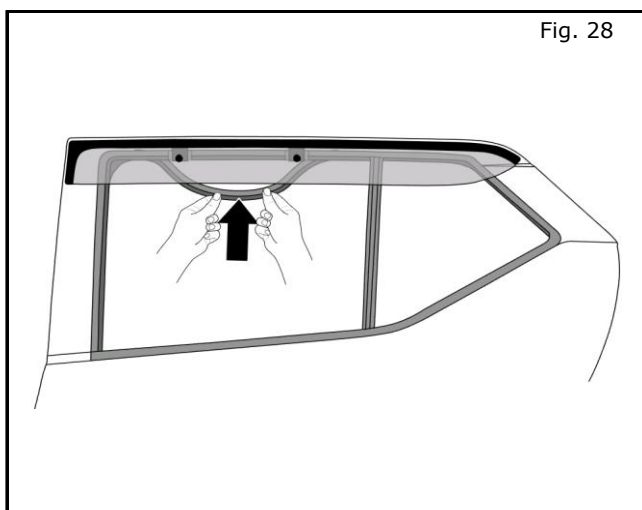


28) Remove horizontal tape liner completely.



29) Using a clean dry rag, apply at least 15lbs of force along tape length.

**NOTE: To ensure proper adhesion, apply force to each piece for 1 minute.**



30) Replace rubber weather strip and make sure it is fully seated.

31) Raise and lower window glass several times to make sure seal is seated.

32) Repeat all previous steps for right hand side of vehicle.