



GENUINE PARTS

INSTALLATION INSTRUCTIONS

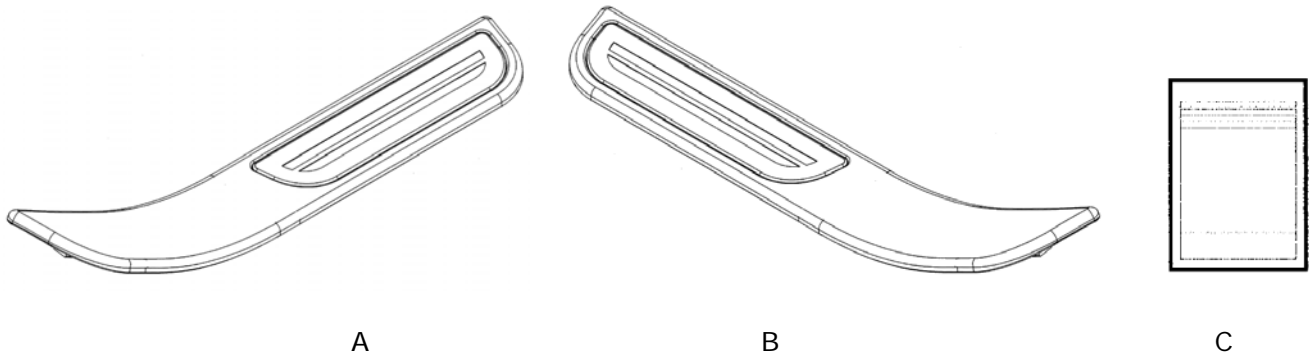
1. DESCRIPTION: Aluminum Kick Plate - Rear

2. APPLICATION: Altima (2010)

3. PART NUMBER: 999M1 UT100BK Black
999M1 UT100GY Gray
999G6 UW020 Beige

4. KIT CONTENTS:

Item	QTY	Description
A	1	Rear LH Kick Plate Assembly
B	1	Rear RH Kick Plate Assembly
C	1	Installation Instructions Replacement Template



5. TOOLS REQUIRED:



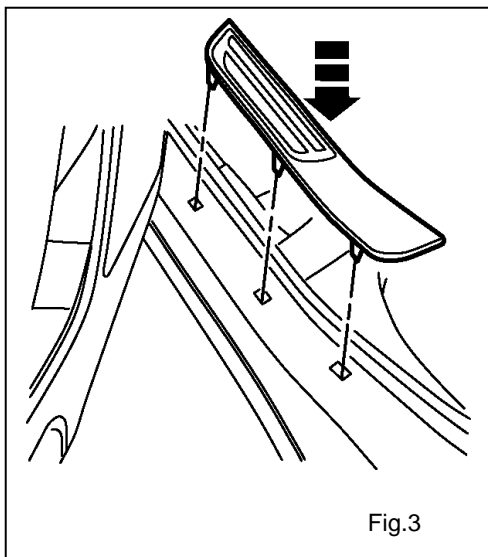
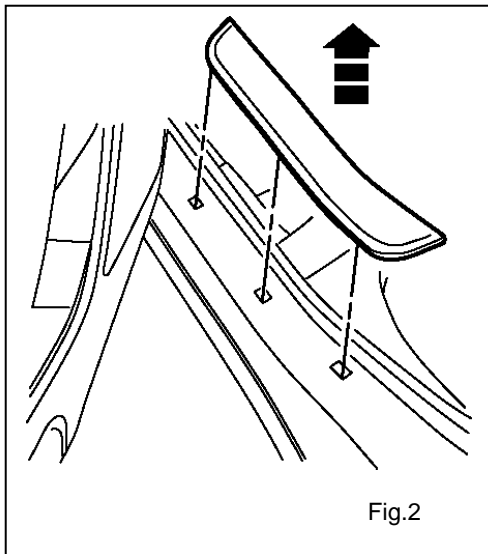
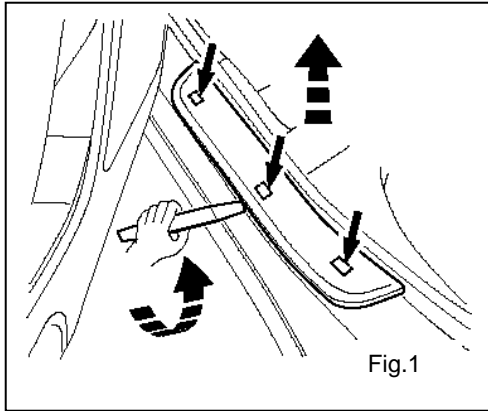
Nylon Trim Removal Tool
Cloth

6. PRE-INSTALLATION CAUTIONS / NOTES:

- Parts are unique (RH / LH).
- Ensure that the kick plate is properly installed with all fasteners snapped in.
- Place these instruction sheets in vehicle glove box for future reference.

INSTALLATION INSTRUCTIONS – ALUMINUM KICK PLATE

6. INSTALLATION PROCEDURE



- 1) Open Driver side rear door.
- 2) Gain access to doorsill rocker opening
- 3) Remove Kick Plate by prying up the kick plate with prying tool. Working towards the rear, insert tool under Kick Plate at each attachment location and twist tool to release snap. Refer to Fig.1
- 4) Discard the original Kick Plate. Refer to Fig.2
- 5) Clean the doorsill rocker opening with a clean rag
- 6) Align the Kick Plate (Item B) trim clips with the three mounting holes along the doorsill opening. Once aligned, press down on the top of the Kick Plate (Item B) to secure. A click sound will occur when properly fastened. Refer to Fig.3
- 7) Repeat steps on opposite side.