



GENUINE PARTS

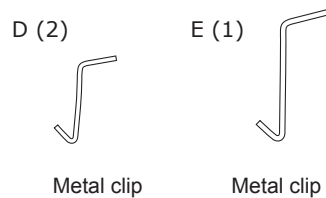


INSTALLATION INSTRUCTIONS

- 1. DESCRIPTION:** Sunroof Wind Deflector
- 2. APPLICATION:** Infiniti QX56, Nissan Titan, Nissan Armada
- 3. PART NUMBER:** 999D4 3U001

4. KIT CONTENTS:

Item No.	Qty	Description
A	1	Sunroof wind deflector
B	3	Large abrasive resistant tape
C	3	Small abrasive resistant tape
D	2	Metal clips
E	1	Tall center metal clip
F	3	M5 Allen screws
G	3	M5 Flat washers
H	3	Nuts
I	1	Alcohol wipe



5. TOOLS REQUIRED:

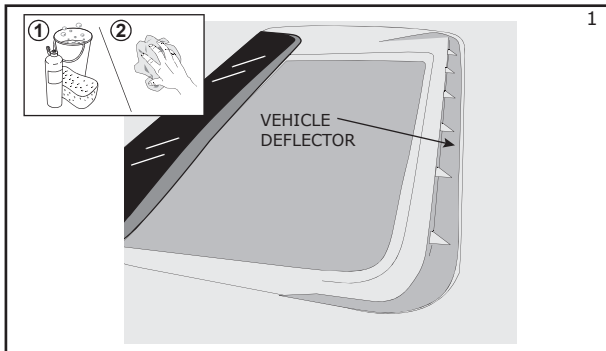
- Masking tape
- Non-permanent soft-tipped Pen or Pencil
- 4mm hex drive (allen wrench)
- 10 mm wrench
- Clean rag

6. PRE-INSTALLATION CAUTIONS / NOTES:

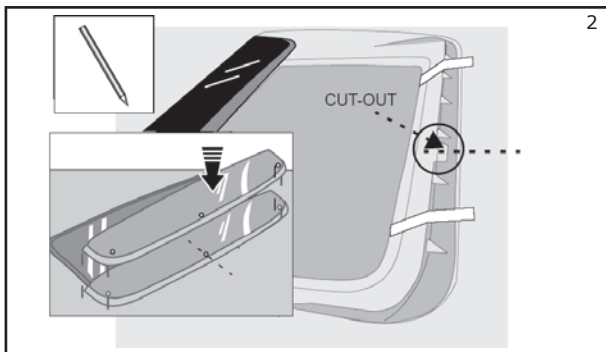
- Clean Sunroof wind deflector with mild soap and water using a soft cloth or chamois.
- Do not over tighten screws.

INSTALLATION INSTRUCTIONS - Sunroof Wind Deflector Kit

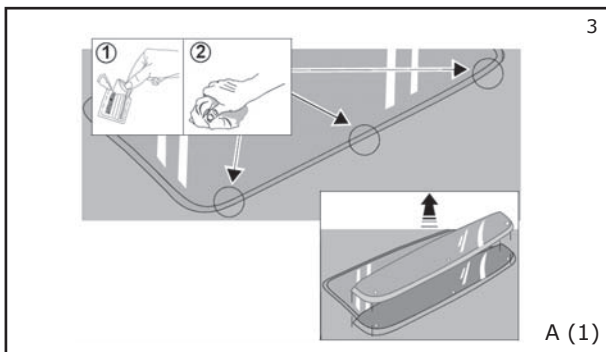
7. INSTALLATION PROCEDURE:



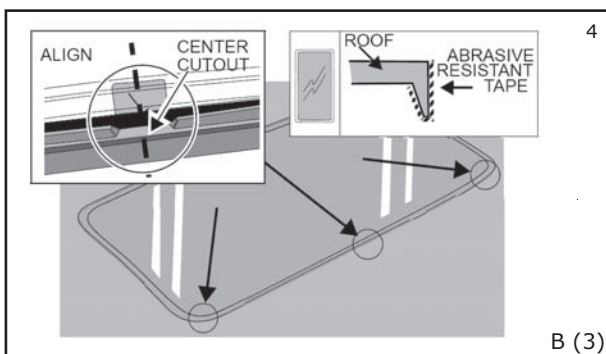
1. Clean installation area thoroughly and open the sunroof window.
2. Locate the vehicle deflector at the front of the sunroof opening – this is the flap that rises when the sunroof glass is opened. Use Masking tape to hold down the vehicle deflector during the installation.



3. Trial fit the sunroof wind deflector onto the roof by aligning the center hole in the sunroof wind deflector with the existing cutout located in the vehicle deflector.
4. Note the holes in the sunroof wind deflector. Using a pencil or soft-tipped, non-permanent marker, scribe a mark on the edge of the sunroof opening at the three hole locations.

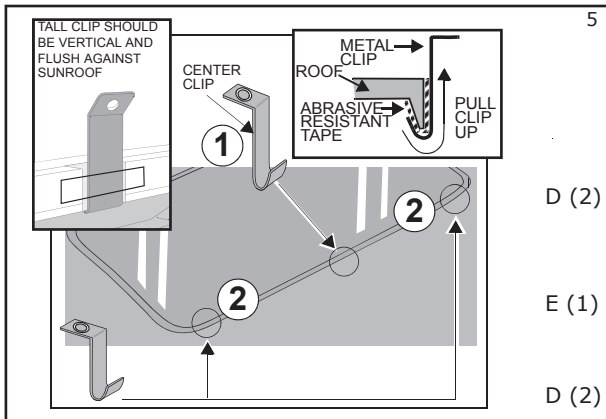


5. Remove the sunroof wind deflector, clean the roof at the 3 marked areas with alcohol wipe provided and wipe with a clean dry cloth.



6. Adhere the 2 large pieces of tape to the roof at the two outer areas.
7. Adhere the large center abrasive resistant tape aligned to the exact center of the plastic cutout in the factory deflector area.

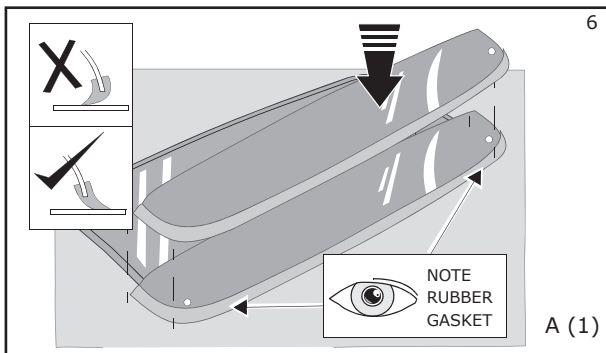
INSTALLATION INSTRUCTIONS - Sunroof Wind Deflector Kit



8. Identify the center metal clip, item E, as the longest of the three clips. Install this clip over the center abrasive resistant tape and hold it in place with masking tape. Install the remaining metal clips over the outer tape and hold in place with masking tape. Be careful not to bend the clips during installation. The clips should remain straight against the sunroof opening flange.

CAUTION

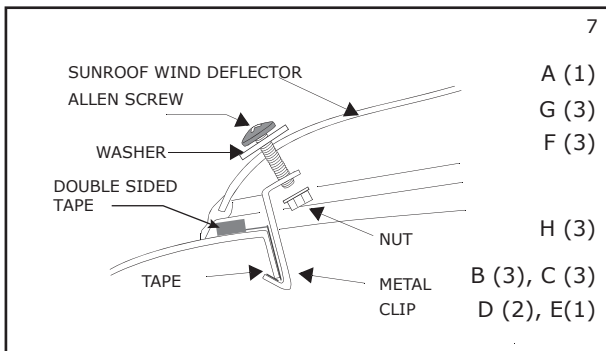
- Failure to ensure that the clip rests on the abrasive resistant tape may result in permanent paint damage. Reposition tape if necessary.



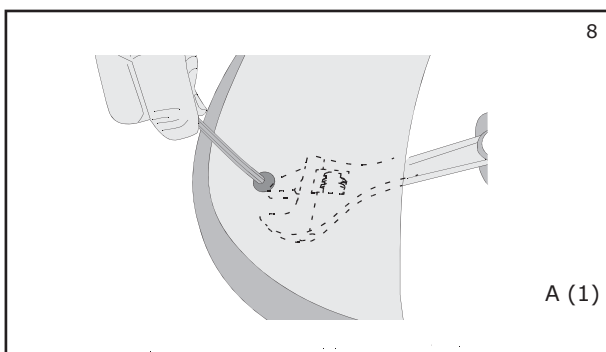
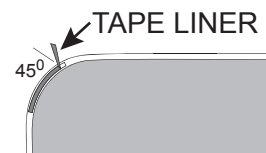
9. Peel back approx. 50mm (2") of tape liner from EACH of the tape sections and fold at 45° to outside of sunroof wind deflector. Re-fit the sunroof wind deflector and hand-tighten to the clips using the Allen screws, washers and nuts provided. Make sure the rubber gasket is not folded under.



NOTE: The sunroof wind deflector will want to sit off the roof surface at each corner. This is designed into the part to ensure proper tension of the part to vehicle roof.

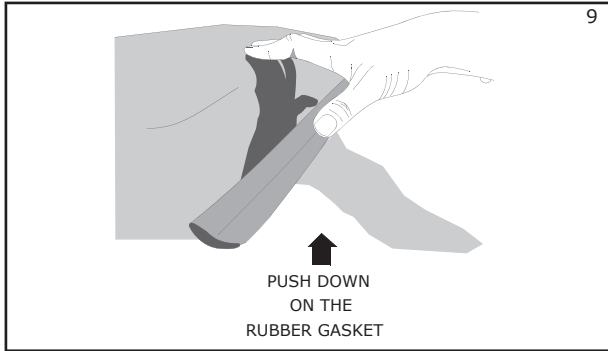


10. Check that the bracket is vertical and stays flat against sunroof opening flange. At this stage, slight adjustment of the clip position may be needed. Adjust as required to ensure the clips are vertical and flat against sunroof opening flange. Ensure the clips are still located on the abrasive resistant tape. Peel remaining tape liner, entirely removing it from the rubber gasket.

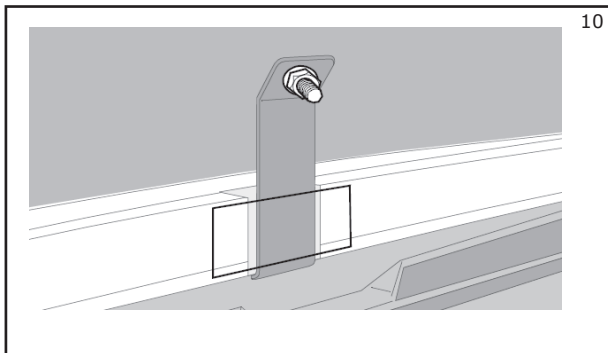


11. Using an Allen key and a wrench, start to tighten one end while at the same time applying pressure to the top front corner near the screw to ensure the rubber gasket is flat against the roof and not curling under itself. Do not tighten completely at this stage.
12. Repeat step 11 for the other side.
13. Check to ensure the clips have not moved and then tighten all three screws to 2.7Nm.

INSTALLATION INSTRUCTIONS - Sunroof Wind Deflector Kit



14. Push down on the rubber gasket with your thumb along the entire length to seat the rubber gasket correctly with the roof surface.



15. After installation is completed and all screws are properly torqued, remove the masking tape holding the vehicle deflector and clips. Clean the clip surface and sunroof opening flange with the alcohol wipe provided. Remove any residue with a clean, dry cloth. Adhere the small abrasive resistant tape to the three clip locations as shown.
16. Close the sunroof and confirm there is no interference with the clips or the deflector.