

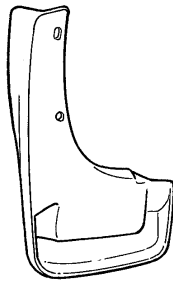


GENUINE PARTS

INSTALLATION INSTRUCTIONS

1. **DESCRIPTION:** Front Splash Guard Kit
2. **APPLICATION:** Armada
3. **PART NUMBER:** 999J2 2U00003
4. **KIT CONTENTS:**

Item	QTY	Description	Part Number
A	1	Splash Guard - Front Right	63850 ZQ00A
B	1	Splash Guard - Front Left	63851 ZQ00A
C	1	Installation Instructions Replacement Template	999V2 AW000



A



B

STEP Important: Read Before Installation!

Dealer Installation Recommended.

WARNING

To avoid serious personal injury or property damage, obtain the installation instructions before attempting to install this accessory. The installation instructions provide the necessary procedures for a safe installation.

CUSTOMER INTERNET DOWNLOAD INSTRUCTIONS: Customers can obtain installation instructions for Infiniti or Nissan vehicles at www.Infiniti-TechInfo.com or www.Nissan-TechInfo.com respectively. From the home page, click on "Trade Publications" and select "Accessory Installations". Select your model and model year, then locate the instructions for your accessory.

DEALER ASSIST DOWNLOAD INSTRUCTIONS: Dealership technicians can locate the installation instructions for this accessory in **ASIST/INFO TOOLBOX**. Always download and use latest version of the installation instructions.

Installation Instructions Replacement Template 999V2 AW000 Rev. 06/10/08

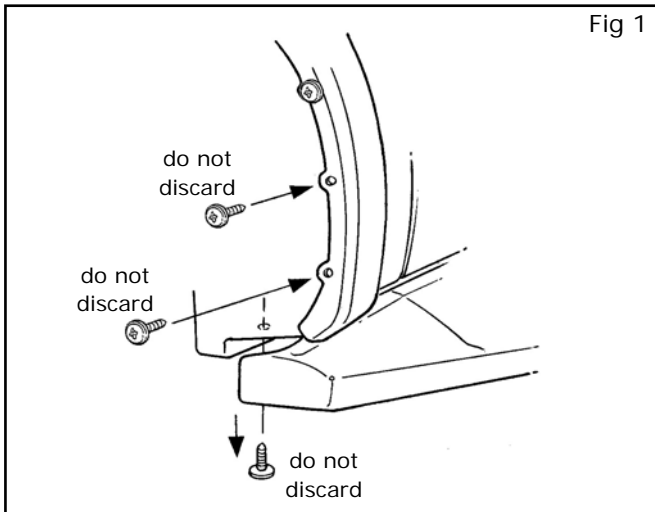
C

5. **TOOLS REQUIRED:**
 - clean rag
 - mild soap/water mixture
 - #2 phillips screwdriver

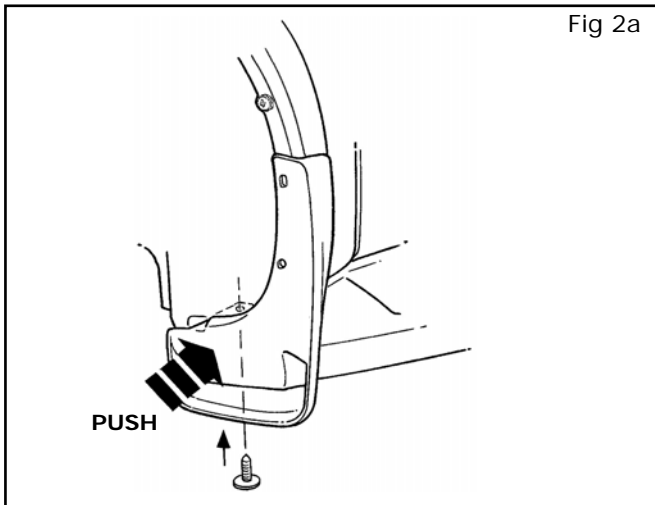
6. **PRE-INSTALLATION NOTES:**
 - These installation instructions are for the left side of the vehicle; the same procedure applies to the right side.

INSTALLATION INSTRUCTIONS - Front Splash Guard Kit

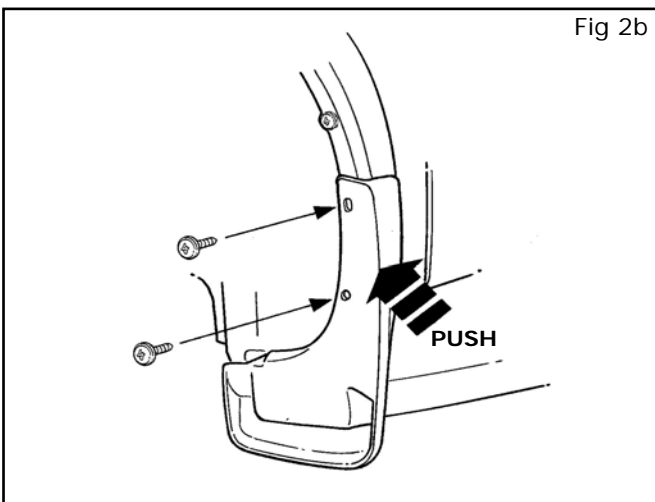
7. INSTALLATION PROCEDURE:



- 1) Remove existing screws.
 - a) Remove existing screws (3 locations).
DO NOT DISCARD.
 - b) Clean installation surface.



- 2) Install front splash guard.
 - a) Align splash guard to vehicle.
 - b) Push reward on front of splash guard.
 - c) Install existing screw through hole in tab.



- d) Push inward and upward.
- e) Install existing screws.

NOTE:
HOLD THE SPLASH GUARD TIGHT TO THE VEHICLE WHILE TIGHTENING THE SCREWS TO ENSURE NO GAP OCCURS BETWEEN FENDER AND SPLASH GUARD.