



GENUINE PARTS

INSTALLATION INSTRUCTIONS

1. DESCRIPTION: LOWER FASCIA ACCENT

2. APPLICATION: NISSAN CUBE

3. PART NUMBERS: 999M1 7W000

4. KIT CONTENTS: SEE BELOW

ITEM	QTY	DESCRIPTION
A	1	Front Fascia Accent
B	1	Installation Instructions Replacement Template
C	2	Alcohol Wipes

A.



B.



C.



5. TOOLS REQUIRED: None.

6. PRE-INSTALLATION CAUTIONS / NOTES:

Read the installation sheet and check the entire kit for possible damage or defects before performing any work.

Dry fit all parts to become familiar with proper placement.

Clean all areas to be covered with the exterior trim by using Alcohol wipe and allow to dry for 2 minutes (recommended). When cleaning, constantly use a new section of towel as you move from area to area.



CAUTION

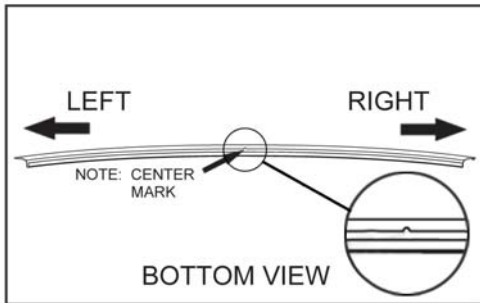
- Do not grab the tape side with your fingers to avoid contaminating the tape & reducing adherence strength.
- These parts are to be installed when the ambient temperature is between 60°F - 80°F (16°C - 26°C).
- Do not wash or expose the vehicle to a wet environment for 24 hours after installing the appliqué .
- The tape will set in 15-20 seconds after the installation.
- Do not reposition part once the tape has started to set/adhere to vehicle.



GENUINE PARTS

INSTALLATION INSTRUCTIONS – FRONT FASCIA ACCENT

Fig. 1



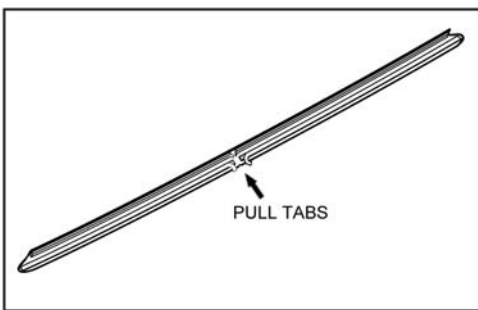
7. Installation of the Front Fascia Accent

****NOTE:** Always dry fit parts to ensure proper fit, alignment and component location.

1.1 Establish left and right side as well as center point of Front Fascia Accent during dry fit (**Fig. 1**).

****NOTE:** 4 pieces of tape have pull tabs located at center (**Fig. 2**)

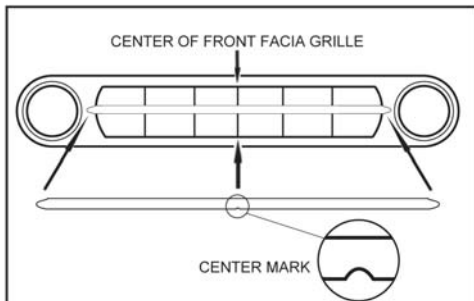
Fig. 2



1.2 Carefully place part in position by aligning center of the Front Fascia Accent with the center of the Front Fascia Grille, ensuring left and right side are properly aligned. Be sure that pull tabs are accessible. (**Fig. 3**).

****NOTE:** The cut out for the center mark on the front fascia accent is on the bottom of the part and is to be used for alignment to the center of the fascia grille (**Fig. 1&3**).

Fig. 3



1.3 Hold Fascia Accent at center with one hand and pull the bottom right tape tab with the other hand. Repeat same process with the bottom left tape tab. Apply pressure to Fascia Accent as the tape liner is peeled back (**Fig. 4**).

1.4 Repeat Step 1.3 for top tape strips.

1.5 Apply firm and even pressure to ensure tape adhesion (**Fig. 5**).

Fig. 4

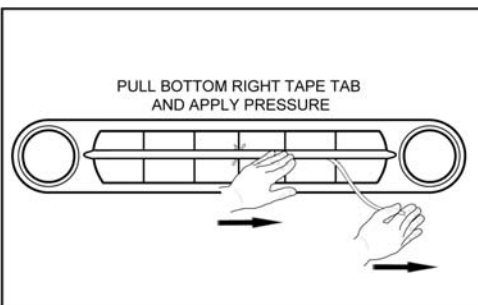


Fig. 5

