



GENUINE PARTS

INSTALLATION INSTRUCTIONS

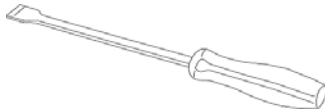
1. **DESCRIPTION:** Chrome Grille
2. **APPLICATION:** Nissan Titan
3. **PART NUMBER:** 999G7 WV000
4. **KIT CONTENTS:** Pictures below are not to scale

Item	Qty	Description
A	1	Grille

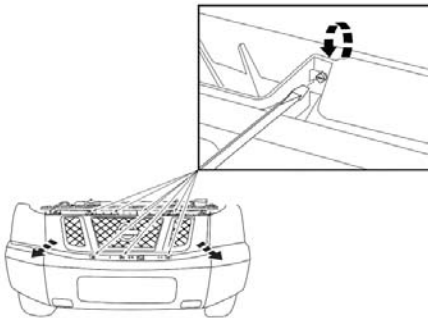


5. TOOLS REQUIRED:

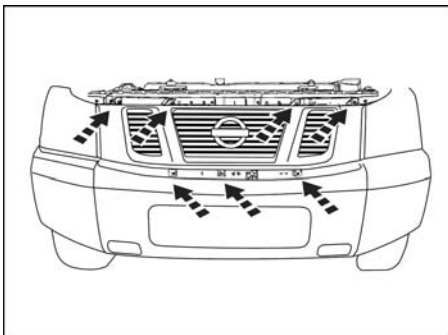
Flat Head Screw Driver - Long



6. INSTALLATION PROCEDURE:



- 1) Open the hood and remove the production grille by turning 7 clips counter-clockwise $\frac{1}{4}$ turn and then pull grille forward.



- 2) Install grille assembly from front of vehicle. Push clips into bolster and headlamps. Grille has 7 clips (4 top, 3 bottom) to the bolster and 4 clips (2 right, 2 left) to the headlamps.