



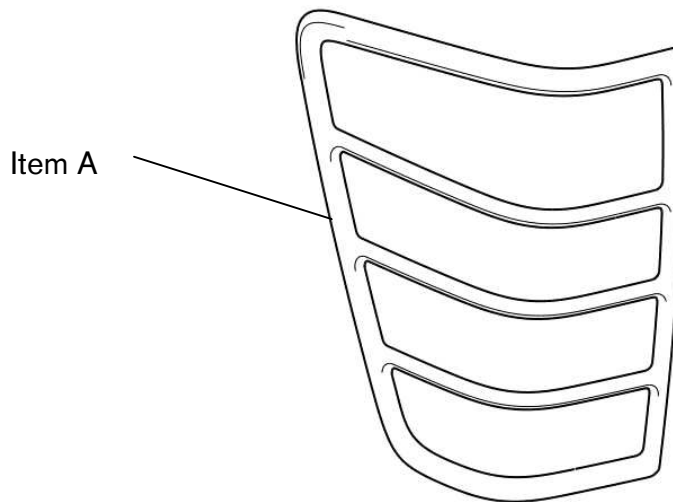
GENUINE PARTS

INSTALLATION INSTRUCTIONS

1. DESCRIPTION:	Tail Lamp Guard Kit
2. APPLICATION:	Titan
3. PART NUMBER:	999M1 WQ200

4. KIT CONTENTS:

Item	QTY	Description	Part Number	Service Part Number
A	1	Tail Lamp Guard Left Hand	999M1 WQ201	999M1 WQ201
B	1	Tail Lamp Guard Right Hand	999M1 WQ202	999M1 WQ202
C	1	Alcohol Wipe		

**5. TOOLS REQUIRED:**

No special tools required

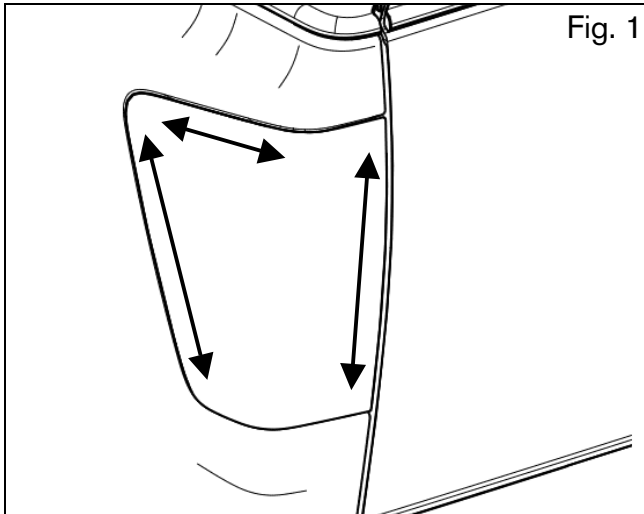
6. PRE-INSTALLATION CAUTIONS / NOTES:

The vehicle must be at ambient condition (minimum 70°F/20°C) for a period of four (4) hours.

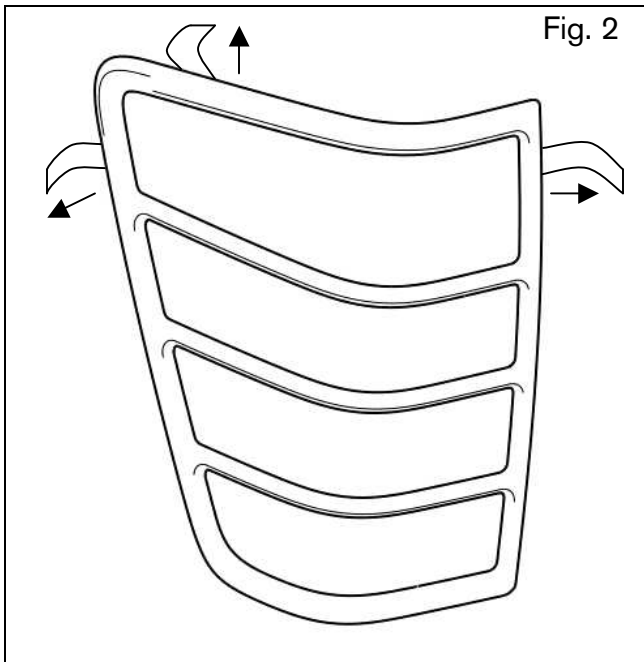
The Alcohol Wipe **MUST BE** used per the installation instructions.

Tail Lamp Guard Kit

7. INSTALLATION PROCEDURE:

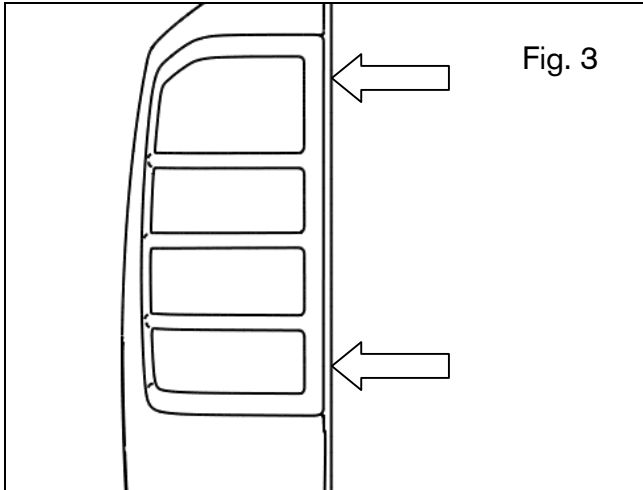


1. Clean each vehicle Tail Lamp thoroughly with soap and water to remove any dirt or debris and allow to dry.
2. Fig 1. Use one Alcohol prep pad to clean the mounting surface of each Tail Lamp.

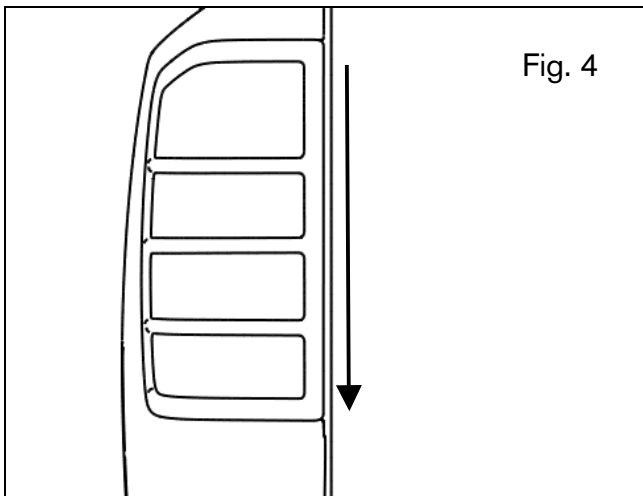


3. Fig 2. Pull the tape liner diagonally to expose approximately 1" of tape. Fold the liner over the outside edge of the part. Tape the end to decorative surface.

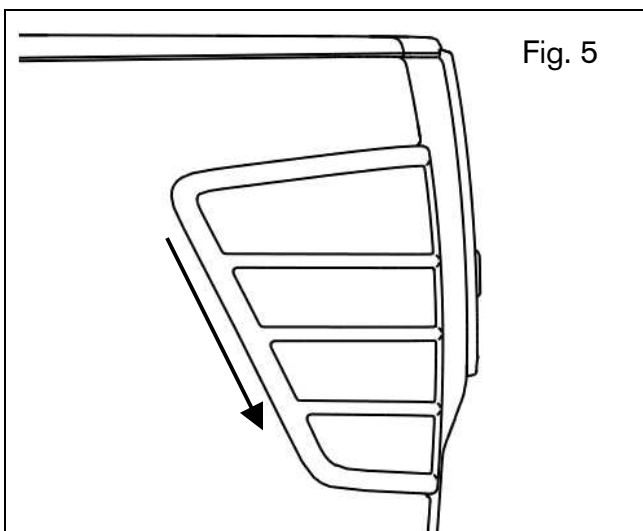
Tail Lamp Guard Kit



4. Fig. 3. Align the inboard vertical edge of the Lamp Guard to the Tail Lamp ensuring uniform spacing to the Tailgate. Align the Lamp Guard vertically ensuring even overlap to the top and bottom of the lens.



5. Fig. 4. Holding the outboard edge, remove the tape liner from the inner face by pulling the tab down.
6. Lightly press the inboard edge to the Tail Lamp surface.
7. Check the alignment of the remaining three (3) edges.



8. Fig. 5. Remove the tape liner from the outer face by pulling the tab down.
9. Check the alignment of the remaining edges.

Tail Lamp Guard Kit

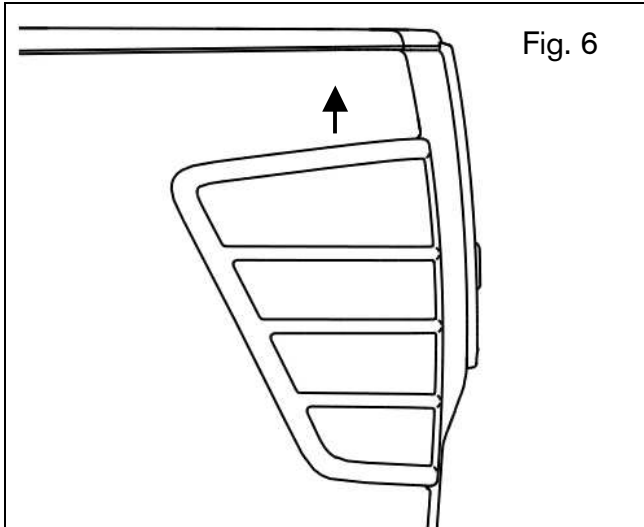


Fig. 6

10. Fig. 6. Remove the tape liner from the upper face by pulling the tab up.

11. Lightly press the outboard edge to the Tail Lamp surface.

12. Check the alignment of the Lamp Guard.

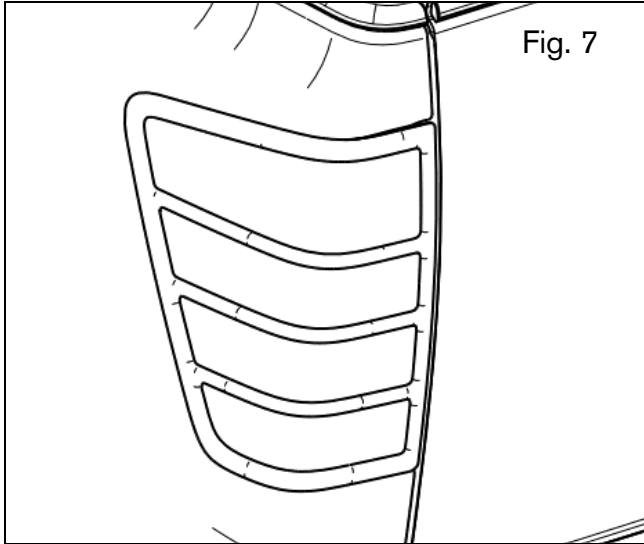


Fig. 7

13. Fig. 7. Uniformly press the guard to the Lamp surface and hold for thirty (30) seconds.

14. Do not wash vehicle, tug or pull Lamp Guard for 24 hours.