



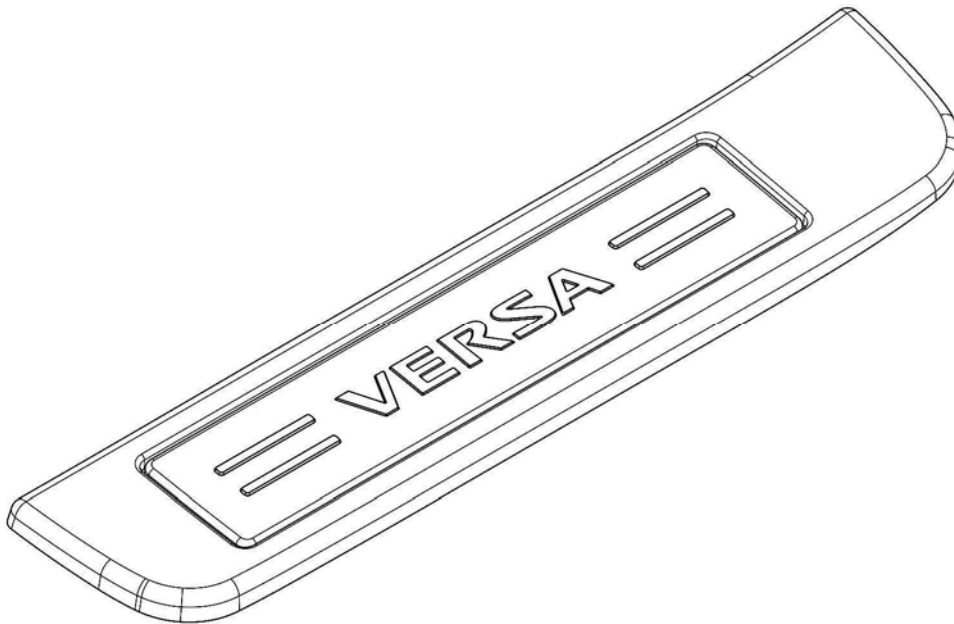
GENUINE PARTS

INSTALLATION INSTRUCTIONS

1. DESCRIPTION:	Aluminum Kick Plate
2. APPLICATION:	MY2007 Versa
3. PART NUMBER:	999M1 4U004

4. KIT CONTENTS:

Item No.	Qty	Description	Part Number
A	1	Right Rear Kick Plate Assembly	999M1 4U004RH
B	1	Left Rear Kick Plate Assembly	999M1 4U004LH
C	1	Installation Instructions Replacement Template	999V2 AW000



A – Left Rear Kick Plate Assembly is shown. Right Side is symmetrical.

5. TOOLS REQUIRED:

Nylon Removal Tool (762053)
Cloth

6. INSTALLATION PRECAUTIONS AND NOTES:

- 1) The following chemicals may damage Kick Plate Assembly if exposed
 - a) Gasoline
 - b) Kerosene

Install this product while observing all warnings and precautions stated in this manual.

INSTALLATION INSTRUCTIONS – Aluminum Kick Plate

7. INSTALLATION PROCEDURE

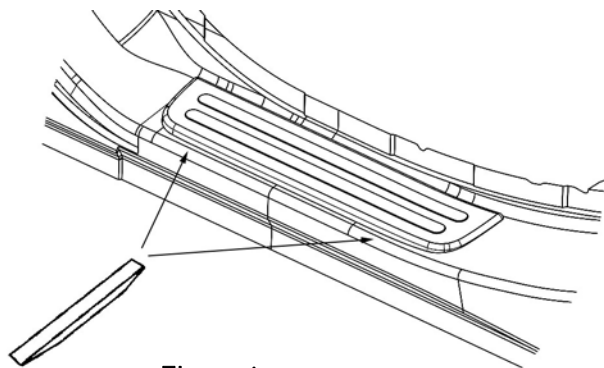


Figure 1

1. Remove left side plastic kick plate from body.
 - a) Pry up at each clip location (2) with Nylon Removal Tool. (Figure 1)
 - b) Lift the part up to remove.
 - c) Discard Plastic Kick Plate.

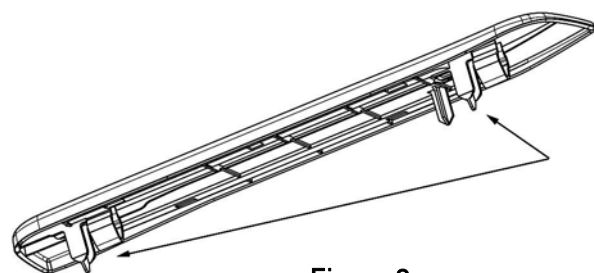


Figure 2

2. Align the 2 clips (Figure 2) on the aluminum kick plate assembly with the 2 body holes. (Figure 3)

3.
 - a) Cover Aluminum Kick Plate Assembly with a cloth to prevent damage.
 - b) Press down on each end of the part to engage the 2 clips. (Figure 4)

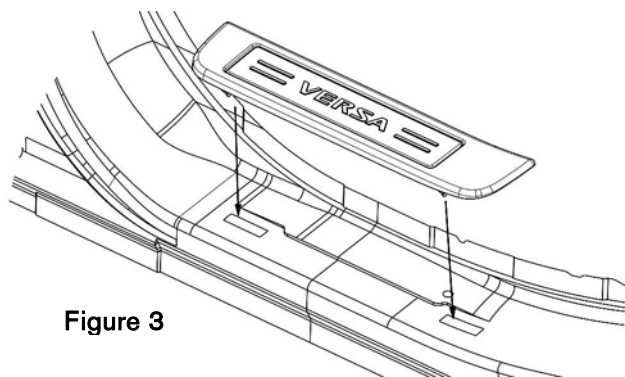


Figure 3

4. Repeat on other side of car.

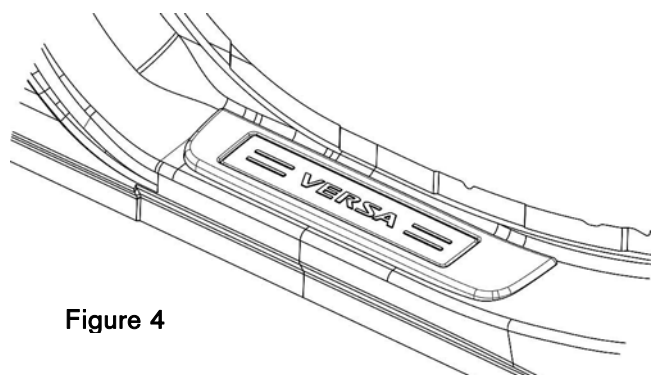


Figure 4