



GENUINE PARTS INSTALLATION INSTRUCTIONS

1. DESCRIPTION: Rear Seat Covers

2. APPLICATION: Titan King Cab and Crew Cab

3. PART NUMBER: 999N4 WQ1CC and 999N4 WQ1KC

4. KIT CONTENTS:

<u>Item No.</u>	<u>Qty</u>	<u>Description</u>
1)	1	Back Seat Cover Back, 60 Side
2)	1	Back Seat Cover Back, 40 Side
3)	1	Back Seat Cover Bottom, 60 Side
4)	1	Back Seat Cover Bottom, 40 Side
5)	2	Headrest (for cloth seats)
6)	2	Headrest (for leather seats)
7)	1	Installation Instructions Replacement Template

5. TOOLS REQUIRED:

- None necessary

6. INSTALLATION PRECAUTIONS / NOTES:

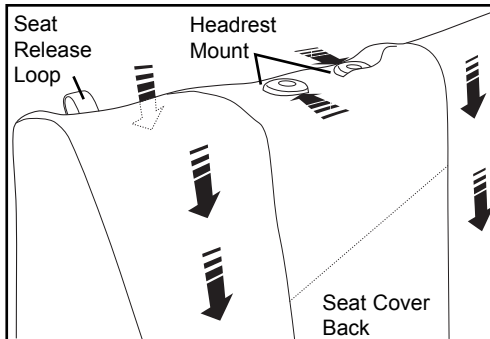
- 1) The area to be covered by the seat cover must be free of dirt. The underside surface of the seat cover must be especially clean.
- 2) Both the seat and the seat cover must be completely dry. If seat cover gets wet, remove and allow to dry completely.
- 3) **WARNING:** Manufacturer will not be responsible for damage to product due to accident or misuse.

CARE OF SEAT COVER:

- 1) To clean the seat cover, use half the amount of recommended mild detergent.
- 2) Hand wash in cold water using NO bleach.
- 3) After washing, line dry completely. Do not machine dry!

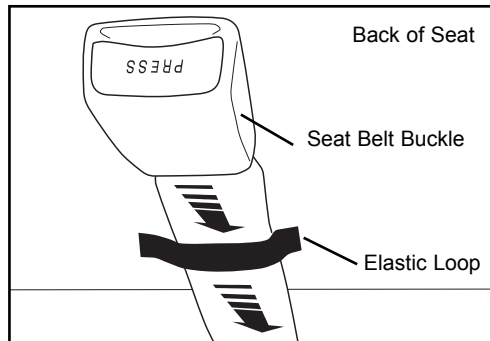
INSTALLATION INSTRUCTIONS - Seat Covers

7. INSTALLATION PROCEDURE:



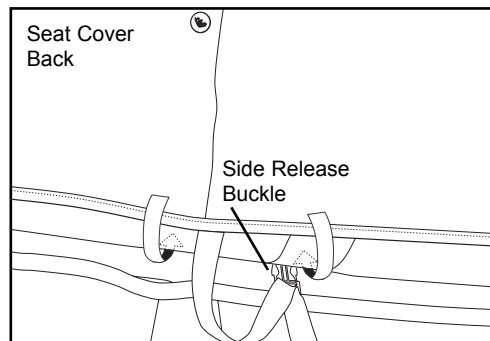
Seat Cover Backs

1. Starting on 60 side seat, release seat back. Remove headrests and slide top of cover back onto seat back. Tuck seat cover under headrest mounts.

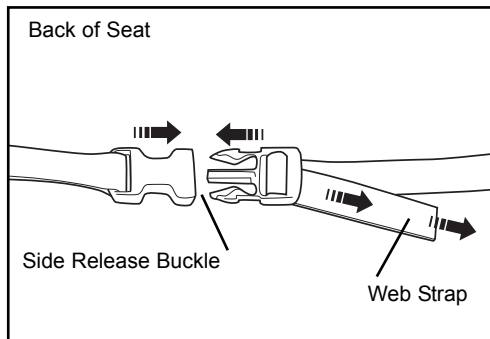


⚠ CRITICAL STEP

2. The 3 Seat belt buckles must be pushed back through the elastic loops attached to the seat back, before installing the seat covers.

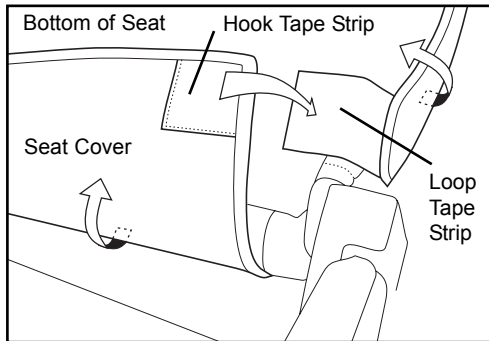


3. Slide rest of seat cover onto seat back. Push web straps with side release buckles between seat back cushion and seat bottom cushion. After pushing material and straps between the cushions, lower the seat back and pull the material tightly over the rear of the seat cushion.

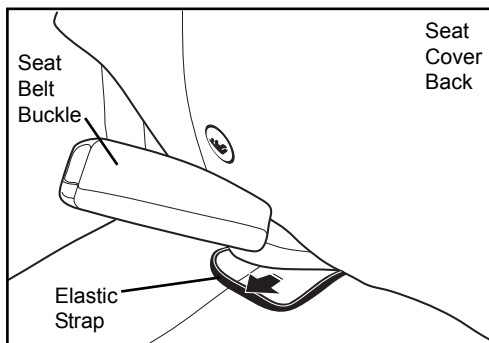


4. Adjust the seat cover over the cushion and attach the straps and hook and loop tape strips.

INSTALLATION INSTRUCTIONS - Seat Covers

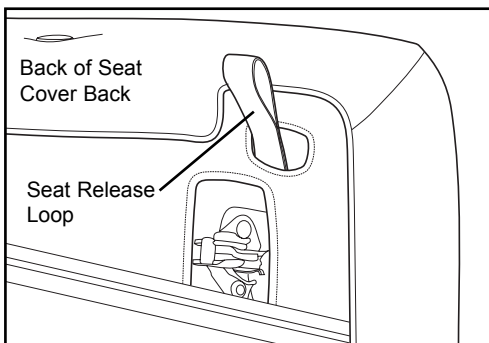


5. Attach hook and loop tape strips at back corners of seat covers. Adjust seat cover back as needed insuring seat back release loop is not obstructed by seat cover.

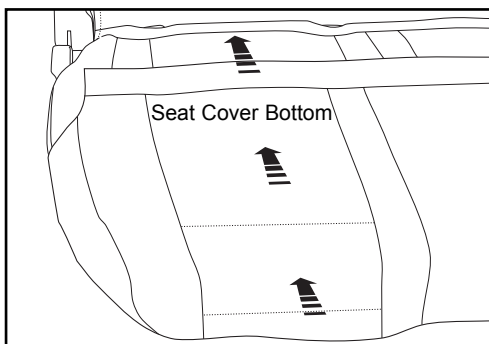


⚠ CAUTION

6. To assure seat belt buckles will not fall behind the seats, locate the elastic strap behind the slit in the seat cover and pull the seat belt buckles through the elastic as shown.



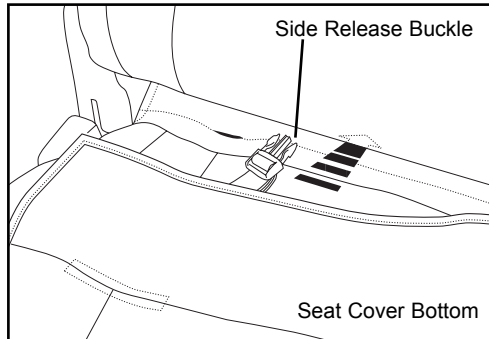
7. Make sure that the seat release loop located on the back of the seat is exposed. The seat cover must not interfere with the seat release operation.
8. Repeat steps 1 through 7 on 40 side seat back.



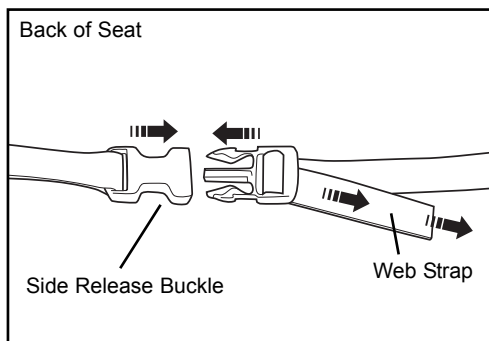
Seat Cover Bottoms

9. Starting on 60 side seat, release seat bottom. Slide seat cover onto seat bottom.

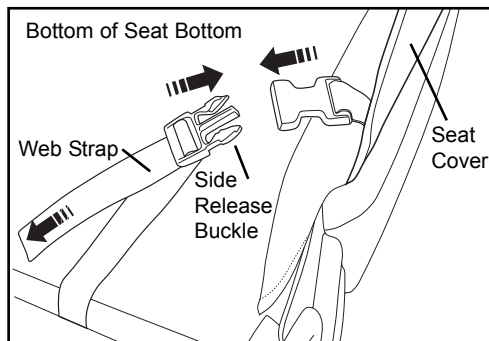
INSTALLATION INSTRUCTIONS - Seat Covers



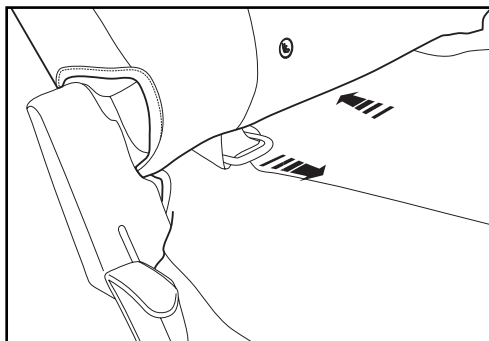
10. Push web straps with side release buckles between seat back cushion and seat bottom cushion.



11. With seat bottom lifted up, attach side release buckles and tighten web straps across center area.

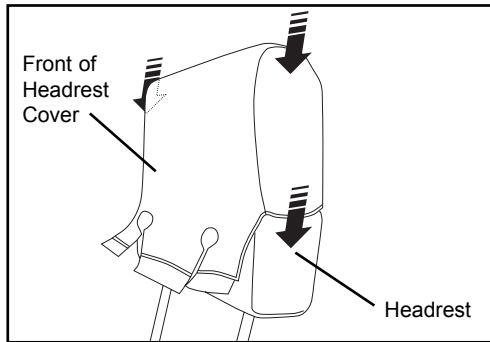


12. Locate web straps with side release buckles at both back corners. Attach side release buckles and tighten web straps to secure.



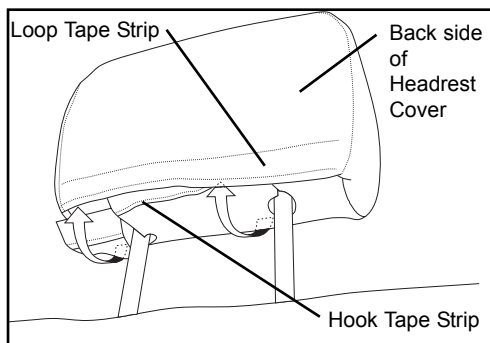
13. Adjust seat cover as needed. If vehicle will be used with child seats, the seat anchors are accessible through the slits in the seat covers. Locate the anchors through the slits in the seat covers and fit the seat cover slits over the anchors as shown for easy access to the anchors.
14. Repeat steps 9 through 13 on 40 side seat bottom.

INSTALLATION INSTRUCTIONS - Seat Covers



Headrests

15. Reinstall headrests. Two versions of headrest covers have been provided for either cloth or leather seats. Locate corresponding headrest covers for your vehicle. Slide headrest covers over headrests. The headrest holes must be on the side of the headrest that faces front.



16. Wrap side tabs underneath bottom of headrests and secure by attaching hook and loop tape strips. Adjust headrest covers as needed.