



GENUINE PARTS

INSTALLATION INSTRUCTIONS

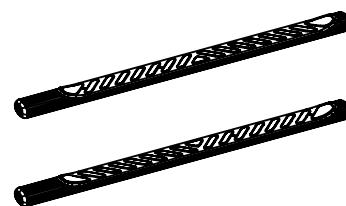
1. DESCRIPTION: **STEP RAILS**

2. APPLICATION: **Frontier King Cab (2005)**

3. PART NUMBER: **999T6 BR006**

4. KIT CONTENTS:

<u>Item No.</u>	<u>Qty</u>	<u>Description</u>	<u>Service Part Number</u>
1	1	Left Side Step	96101-ZP50A
2	1	Right Side Step	96100-ZP50A
3	3	Left Mounting Brace	96177-EA000
4	3	Right Mounting Brace	96176-EA000
5	12	M6 Bolt	81-56620-2F
6	12	M8 Nut	89-1108-2G
7	1	Installation Instructions Replacement Template	



5: TOOLS REQUIRED:

Ratchet	10-mm Socket	12-mm Socket	Eye Protection
Torque Wrench			

6. INSTALLATION PRECAUTIONS / NOTES:

- Study illustrations and read the instructions carefully before attempting assembly.
- Always wear safety glasses while working under any vehicle.
- Be sure Brackets marked "Left Side" are used on the Driver's side and Brackets marked "Right Side" are used on the Passenger's side.

INSTALLATION INSTRUCTIONS - STEP RAILS

7. INSTALLATION PROCEDURE

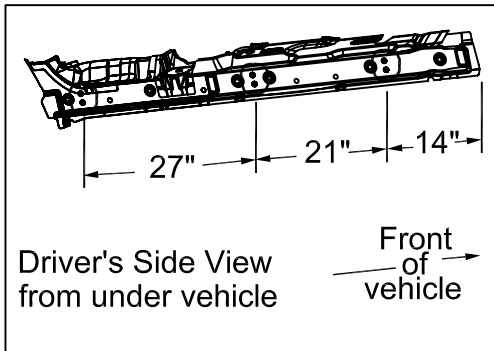


Fig. 1

1. Install Brackets - Driver's Side

a.) Locate studs on frame -

- Front set is approx. 14" from the front wheel well.
- Middle set is approx. 21" from the front set.
- Rear set is approx. 27" from the middle set.

b.) Ensure the studs are clean and that there is no body sealer or other material on the threads or on mounting surface.

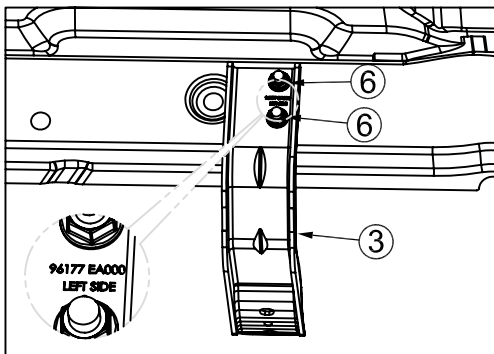


Fig. 2

c.) Locate one bracket to weld stud on body sill in the front location on the driver's side.

d.) Secure with two (2) M8 nuts, but do not fully tighten.

e.) Repeat for other two locations on driver's side.

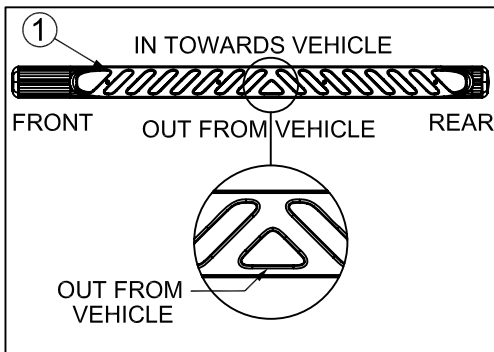


Fig. 3

2. Step Rail

a.) Position step rail on brackets with the mounting holes on the tube aligned with the mounting holes on the brace. Make sure the tube is oriented as shown in Fig. 3. The bottom edge of the triangle in the step pad faces away from the vehicle.

b.) Secure step rail to each bracket with two (2) M6 bolts, but do not fully tighten.

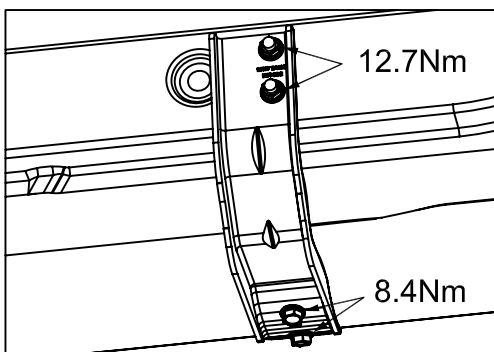


Fig. 4

3. Tighten Bolts

a.) Using the 12-mm socket, tighten the nuts holding the bracket to the frame to 12.7Nm (9.4 ft./lbs.; 113 in./lbs.)

b.) Using the 10-mm socket, tighten the bolts holding the step rail to each bracket to 8.4Nm (6.2 ft./lbs.; 75 in./lbs.)

4. Repeat above steps for Passenger's side, except use the right side brackets and rail.