



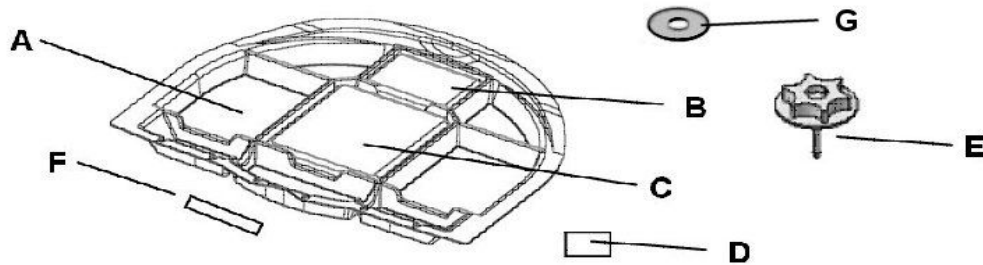
# GENUINE PARTS

## INSTALLATION INSTRUCTIONS

<b>DESCRIPTION:</b>	Trunk Sub floor Organizer
<b>APPLICATION:</b>	Maxima
<b>PART NUMBER:</b>	999C2 MV000

**KIT CONTENTS:**

Item	Qty.	Part Description	Service Part Number
A	1	Sub floor Organizer	999C2 MV001
B	1	First Aid Kit	999M1 VQ000
C	1	Emergency Road Kit	999M1 ST000
D	1	Sticker for Trunk	
E	1	Tire Tie Down Bolt	
F	2	Felt Tape	
G	1	Washer	
H	1	Installation Instruction Replacement Template	999V2 AW000



**TOOLS REQUIRED:**

- None

**PRE-INSTALLATION WARNINGS, CAUTIONS, CRITICAL STEPS, and NOTES:**

- Dealer Installation Recommended. Instructions may refer to Service Manual.
- To maintain the luster of your organizer, clean with a cloth as required using standard automotive vinyl, leather and upholstery cleaners or soap and water.

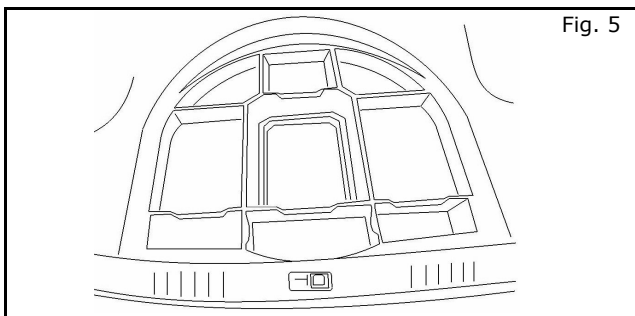
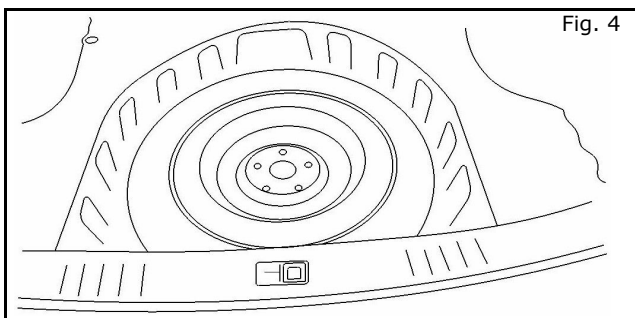
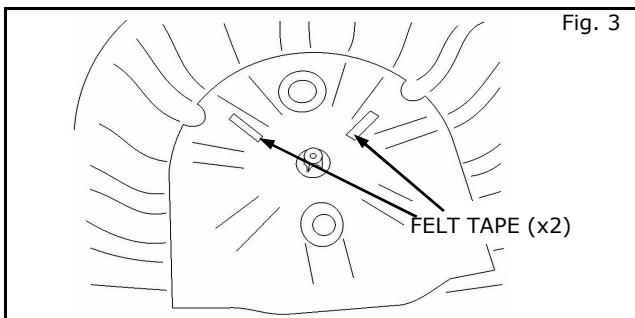
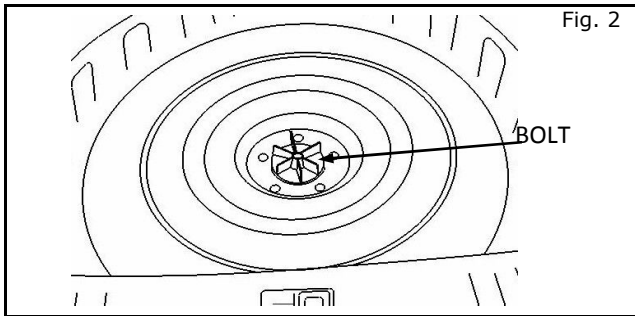
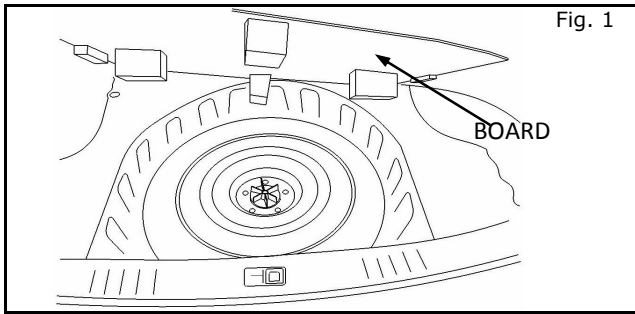
**⚠ WARNING**

- Your cargo organizer is designed to transport normal cargo contents.
- Flammable or dangerous materials should not be transported in your vehicle at any time.
- If any corrosive chemicals are spilled in your organizer it should be cleaned as described above.

**⚠ CAUTION**

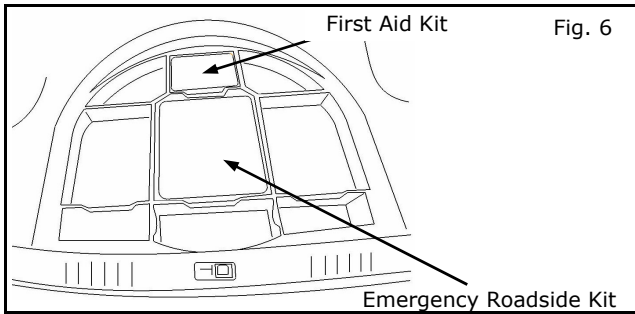
- Organizer does not provide load restraint.

## INSTALLATION PROCEDURE:

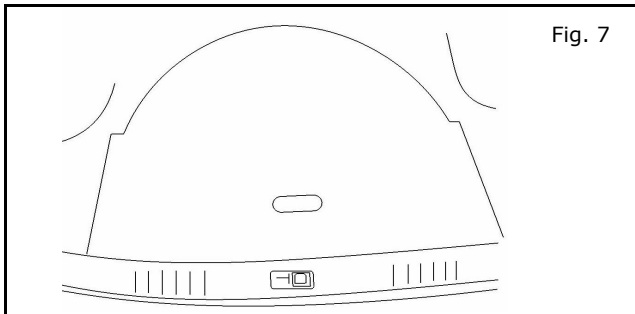


- 1) Move items in trunk to install organizer.
  - a) Lift trunk carpet.
  - b) Remove and discard board with foam spacers that cover spare tire.
- 2) Remove and discard vehicle tire tie down bolt.
- 3) Remove spare tire from well (not shown).
- 4) Remove felt backing and attach felt tape (item F) as shown to sub floor.
- 5) Flip spare tire over from original orientation and place it back in well.
- 6) Install washer (item G) and new tie down bolt (item E) provided and ensure tire has been secured.
- 7) Place organizer (item A) in tire well.

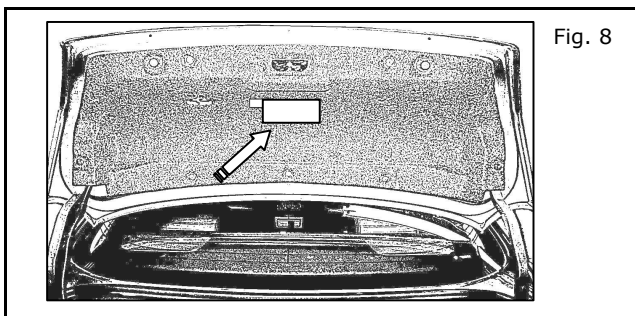
## INSTALLATION PROCEDURE:



- 8) Place first aid kit (item B) in forward pocket and emergency kit (item C) in center pocket.



- 9) Place new board (84960 9DF1A) over spare tire.
- 10) Place carpet in original position in trunk.



- 11) Place label item D on underside of trunk lid.