



GENUINE PARTS

INSTALLATION INSTRUCTIONS

DESCRIPTION: Rear Bumper Protector Kit

APPLICATION: Juke

PART NUMBER: 999T6 6X000

KIT CONTENTS:

Item	Qty.	Part Description	Service Part Number
A	1	Rear Bumper Protector	---

TOOLS REQUIRED:

- Clean, Lint-Free Wiping Cloth
- 100% Alcohol Solution
- Scale
- Tape

PRE-INSTALLATION WARNINGS, CAUTIONS, CRITICAL STEPS, and NOTES:

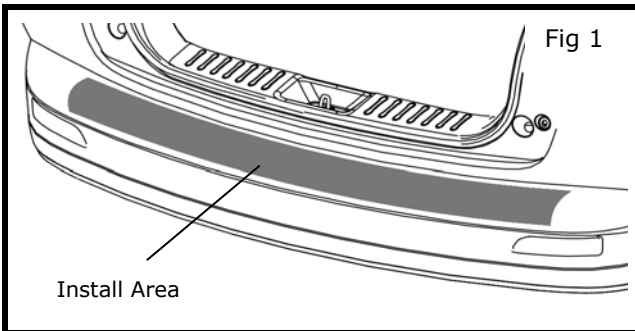
- Dealer Installation Recommended. Instructions may refer to Service Manual.

CAUTION

- Install the rear bumper protector when the ambient temperature is above 60°F (15°C).
- Do not wash or expose the vehicle to a wet environment for 24 hours after installing the rear bumper protector.

INSTALLATION PROCEDURE:

- 1) Clean vehicle thoroughly with soap and water to remove any dirt or debris and allow to dry.

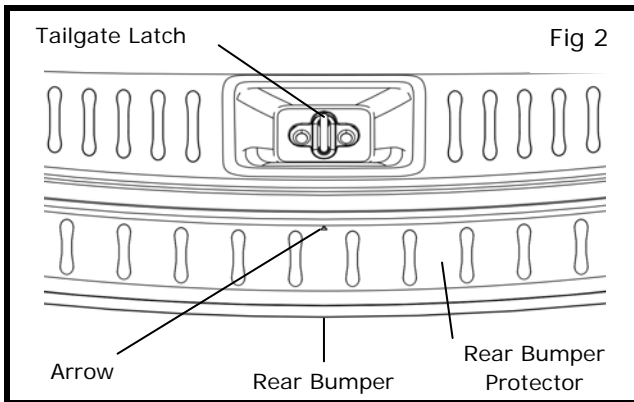


- 2) Rear bumper protector installation prep.
 - a) Open rear hatch.
 - b) Using a clean, lint-free cloth and 100% alcohol solution clean area of rear bumper where part will be installed.
 - c) Allow time to dry thoroughly.

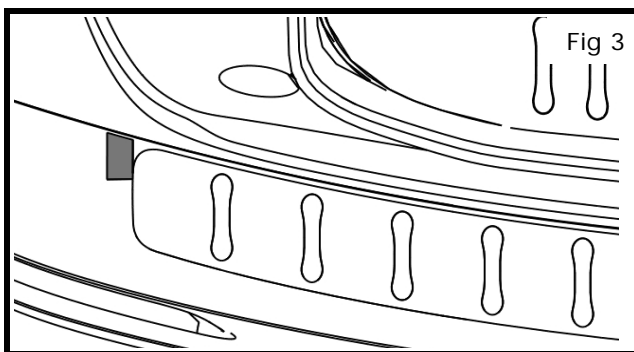
CAUTION

Failure to clean the mounting surface properly may cause the adhesive tape to have poor adhesion to the vehicle.

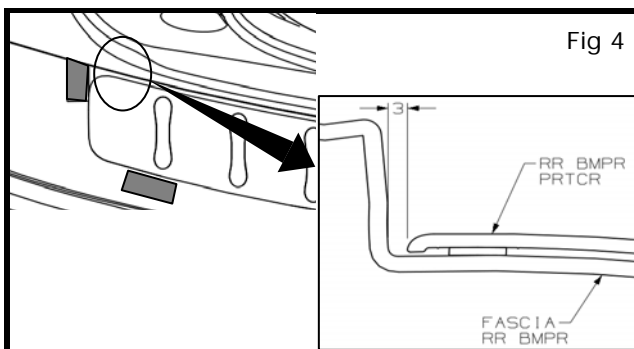
INSTALLATION INSTRUCTIONS - Rear Bumper Protector Kit



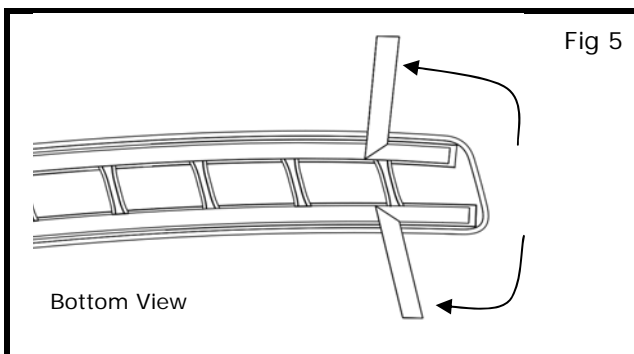
- 3) Dry fit the bumper protector on the vehicle .
 - a) Align the bumper protector centering arrow with the tailgate latch.



- 4) Apply tape at RH & LH edges of part.

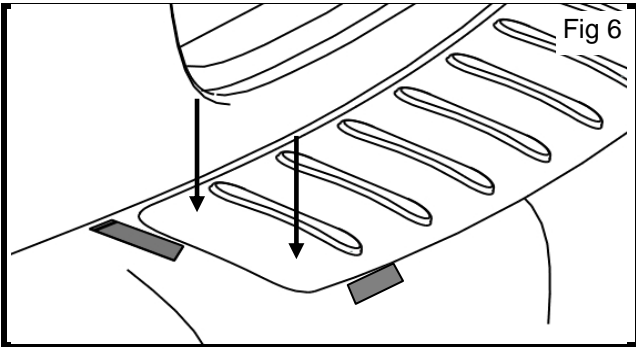


- 5) Confirm Bumper Protector location on vehicle with scale at first bead and mark location by applying tape on RR edge of bumper protector



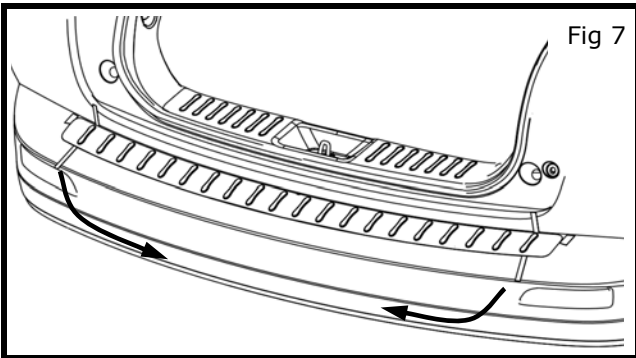
- 6) Remove part and peel approximately 30mm of all tape liners (RH & LH).

INSTALLATION INSTRUCTIONS - Rear Bumper Protector Kit



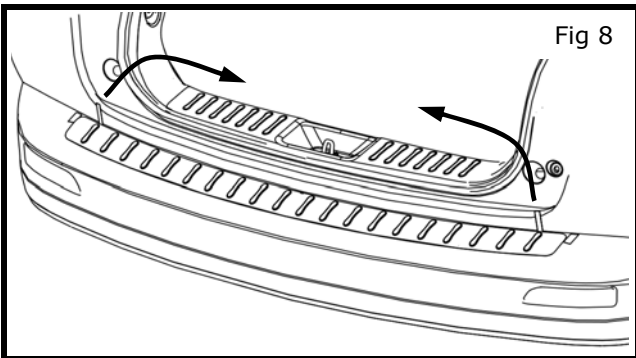
7) Aligning part to tape edges and marks, lightly tack the rear bumper protector to the vehicle.

8) Confirm arrow alignment and consistent fit. If necessary, un-tack rear bumper protector and repeat.



8) While holding part in position with one hand remove rear tape liners.

9) Using a clean, lint-free cloth, start at the center and apply 15 lbs/in² of pressure along the tape path.



10) Remove front tape liners.

11) Using a clean, lint-free cloth, start at the center and apply 15 lbs/in² of pressure along the tape path.

12) To ensure adequate attachment, re-apply 15 lbs/in² of pressure across the entire part.

13) Close rear hatch

14) Do not expose vehicle to moisture for 24 hours.