



# GENUINE PARTS

## INSTALLATION INSTRUCTIONS

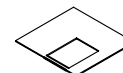
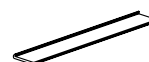
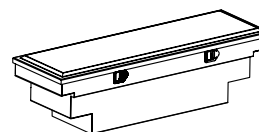
1. DESCRIPTION: **FIXED TOOL BOX**

2. APPLICATION: **NISSAN FRONTIER 2004- WITHOUT UTILI-TRACK**

3. PART NUMBER: **999T2-BR600**

4. KIT CONTENTS:

<u>Item No.</u>	<u>Qty</u>	<u>Description</u>
1	1	Tool Box
2	2	Rubber Pad
3	4	J-Hook Receiver
4	4	J-Hook
5	4	M6 Flat Washer
6	4	M6 Hex Head Bolt
7	1	Rubber Spacer
8	1	5/16 Screws
9	2	Plastic Hole Cover



5: TOOLS REQUIRED:

Ratchet (3/8" drive) Ratchet Extension (3/8" drive) 10mm Socket 1/2" Socket  
Torque Wrench (Suitable for 2.3Nm (20in-lbs.) to 5.5Nm (50in-lbs)) Eye Protection

6. INSTALLATION PRECAUTIONS / NOTES:

**Maximum Load 200 lbs.  
Installation may be difficult on vehicles  
with drop-in bed liners  
Take care in following instruction steps**

# INSTALLATION INSTRUCTIONS - TOOL BOX

## 7. INSTALLATION PROCEDURE

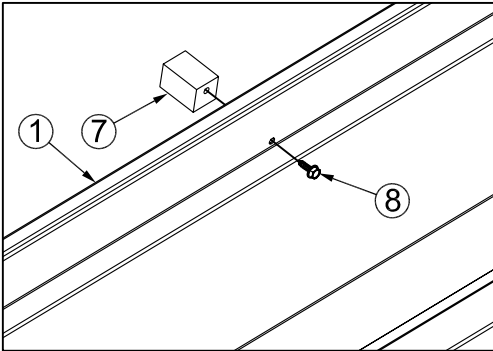


Fig. 1

1. Attached Rubber Spacer (#7) to the Toolbox (#1) using the 5/16 screw (#8). Torque screw to 50in-lbs. (See Fig 1)

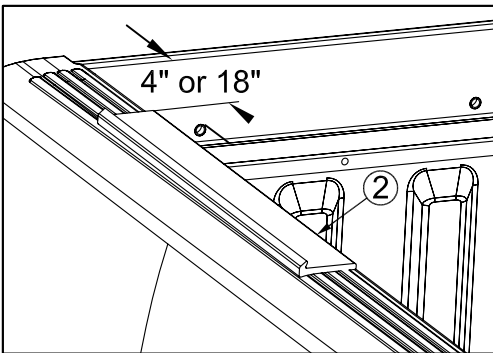


Fig. 2

2. Place rubber pads (#2) on bed rails. If vehicle has drop-in bed liner installed place pads 4" rearward of the truck bed header board. If vehicle does not have drop-in bedliner installed, place pads 18" rearward of header board. (See Fig. 2)

3. Place toolbox (#1) on top of pads (#2). Maintain clearance specified in step 2 between headboard and toolbox. Center toolbox on truck bed.

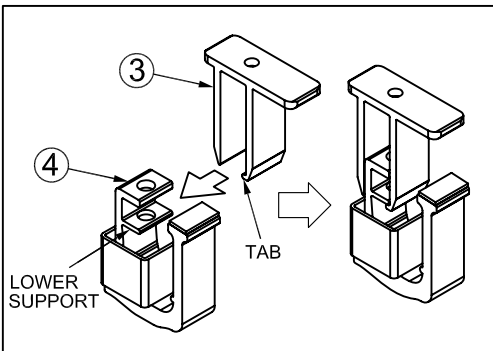


Fig. 3

4. Become familiar with J-hook by sliding the tab of the J-hook receiver (#3) under the lower support of the J-hook (#4). (See Fig 3)

Note: Steps 5-7 may be difficult on vehicles with drop in bedliners. Take care in following instruction steps.

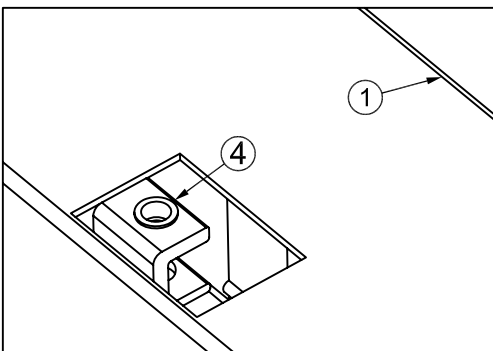


Fig. 4

5. Position J-hook (#4) under opening in toolbox (#1) closest to cab. (See Fig. 4)

Note: Using a step stool for steps 5-7 will assist in viewing and accessing the mounting positions.

# INSTALLATION INSTRUCTIONS - TOOL BOX

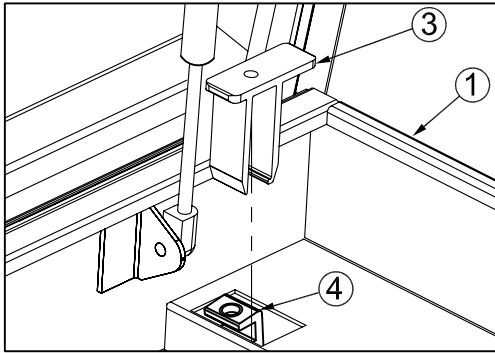


Fig. 5

6. Place J-hook receivers (#3) beside the J-hook (#4) in the rectangular openings in the toolbox. The larger tab on the receiver (#3) should be on the outboard side of the toolbox. (See Fig. 5)

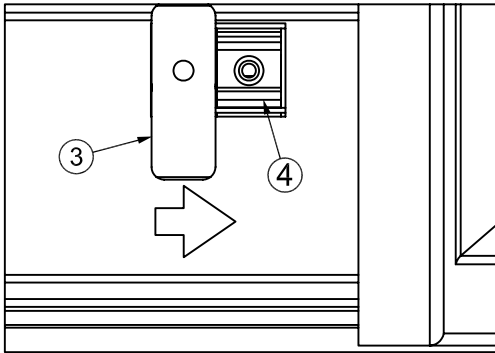


Fig. 6

7. Slide J-hook receiver (#3) over the J-hook (#4) by sliding the tab on the J-hook receiver under the lower support on the J-hook. (See Fig. 6)

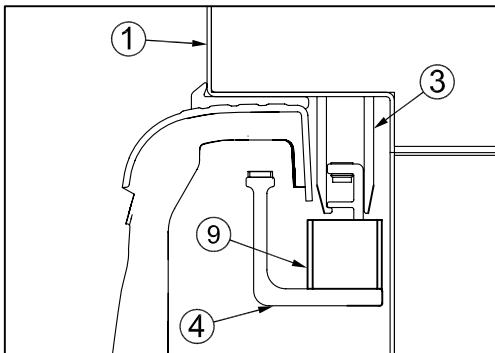


Fig. 7

8. Confirm proper assembly of J-hook (#4) and J-hook receiver (#3). (See Fig. 7)

Note: Screw will not thread if misassembled.

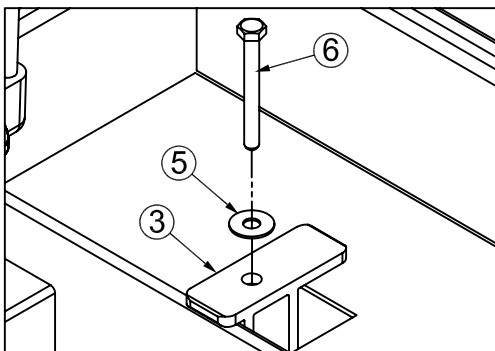


Fig. 8

9. Insert M6 bolt (#6) with M6 flat washer (#5) through J-hook receiver (#3) and thread into J-hook (#4). (See Fig. 8)

Note: Engage M6 bolt 2 or 3 threads, do not tighten.

# INSTALLATION INSTRUCTIONS - TOOL BOX

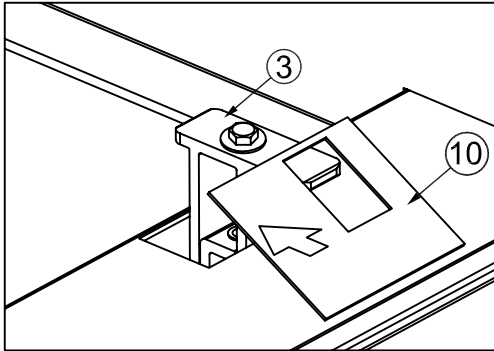


Fig. 9

10. Slide hole cover (#9) under tab of J-hook receiver (#3) (See Fig. 9)

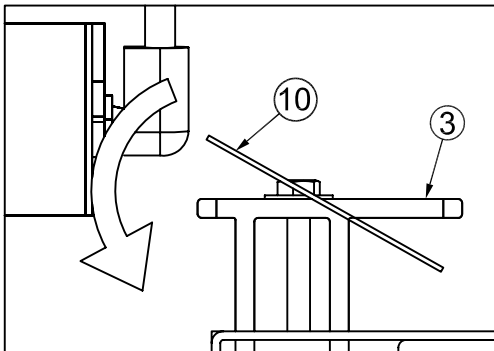


Fig. 10

11. Rotate hole cover (#9) around small tab of J-hook receiver (#3). (See Fig. 10)

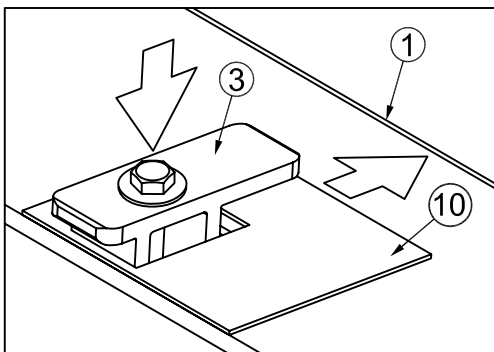


Fig. 11

12. Pull hole cover (#9) toward outside of toolbox (#1) while lowering receiver (#3). (See Fig. 11)

13. Repeat steps 5-12 for other cab side opening.

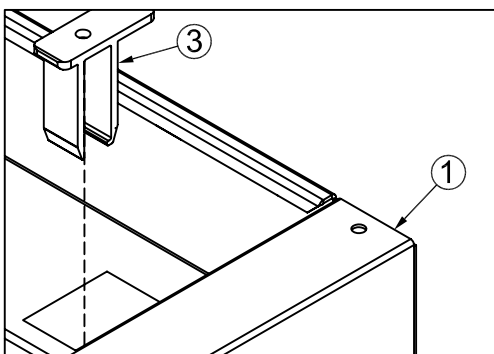


Fig. 12

14. Place J-hook receivers (#3) in rectangular openings in the toolbox (#1) closest to tailgate. (See Fig. 12)

# INSTALLATION INSTRUCTIONS - TOOL BOX

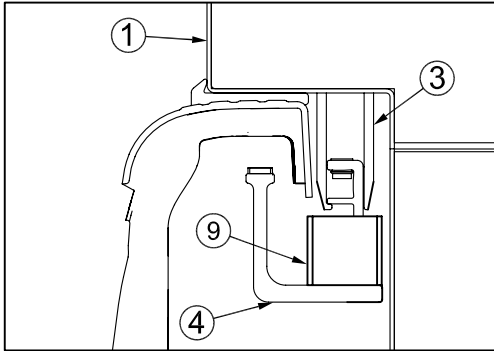


Fig. 13

15. Assemble J-hooks (#4) to the receivers (#3) by sliding the lower horizontal support of the J-hook (#4) over the tab on the J-hook receiver (#3). (See Fig. 13)  
**Note:** Slide J-Hook (#4) into position by starting at the nearest outside edge.

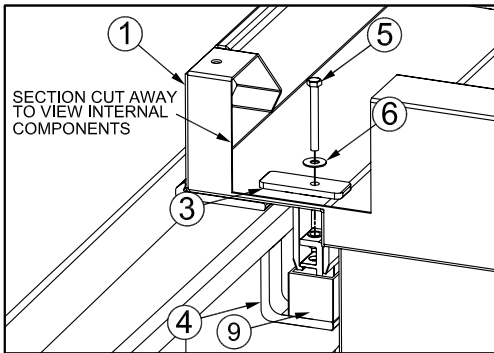


Fig. 14

16. Insert M6 bolt (#5) with M6 flat washer (#6) through J-hook receiver (#3) and thread into J-hook (#4). (See Fig. 14)  
**Note:** Engage M6 bolt 2 or 3 threads, do not tighten.

17. Repeat for the remaining mounting location.

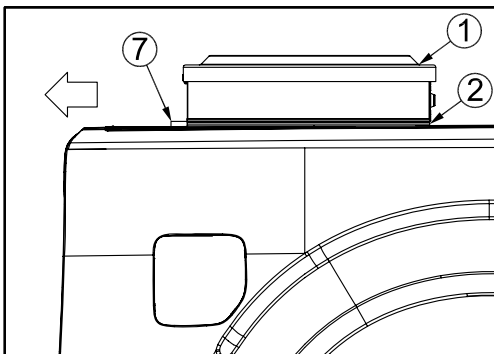


Fig. 15

18. Slide toolbox (#1) and rubber pads (#2) toward the cab of the truck until the rubber spacer (#7) contacts the header board of the truck bed. Ensure the rubber pads (#2) are positioned squarely under the toolbox. (See Fig. 15)  
**Note:** Clamp bolts must be engaged only 2-3 threads in order to slide the box forward.

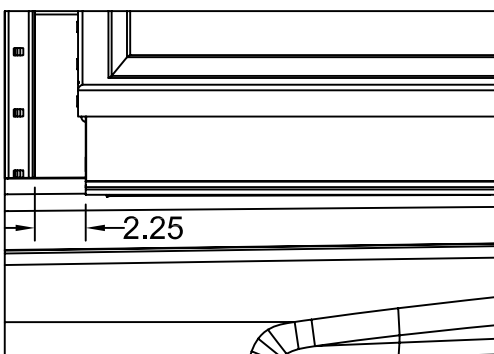


Fig. 16

19. Measure gap between the back of the box and the header board of the vehicle. The gap should be the same on both driver and passenger side of vehicle. (See Fig. 16)

# INSTALLATION INSTRUCTIONS - TOOL BOX

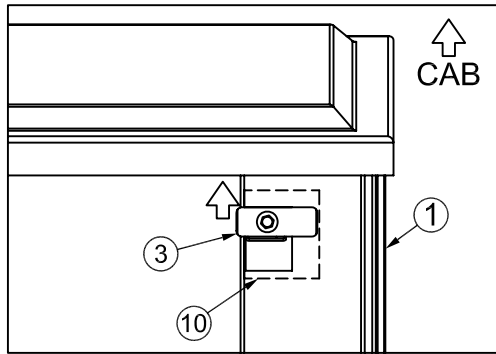


Fig. 17

20. Ensure J-hook receiver (#3) is oriented as shown.  
Note: Hole cover (#9) shown transparent.  
(See Fig. 17)

21. Tighten M6 hex head bolts using a 3/8" drive ratchet  
and a 10mm socket. Torque to 25±5in-lbs.