



# GENUINE PARTS

## INSTALLATION INSTRUCTIONS

1. DESCRIPTION: Chrome Step Rails

2. APPLICATION: Titan King Cab / Titan Crew Cab MY04+

3. PART NUMBER: 999T6-WS0C3 / 999T6-WS0C5

4. KIT CONTENTS:

<u>Item No.</u>	<u>Qty</u>	<u>Description</u>	<u>Service Part Number</u>
1	1	Left Side Step	96101 ZJ00B (King Cab) 96101 ZJ30B (Crew Cab)
2	1	Right Side Step	96100 ZJ00B (King Cab) 96100 ZJ30B (Crew Cab)
3	6	Mounting Brace	96176 ZH10A
4	6	M8 Hex Head Bolt (25mm long)	81-56825-2F
5	6	M8 Hex Nut	89-11108-2G
6	12	M8 Bolt w/ Washer	81-46820-2G
7	1	Installation Instructions	

5. TOOLS REQUIRED:  
Ratchet                      12-mm Deep-well Socket                      Torque Wrench

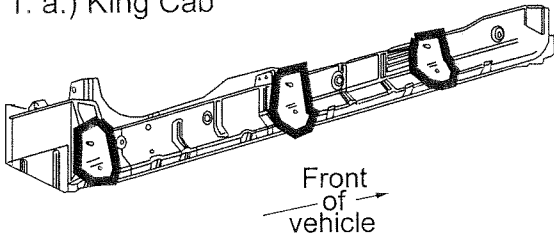
6. INSTALLATION PRECAUTIONS / NOTES:

- Study illustrations and read the instructions carefully before attempting assembly.
- Always wear safety glasses while working under any vehicle.

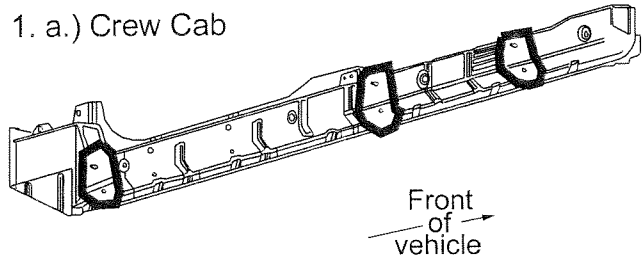
# INSTALLATION INSTRUCTIONS - CHROME STEP RAILS

## 7. INSTALLATION PROCEDURE

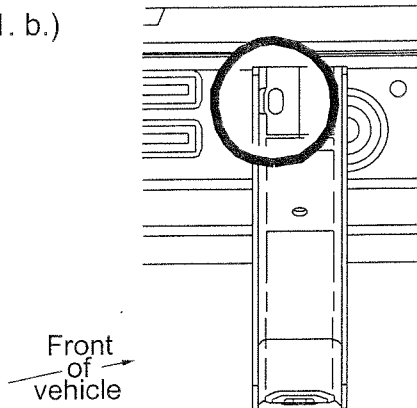
1. a.) King Cab



1. a.) Crew Cab



1. b.)



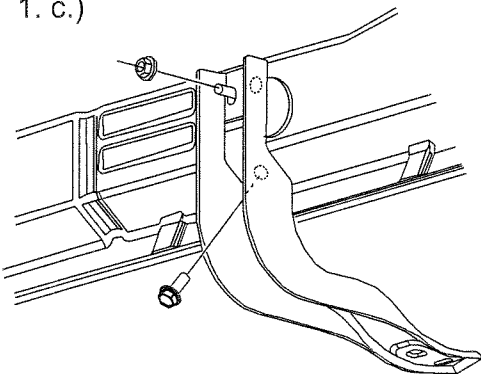
### 1.) Brackets - Driver's Side

- a.) Find the 3 stud and hole locations in frame - one set in back, one in the middle of the vehicle, and the other set towards towards the front of the vehicle.

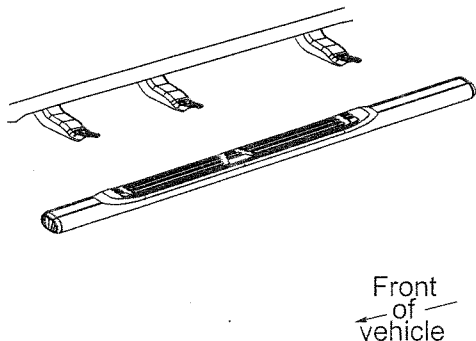
Note: On the Crew Cab there are four (4) of these locations. Use the 1st, 2nd, and 4th locations from the front of the vehicle.

- b.) Locate one bracket to weld stud on body sill in the front location on the driver's side - use the slot on the left side of the bracket. This is the slot to the rear of the vehicle.
- c.) Secure with one nut and one 25mm length bolt.
- d.) Repeat for other two locations on driver's side.

1. c.)



2. a.i.) King Cab



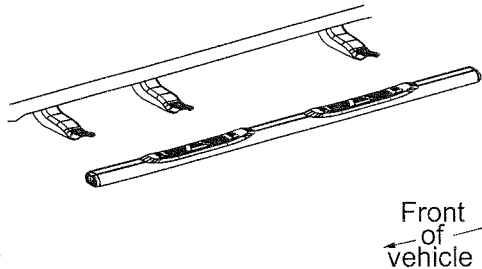
### 2.) Step Rail

- a.) Position step rail on brackets, making sure correct end is towards front of vehicle.
- i.) King Cab - Step pad should be offset towards the front of the vehicle.

# INSTALLATION INSTRUCTIONS - CHROME STEP RAILS

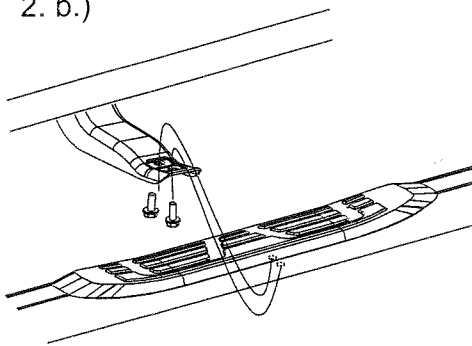
## 7. INSTALLATION PROCEDURE

### 2. a.ii.) Crew Cab



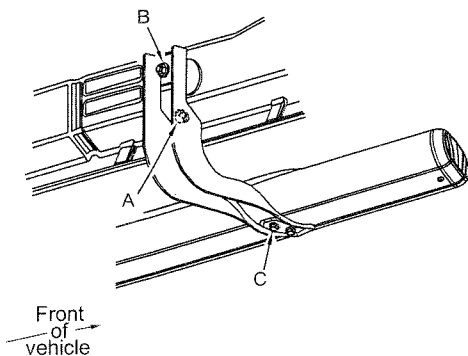
ii.) Crew Cab - Step pad should be offset towards the front of the vehicle.

### 2. b.)



b.) Secure step rail to each bracket with two 20mm length bolts.

### 3. a-c.)



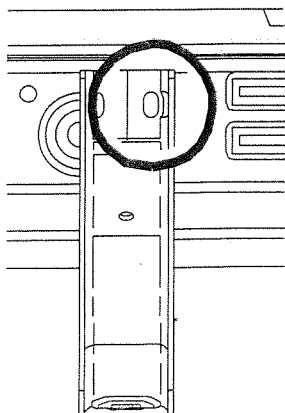
### 3.) Tighten Bolts

a.) Using the 12mm socket, tighten the bolt holding the bracket to the frame to 24Nm.  
(17.3 ft./lbs.; 212 in./lbs.)

b.) Using the 12mm socket, tighten the nut holding the the bracket to the frame to 14Nm  
(10.5 ft./lbs.; 124 in./lbs.)

c.) Using the 12mm socket, tighten the bolts holding the the step rail to each bracket to 14Nm  
(10.5 ft./lbs.; 124 in./lbs.)

### 4.)



4.) Repeat above steps for Passenger's side, except use the slot on the right side when installing the bracket. This is the slot to the rear of the vehicle.