



## GENUINE PARTS

# INSTALLATION INSTRUCTIONS

**1. DESCRIPTION:** Sunroof Wind Deflector

**2. APPLICATION:** Pathfinder; Frontier with no roof rails

**3. PART NUMBER:** 999D4-XR001

**4. KIT CONTENTS:**

<u>Item No.</u>	<u>Qty</u>	<u>Description</u>
1)	1	Sunroof Wind Deflector
2)	2	Metal Clips
3)	2	Allen Screws
4)	2	Washers
5)	2	Nuts
6)	2	Abrasive Resistant Tapes
7)	1	Alcohol Wipe
8)	1	Optional Adhesive Backed Spacer (RHS)
9)	1	Plastic Gauge

**5. TOOLS REQUIRED:** • 10mm (13/32") closed end wrench

• Clean Rag                      • 4mm Allen key                      • Masking Tape

**6. INSTALLATION PRECAUTIONS / NOTES:**

- 1) Clean with mild soap and water using a soft cloth or chamois.
- 2) Never use ammonia based cleaners or solvents.
- 3) Failure to ensure that the clip rests on the abrasive resistant tape may result in permanent paint damage.
- 4) Do not over torque Allen screws.

# INSTALLATION INSTRUCTIONS - SUNROOF WIND DEFLECTOR KIT

## 7. INSTALLATION PROCEDURE

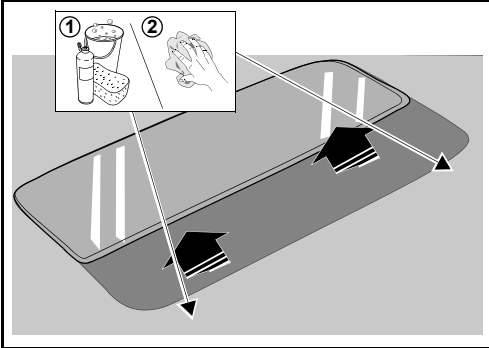


Figure 1. Cleaning areas

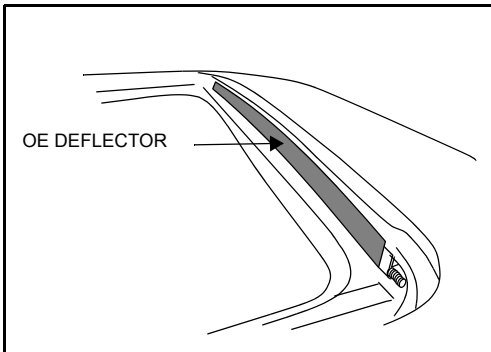


Figure 2.

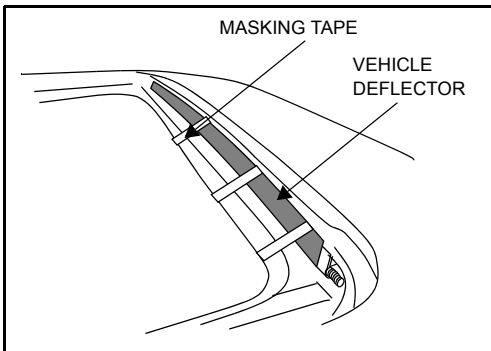


Figure 3.

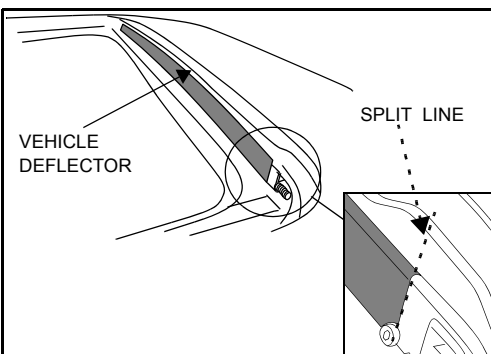


Figure 4.

1. Clean installation areas thoroughly and open the sunroof window as shown in Figure 1.

2. Locate the vehicle OE Deflector at the front of the sunroof opening, this is the little flap that raises when the sunroof glass is opened as shown in Figure 2.

3. Use masking tape to hold down the vehicle deflector during the installation. See Figure 3.

4. Locate the split line at each end of the vehicle deflector. This will have a screw at the bottom edge. See Figure 4.

# INSTALLATION INSTRUCTIONS - SUNROOF WIND DEFLECTOR KIT

## 7. INSTALLATION PROCEDURE

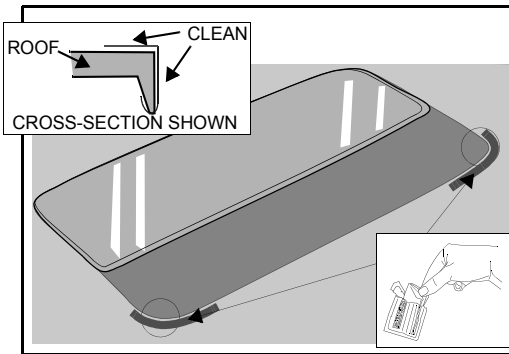


Figure 5. Cleaning areas

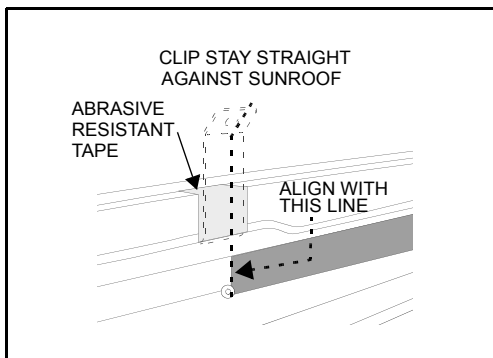


Figure 6.

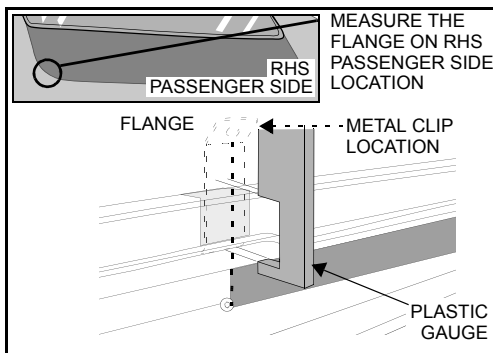


Figure 7.

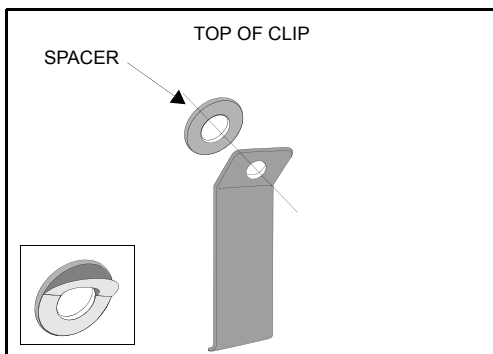


Figure 8.

5. Clean the roof section in front of each previously noted position with alcohol wipe provided and remove any residue with a dry clean cloth. See Figure 5.

A cross sectional view through this area is shown at the top left hand corner providing details on what surfaces need to be cleaned.

6. Align the clip so that the inward edge of the hole aligns with the detail line (as shown in Figure 6) and make a note of the position of the clip. Remove the clip and install the abrasive resistant tape central to the clip's position as shown in Figure 6 and the inset.

7. Please ensure you measure the right hand side (passenger side) of the sunroof opening **flange** with the plastic gauge provided in the hardware kit and proceed with the following.

- A. If the plastic gauge does not easily fit over the Sunroof flange, fit the Sunroof Wind Deflector using the **optional spacer**. See step 8.
- B. If the plastic gauge easily fits over the Sunroof flange, **fit the Sunroof Wind Deflector without the optional spacer.**

### Important

**NOTE:** This optional spacer may only be required for the right hand side (passenger side) of the sunroof opening. Spacer will not be required for the left hand side of sunroof opening.

8. **OPTIONAL SPACER:** Use the spacer if required, as described in step 7. Peel the protective strip away from spacer and adhere the spacer to the top of the right hand side clip to aid installation, as shown in Figure 8.

### Important

**NOTE:** Ensure the hole in the spacer aligns with the hole in the clip when adhered.

# INSTALLATION INSTRUCTIONS - SUNROOF WIND DEFLECTOR KIT

## 7. INSTALLATION PROCEDURE

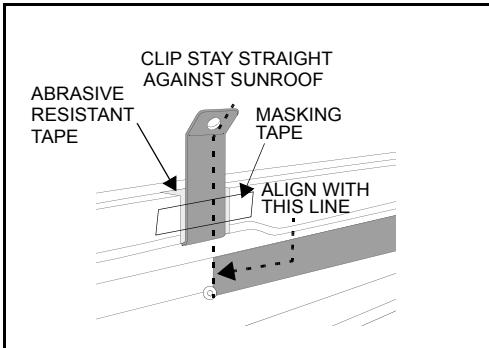


Figure 9.

9. Reinstall the clip in its original position, using the masking tape to hold the clip. The clip should stay straight against sunroof opening wall. Repeat for the other side. Figure 9.

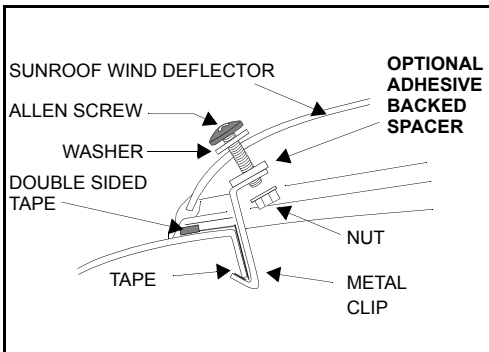
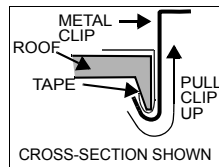


Figure 10.

10. Peel back approx. 50mm (2") of tape liner from **EACH** of the tape sections and fold at 45° to outside of Sunroof Wind Deflector. Hand tighten the Sunroof Wind Deflector to both clips using the Allen screws, washers and nuts provided as per Figure 10.

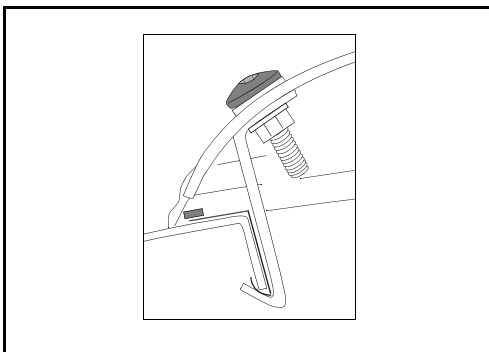
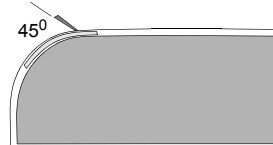


Figure 11.

11. Check if the bracket is vertical and stays straight against sunroof opening wall. See Figure 11.

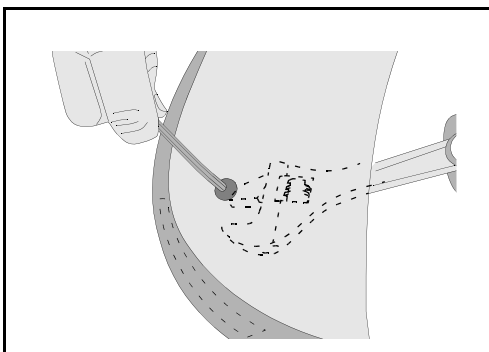


Figure 12.

12. Using an allen key and a wrench, start to tighten one end while at the same time applying pressure to the top front corner near the screw to ensure the rubber gasket is flat against the roof and not curling under itself. Do not tighten completely at this stage. Do the same for the other side. Check to ensure the clips have not moved and then tighten both sides. Do not over tighten. The recommended torque setting for the screws and nuts is 5-7 lbf-in. See Figure 12.

# INSTALLATION INSTRUCTIONS - SUNROOF WIND DEFLECTOR KIT

## 7. INSTALLATION PROCEDURE

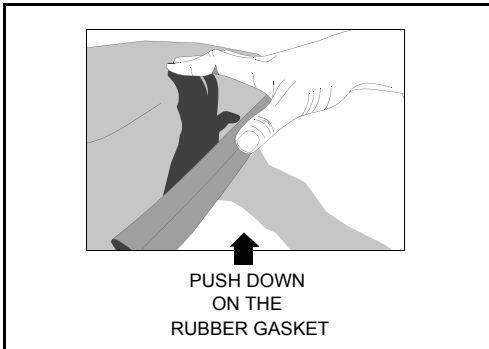
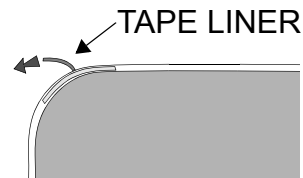
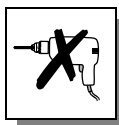


Figure 13.

13. Finally, push down on the rubber gasket with your thumb along the entire length to seat the rubber gasket correctly with the roof surface as shown . Remove the tape liner. Figure 13.



14. Remove the masking tape holding the OE Deflector & clips after installation is completed and all screws are properly torqued.



Do not use power tools to install this product. The use of power tools during installation may void the product warranty.



Do not use abrasive cleaners.



Clean Sunroof Wind Deflector with a mild detergent and water solution.