



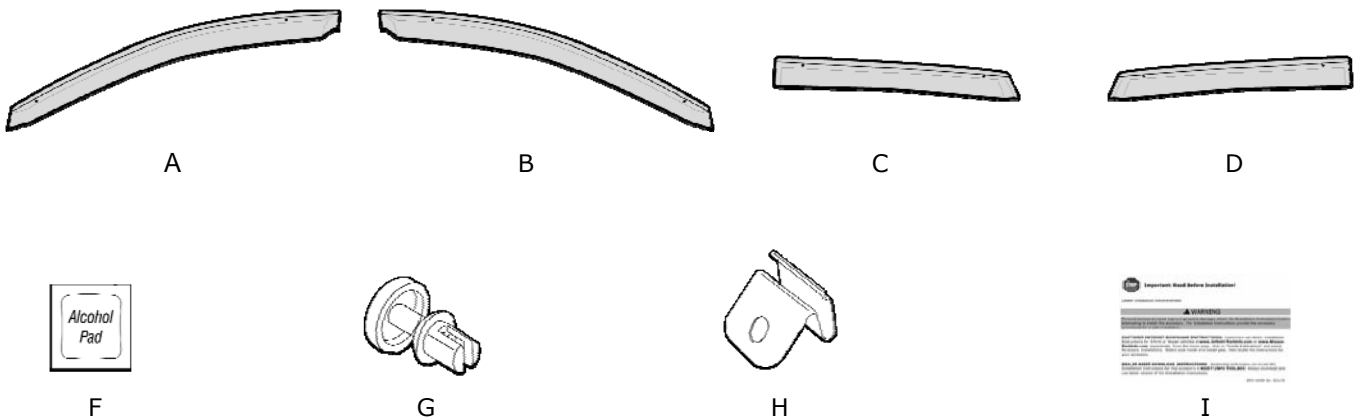
# GENUINE PARTS

## INSTALLATION INSTRUCTIONS

<b>DESCRIPTION:</b>	SIDE WINDOW DEFLECTOR
<b>APPLICATION:</b>	Nissan Rogue (2008)
<b>PART NUMBER:</b>	999D3 GX000

### KIT CONTENTS:

Item	Qty.	Part Description	Service Part Number
A	1	Side Window Deflector, front, driver side	---
B	1	Side Window Deflector, front, passenger side	---
C	1	Side Window Deflector, rear, driver side	---
D	2	Side Window Deflector, rear, passenger side	---
E	1	Installation Hardware Kit	---
F	4	• Isopropyl alcohol pads	---
G	8	• 2 - Push Rivet	---
H	8	• Brackets	---
I	1	Installation Instruction Replacement Template	---



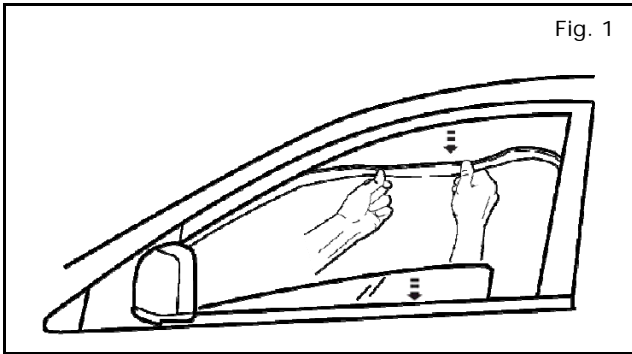
### TOOLS REQUIRED:

- Clean Cloth
- Soap/Water
- Masking Tape
- Scale/Measuring Tape (mm)

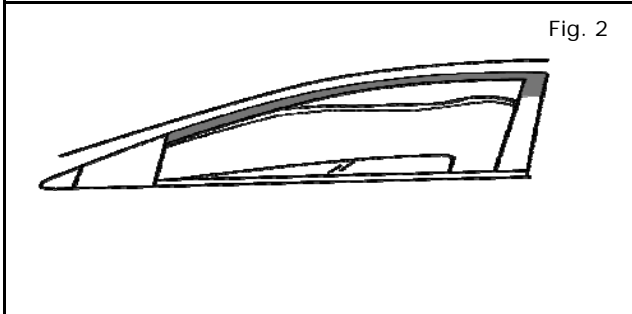
### CAUTIONS/NOTES:

- Read all instructions carefully before beginning the installation.
- The ideal ambient temperature for installation is above 55°F (15°C).
- No driving for one hour after installation.
- No moisture contact or washing vehicle for 24 hours after installation

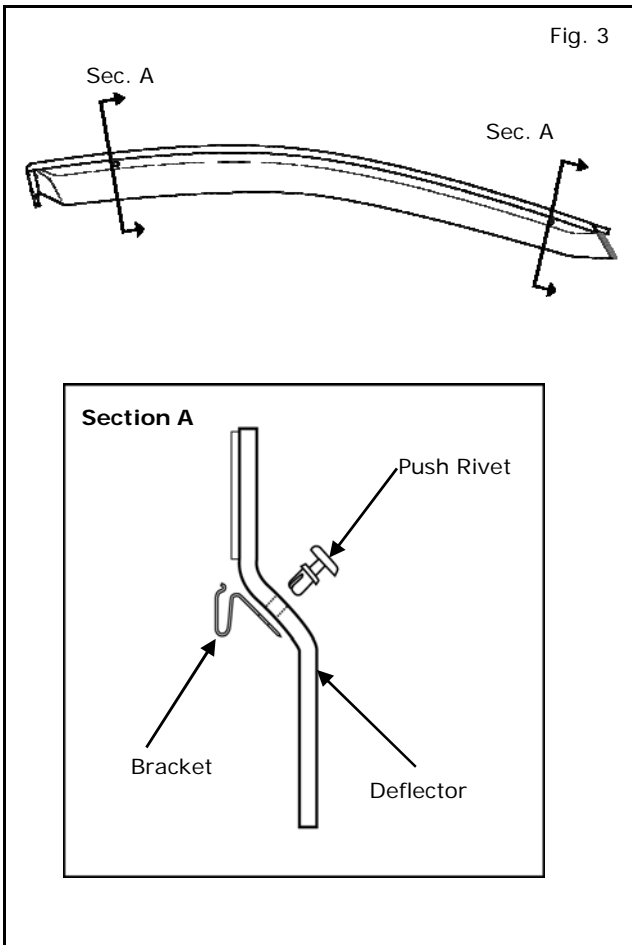
## INSTALLATION PROCEDURE:



- 1) Clean front door with soap/water and dry with a clean cloth.
- 2) Lower window and pull rubber weather strip down to expose door flange.

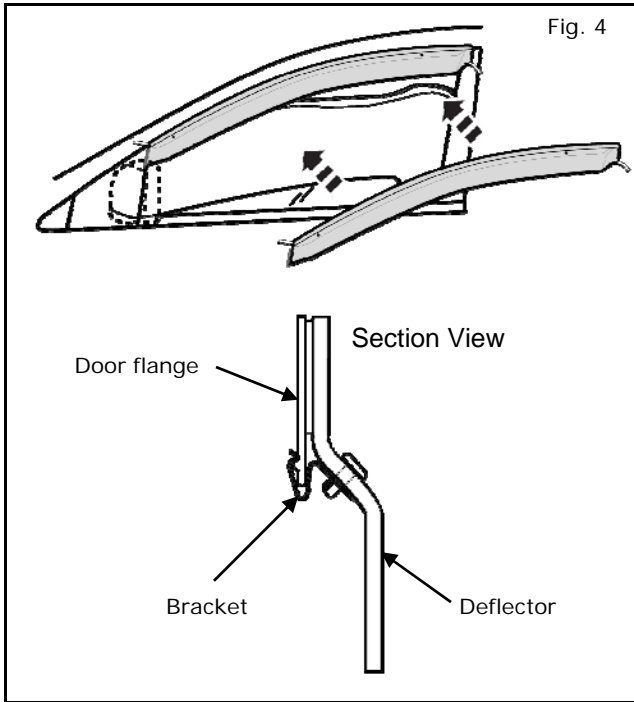


- 3) Clean highlighted area of door with alcohol pad.

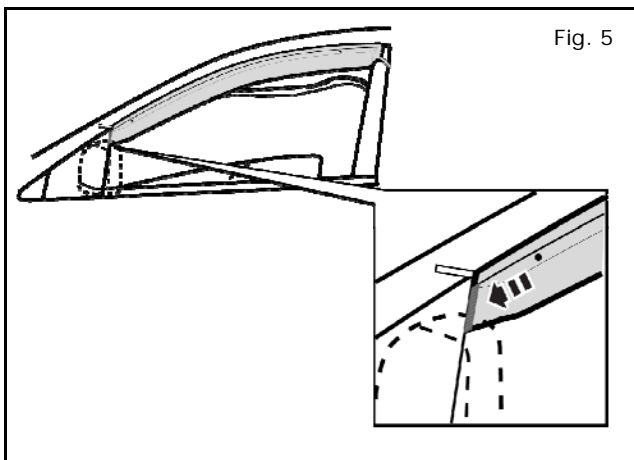


- 4) Attach (2) brackets to deflector using (2) push rivets. Push rivet should be seated against flange fully engaged.

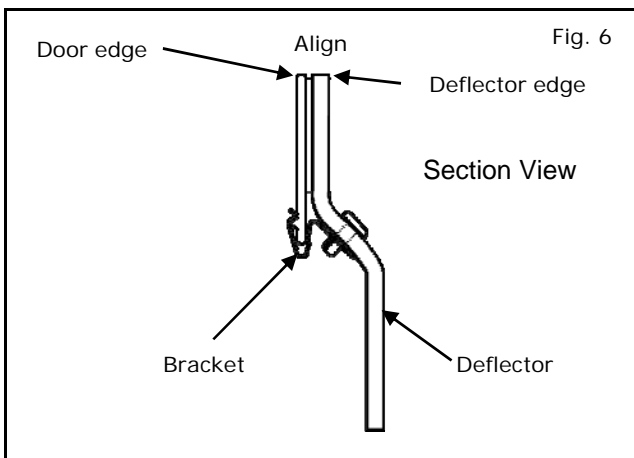
**INSTALLATION PROCEDURE (CONTINUED):**



- 5) Attach deflector to door by sliding brackets onto door flange.

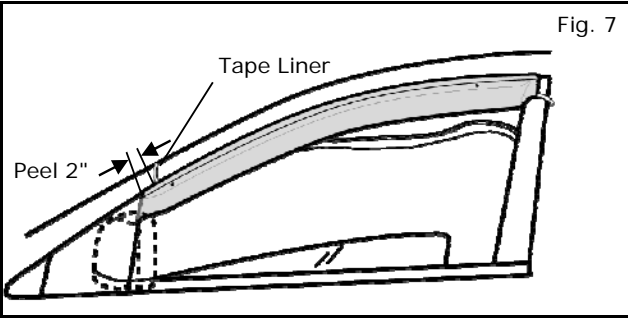


- 6) Slide deflector forward so foam seal compresses against mirror edge.

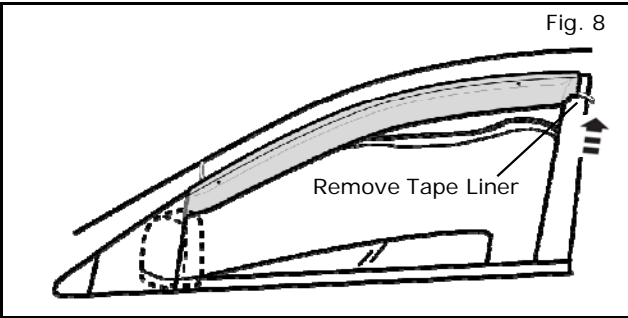


- 7) Align top of deflector edge to top of door frame at front bracket location.

**INSTALLATION PROCEDURE (CONTINUED):**

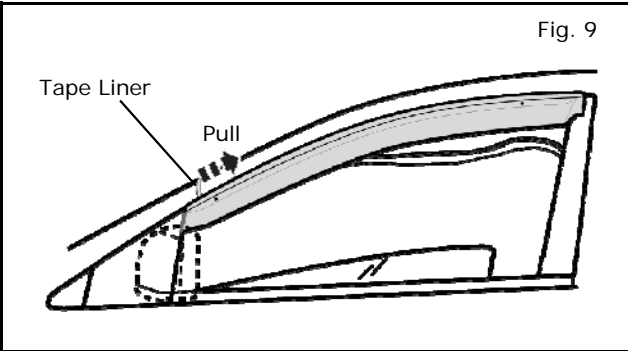


8) Peel approximately 2" of front tape liner and tack deflector down in place.

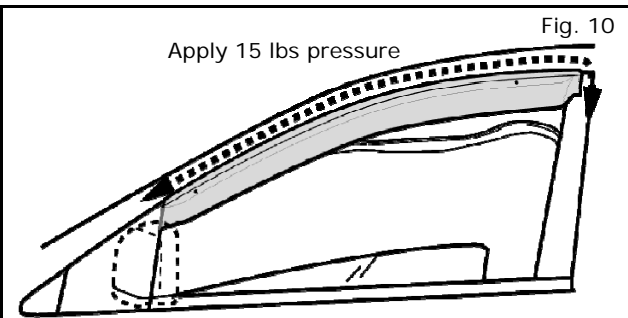


9) Align top of deflector edge to top of door frame at rear bracket location (see Fig. 6).

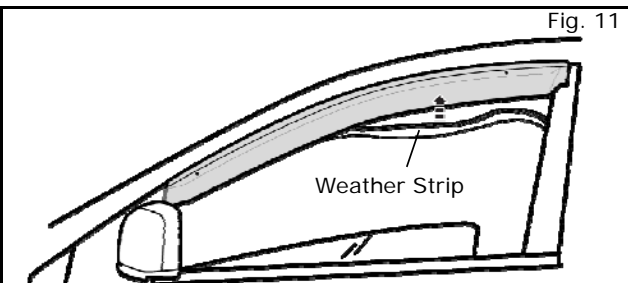
10) Remove rear tape liner and tack deflector down in place.



11) Remove tape liner by pulling on exposed pull tab.



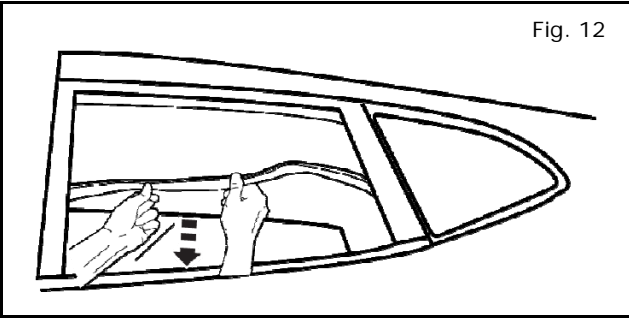
12) Apply at least 15 lbs. of pressure along tape length.



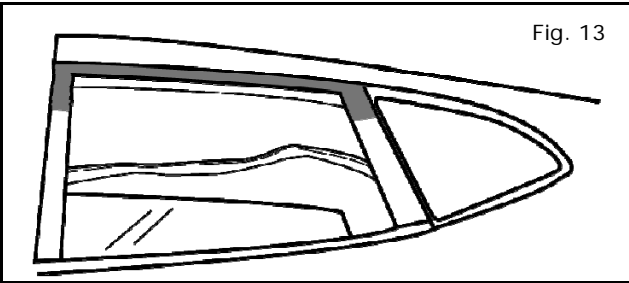
13) Replace rubber weather strip and make sure it is fully seated.

14) Repeat steps 1 through 13 for opposite side.

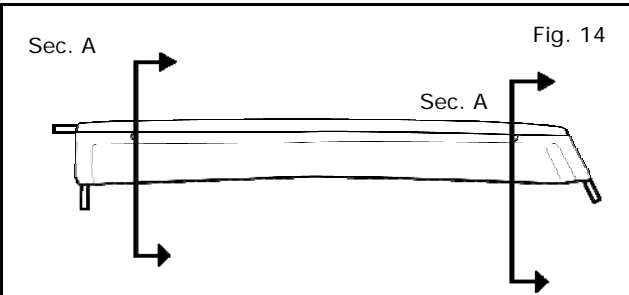
**INSTALLATION PROCEDURE (CONTINUED):**



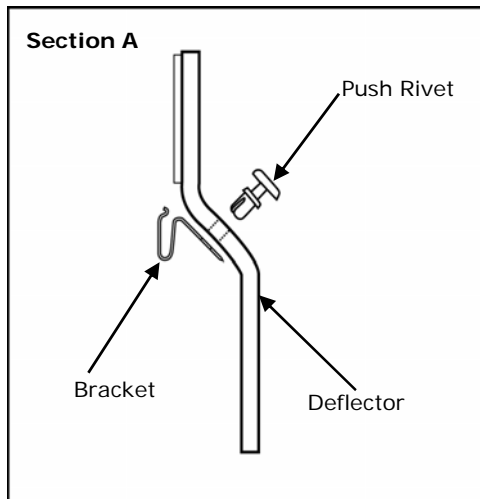
- 15) Clean rear door with soap/water and dry with a clean cloth.
- 16) Lower window and pull rubber weather strip down to expose door flange.



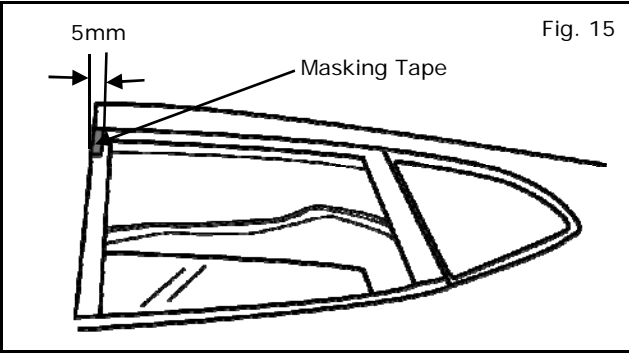
- 17) Clean highlighted area of door with alcohol pad.



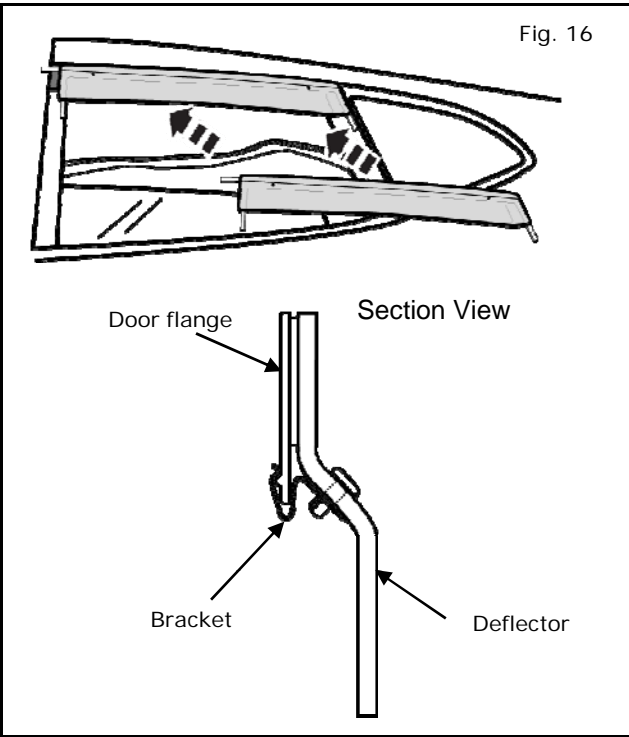
- 18) Attach (2) brackets to deflector using (2) push rivets. Push rivet should be seated against the flange and fully engaged.



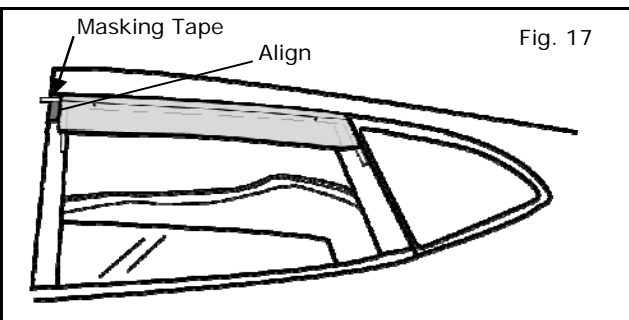
**INSTALLATION PROCEDURE (CONTINUED):**



- 19) Place a piece of masking tape 5mm from door edge.

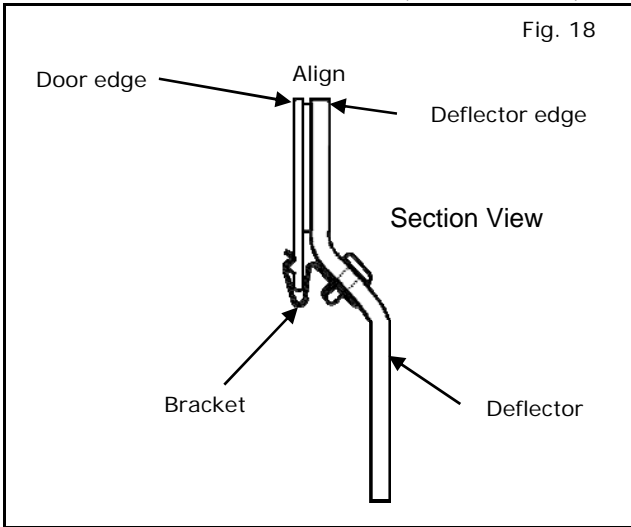


- 20) Attach deflector to door by sliding brackets onto door flange.

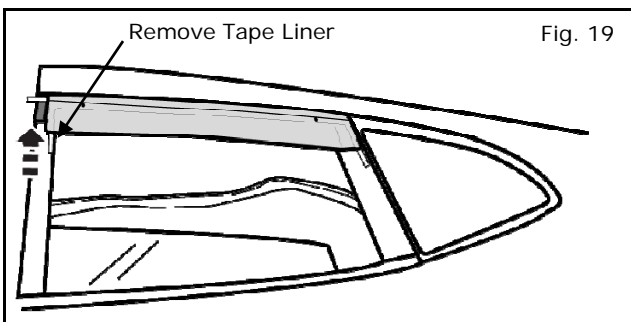


- 21) Position deflector so front vertical edge is aligned to edge of masking tape.

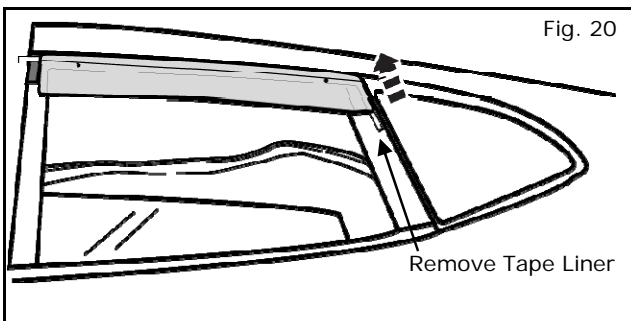
**INSTALLATION PROCEDURE (CONTINUED):**



- 22) Align top of deflector edge to top of door flange at front bracket location.

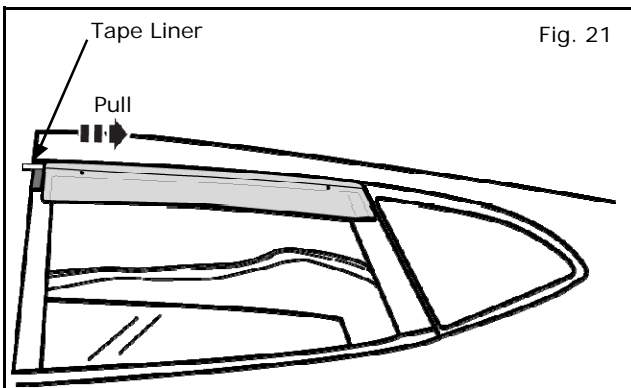


- 23) Remove front vertical tape liner and tack deflector in place.



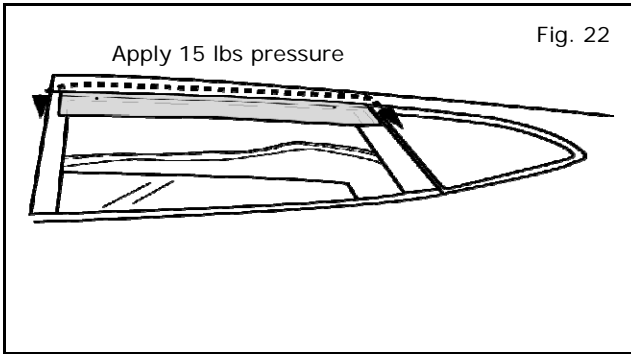
- 24) Align top of deflector edge to top of door flange at rear bracket location (see Fig. 18).

- 25) Remove rear vertical tape liner and tack deflector in place.

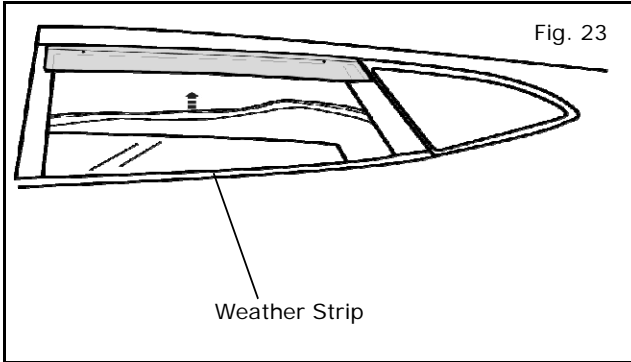


- 26) Remove horizontal tape liner.

**INSTALLATION PROCEDURE (CONTINUED):**



27) Apply at least 15lbs of pressure along tape length.



28) Remove masking tape from door edge.

29) Replace rubber weather strip and make sure it is fully sealed.

30) Repeat steps 15 through 29 for opposite side.