



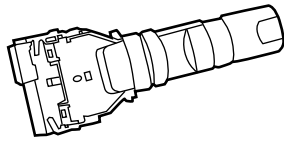
# GENUINE PARTS

## INSTALLATION INSTRUCTIONS

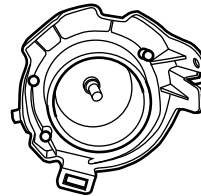
1. DESCRIPTION: Fog Lamp Kit
2. APPLICATION: Armada
3. PART NUMBER: 999F1 2V000

4. KIT CONTENTS:

Item	QTY	Description	Application	Service Part Number
A	1	Lighting and turn signal system	Armada	25540 CM31E
B	2	Fog Lamp Assembly	Armada	26150 / 26155 ZQ00A



A



B

5. TOOLS REQUIRED:

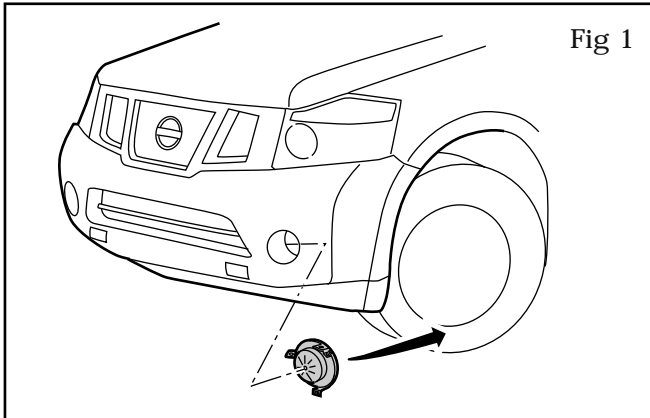
- 10 mm Socket
- Socket Wrench
- Flat Tip Screwdriver
- Phillips Screwdriver

6. PRE-INSTALLATION CAUTIONS/NOTES:

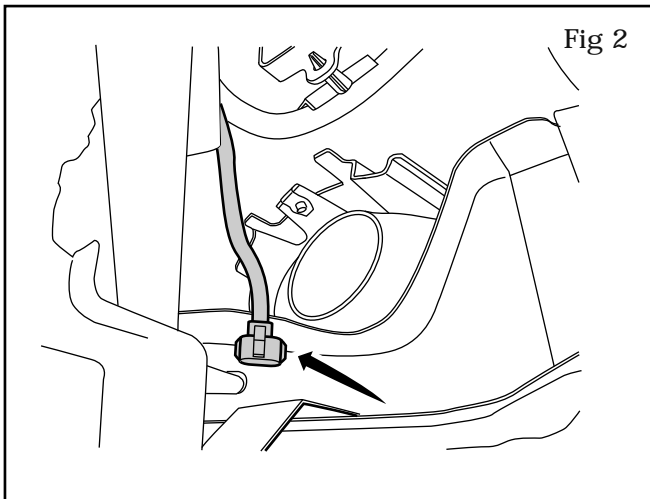
- Dealer Installation Recommended. Instructions refer to Service Manual.

# INSTALLATION INSTRUCTIONS - Fog Lamp Kit

## 7. INSTALLATION PROCEDURE:



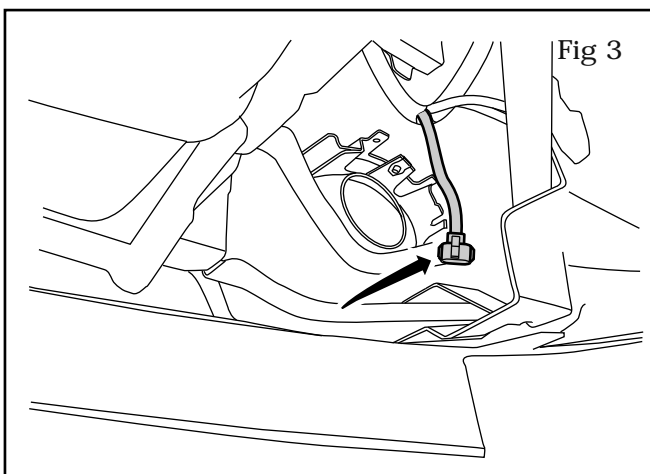
- 1) LH/RH - Remove fog lamp covers.
  - a) Remove 10mm bolts (QTY 2) each side (reuse).



- 2) Locate and untape the fog lamp wiring harness connectors (driver's side/ passenger's side).

**NOTE:**

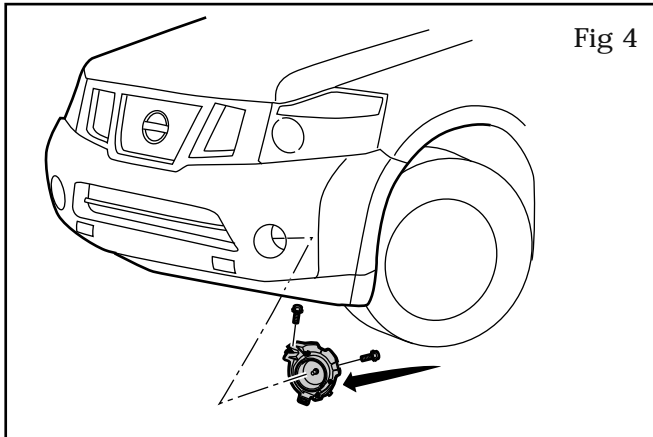
*Drivers side connector is located near the horn.*



**NOTE:**

*Passenger's side connector is located near the washer fluid reservoir.*

## INSTALLATION INSTRUCTIONS - Fog Lamp Kit

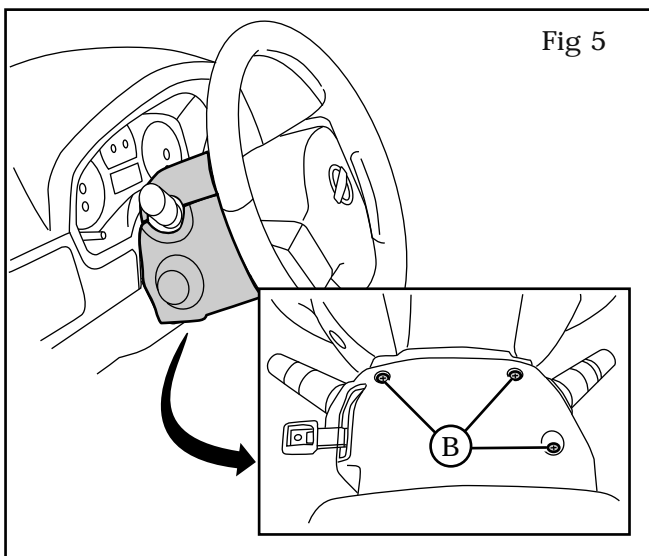


- 3) LH/RH - Install fog lamp provided with kit.
- Install (2) 10mm bolt for each side.
  - Connect electrical connector to each fog lamp.

- 4) Unlock steering wheel.
- 5) Disconnect the negative and positive battery cables then wait at least 3 minutes.

### ▲ CAUTION

- Before servicing, disconnect both battery terminals and wait at least 3 minutes.
- Do not use air tools or electric tools for servicing.
- After the work is completed, make sure no system malfunction is detected by air bag warning lamp.
- In case a malfunction is detected by the air bag warning lamp, reset with the self-diagnosis function and delete the memory with CONSULT-III
- If a malfunction is still detected after the above operation, perform self-diagnosis to repair malfunctions. Refer to Service Manual.



- 6) Remove lower steering column cover screws (B) Located under the steering column and remove upper and lower covers.

## INSTALLATION INSTRUCTIONS - Fog Lamp Kit

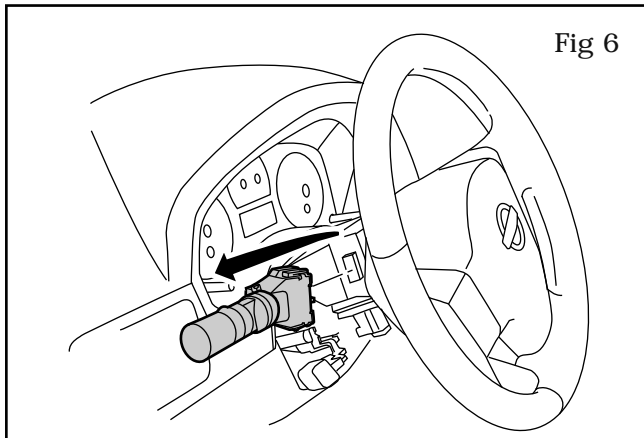


Fig 6

7) Remove combination switch by pressing on upper and lower tabs and pulling outboard from column.

- 8) Install kit supplied combination switch until it "Clicks".
- 9) Re install upper and lower steering wheel covers using the original screws.
- 10) Connect the negative and positive battery cables.
- 11) Refer to Service Manual for aiming adjustment.

### 8. FUNCTIONALITY TEST PROCEDURE:

- 1) Turn ignition switch ON.
- 2) Turn headlamp and fog lamp switches on.
- 3) Verify headlamps and fog lamps are illuminated.
- 4) Turn headlamp switch OFF (leaving fog lamp switch ON).
- 5) Verify both headlamp and fog lamps turn off.
- 6) Verify turn signal, wiper, washer and high beam functionality.