

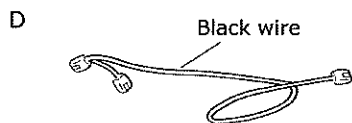
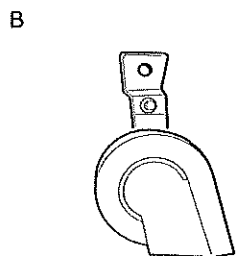
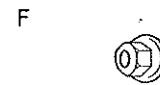
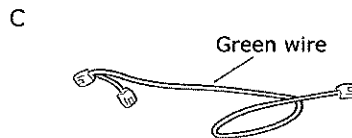
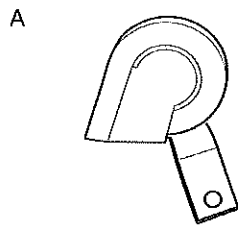


## GENUINE PARTS

### INSTALLATION INSTRUCTIONS

1. **DESCRIPTION:** Sports Horn
2. **APPLICATION:** Cube
3. **PART NUMBER:** B5610-1FA0B
4. **KIT CONTENTS:**

Item	Qty.	Description	Part Number
A	1	Sports Horn - High tone	-
B	1	Sports Horn - Low tone	-
C	1	Sub-harness - Green wire	-
D	1	Sub-harness - Black wire	-
E	1	Bolt - M8	-
F	1	Nut - M8	-
G	2	Washer	-
H	3	Tie Wrap	-
I	1	Installation Instructions	-



**5. TOOLS REQUIRED:**

- Wrench 12mm (31/64"), 13mm (33/64") or ratchet wrench
- Socket 12mm (31/64"), 13mm (33/64")
- Cutting tool
- Masking tape

**6. PRE-INSTALLATION CAUTION/NOTES:**

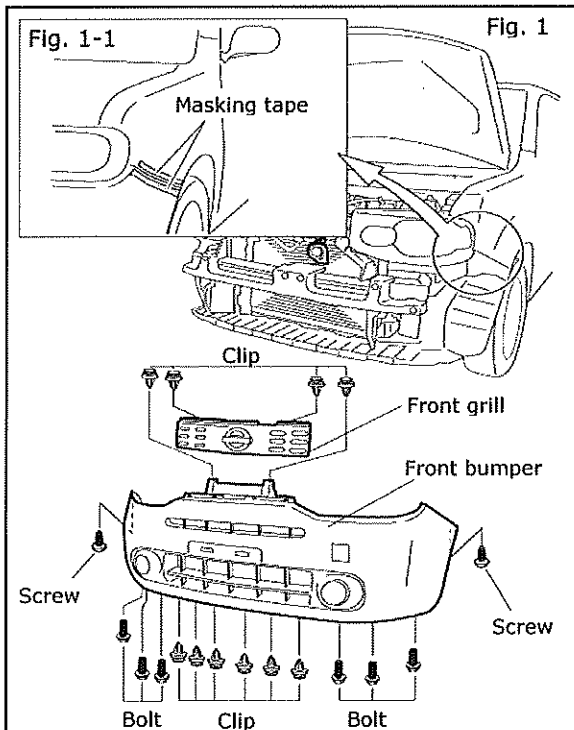
## INSTALLATION INSTRUCTIONS - Sports Horn

### 7. INSTALLATION PROCEDURE:

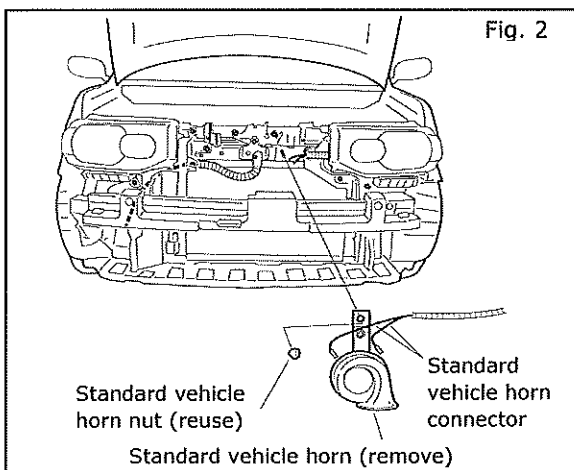
1. Apply Parking Brake.
2. Make sure the shift lever is engaged in "P" or "N" position.
3. Record customer radio presets.

Preset	1	2	3	4	5	6
A						
B						
C						

4. Open the engine hood.
5. Disconnect the negative battery terminal to prevent short circuits during installation.

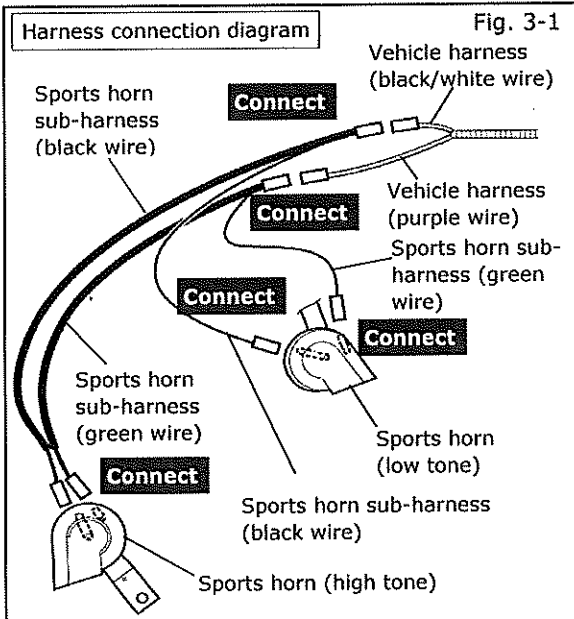


6. Front bumper and front grille removal
  - a) Apply masking tape to the front bumper and front fender to prevent scratches. See Fig. 1-1.
  - b) Remove the front bumper and front grille by removing the fasteners attaching them to the vehicle. See Fig. 1.
    - (Upper side: 4 clips)
    - (Wheel house section: Screws (1 each for right and left))
    - (Lower side: Clips (6 locations), bolts (3 each for right and left)) See Fig. 1.



7. Standard vehicle horn removal
  - a) Disconnect the standard vehicle horn connectors.
  - b) Remove the standard vehicle horn nut (reuse).
  - c) Remove the standard vehicle horn. See Fig. 2.

## INSTALLATION INSTRUCTIONS - Sports Horn

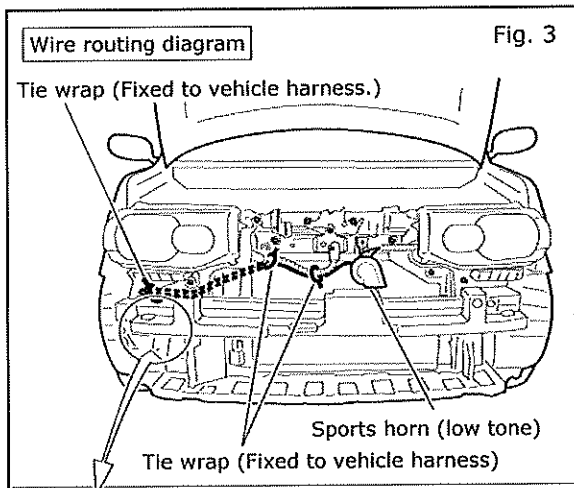


### 8. Sports horn installation

- a) Review Fig. 3 and 3-2 to understand the planned installation locations of the sports horn.
- b) Connect the sports horn sub-harnesses to the vehicle harness (check the wires' colors), as shown in the harness connection diagram. (2 locations) See Fig. 3-1.
- c) Route the sports horn sub-harnesses along the vehicle harness on the passenger side lower area, as shown in the wire routing diagram. See Fig. 3 and Fig. 3-2.

### ⚠ CAUTION

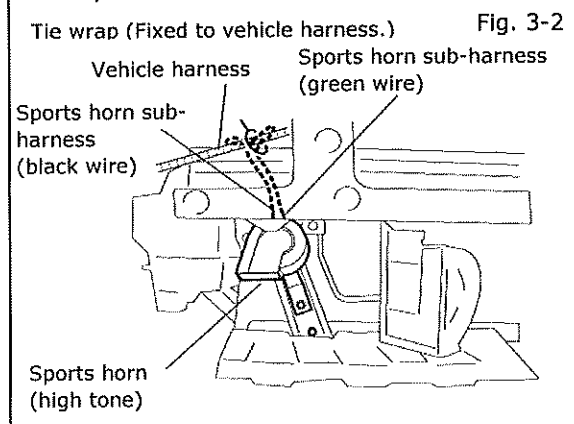
- Do not use the tie wrap in this step. The tie wrap will be used later in the installation procedure.



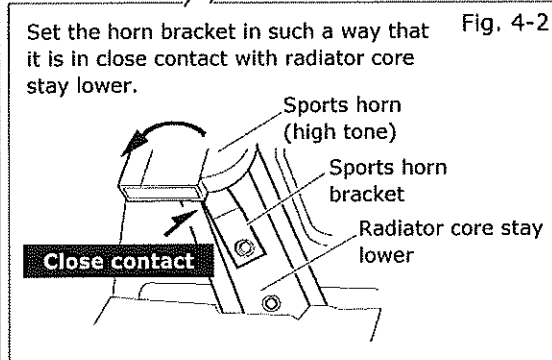
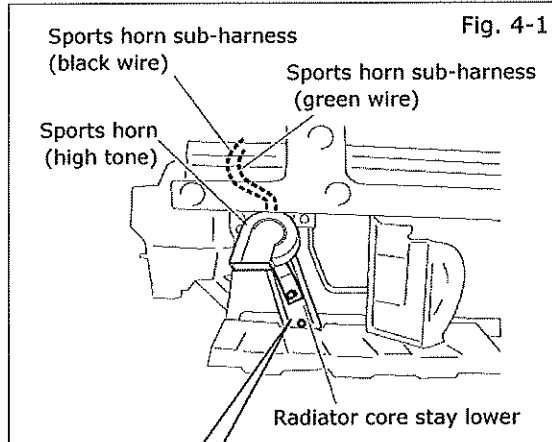
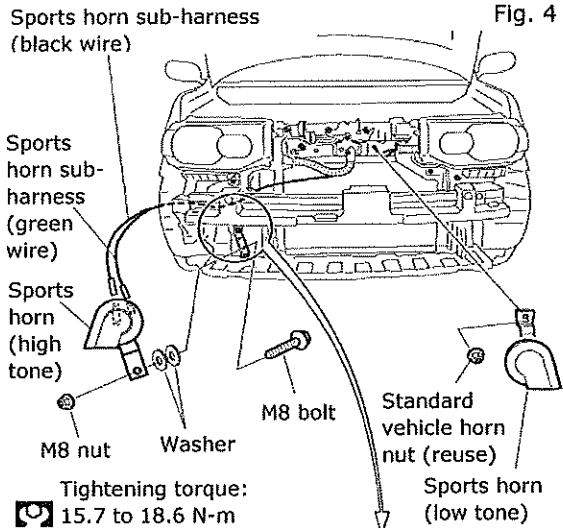
- d) Connect the right and left connectors of the sports horn sub-harnesses (check the wires' colors) to the sports horn, as shown in the connecting diagram. (2 locations each for right and left) See Fig. 3-1.

### ⚠ CAUTION

- Ensure that the sports horn sub-harnesses are correctly connected to the sports horn before installing the sports horn to the vehicle.



## INSTALLATION INSTRUCTIONS - Sports Horn



- e) Align the sports horn and install the fasteners as shown.

See Fig. 4, Fig. 4-1, and Fig. 4-2.

### ⚠ CAUTION

- When installing the sports horn high tone fasteners, hold the sports horn high tone part in place to prevent it from rotating to the right.

### ⚠ CAUTION

- If the sports horn high tone and sports horn low tone are incorrectly installed, it may cause a change in sound quality. Therefore, make sure the sports horns are correctly installed.

- f) Attach the sports horn sub-harnesses to the vehicle harness with tie wraps, as indicated in the wire routing diagram. (3 locations) See Fig. 3 and Fig. 3-2 on the previous page.
- g) Reinstall removed vehicle parts.
- h) Remove any remaining masking tape.

## INSTALLATION INSTRUCTIONS - Sports Horn

### 8. CHECK AFTER INSTALLATION

- 1) Please check that the installation has no problem.
- a) Confirm connection of connector is secure.
  - b) Confirm whether wire harness is fixed.
  - c) Confirm no part moving which will cause rattling noise.
  - d) Confirm harness is protected from damage by sharp bracket edges.

### 9. FUNCTION CHECK

- 1) Re-connect battery negative terminal.
- 2) Check that the horn sounds properly.

### 10. REINSTALLATION OF REMOVED PARTS

- 1) All removed vehicle parts have been reinstalled.

#### CAUTION

- Use caution when re-installing vehicle parts to avoid damage, scratch, or breaking of mounting clips.

- 2) Clean interior of vehicle.

### 11. VEHICLE CHECK

- 1) Remove all tools from the vehicle.
- 2) Inspect reinstalled vehicle parts for proper panel fit.
- 3) Turn ignition to ON position.
- 4) Reset radio presets to the recorded setting.
- 5) Confirm proper radio operation.
- 6) Initialize sun roof, and power window operation.
- 7) Turn ignition to off position.

#### CAUTION

- During reinstallation, please use caution so as not to cause the stacking or pinching of the vehicle's harness, or damage any parts.