

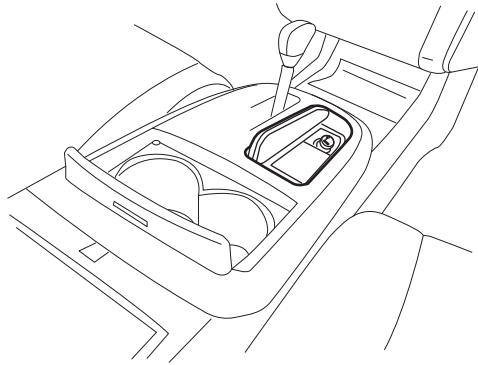


## GENUINE PARTS

### INSTALLATION INSTRUCTIONS

1. DESCRIPTION: Smokers Kit
2. APPLICATION: MURANO (Z51)
3. PART NUMBER: F8800 1AA1A
4. KIT CONTENTS:

Item	Qty.	Description	Part Number
A	1	Smokers Kit	F8800-1AA1A
B	1	Installation Manual	



5. TOOLS REQUIRED:
  - Phillips-head Screwdriver , • Remover , • Flat-blade Screwdriver(Small) , • Long nose pliers

6. PRE-INSTALLATION CAUTIONS/NOTES:

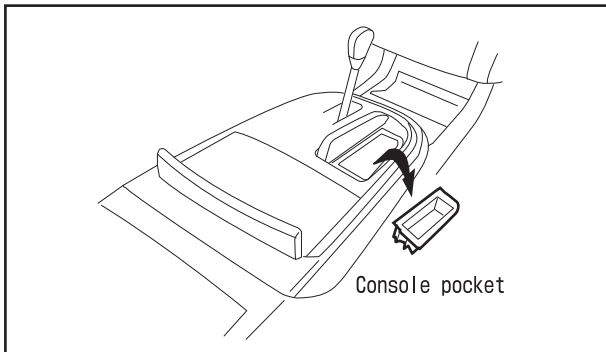
#### CAUTION

- Operate carefully to prevent from damaging other parts of the automobile while installing or removing the parts.
- Install the kit only with the manner instructed in the installation manual.

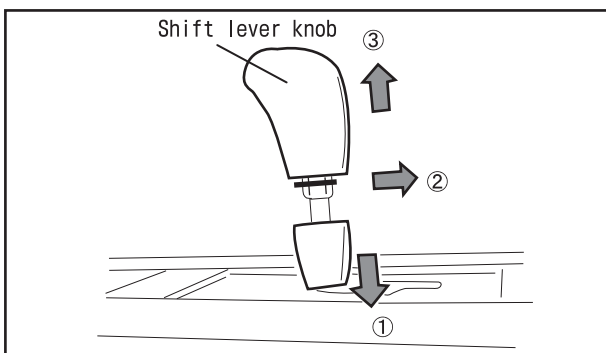
#### NOTE

- Thank you for your choosing Nissan original parts. Please refer to this installation manual to install the kit correctly.
- In order to grasp the overall procedure, read through this installation manual before you start.
- To ensure the product's stable operation, please ask the nearest Nissan dealer to install this kit.

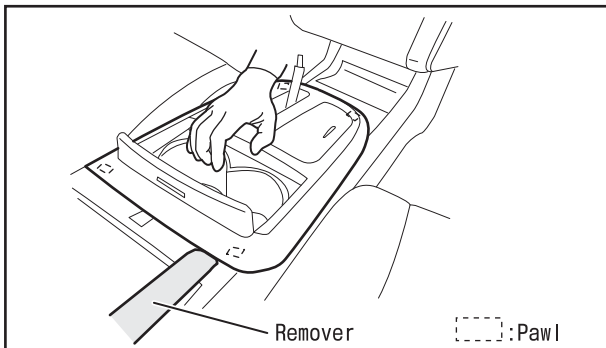
## 7. INSTALLATION PROCEDURE:



1. Turn ignition to "ON" position and write down the preset values of the radio tuner.
2. Set parking brake, then depress brake.
3. Move shift lever to "Drive" position. (note lever must be in D position to remove console)
4. Disconnect battery negative terminal.
5. Remove and discard console pocket.



6. Remove the shift lever knob.
  - ① Slide down the shaft cover.
  - ② Pull off the locking clip to backward.
  - ③ Pull off the shift lever knob.

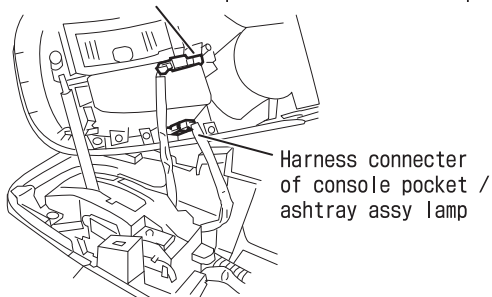


7. Remove A/T finisher assy
  - ① Push the A/T finisher assy forward to create a small gap. Insert a remover to the gap and remove the right side pawl first, then the left side pawl next. Remove the A/T finisher assy.

### CAUTION

- Do not force the A/T finisher assy when removing it.
- Clips may be deformed, or fall.

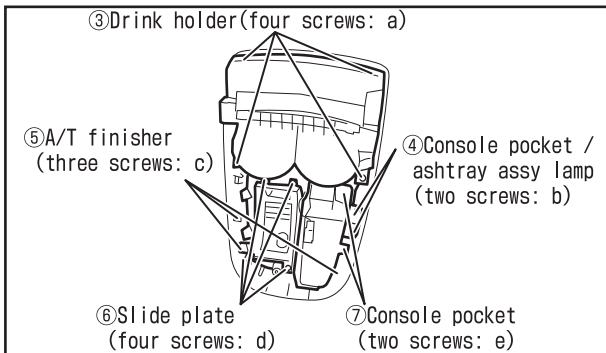
Harness connector of shift position indicator lamp



- ② Disconnect the harness connector of shift position indicator lamp (two terminals) and the console pocket / ashtray assy lamp (two terminals).

# INSTALLATION INSTRUCTIONS

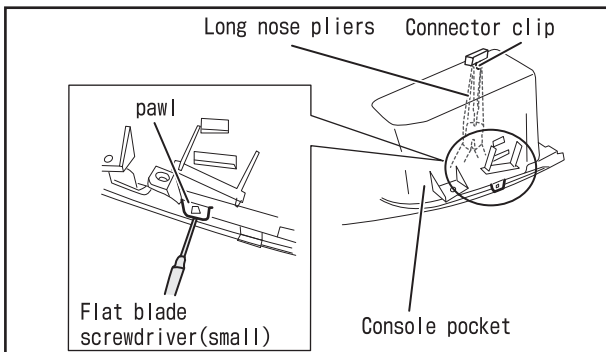
## Smokers Kit



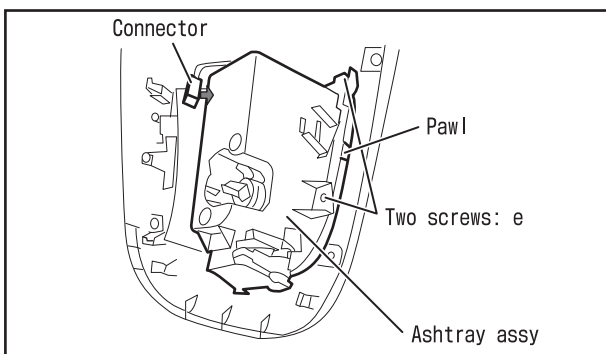
- ③ Detach the drink holder. (four screws: diagram a)
- ④ Detach the console pocket / ashtray assy lamp. (two screws: diagram b)
- ⑤ Remove the A/T finisher. (three screws: diagram c)
- ⑥ Remove sliding plate. (four screws: diagram d)
- ⑦ Unscrew console pocket. (two screws: diagram e)

### ⚠ CAUTION

- Place the A/T finisher assy on a clean and soft surface during assembling and disassembling the unit.

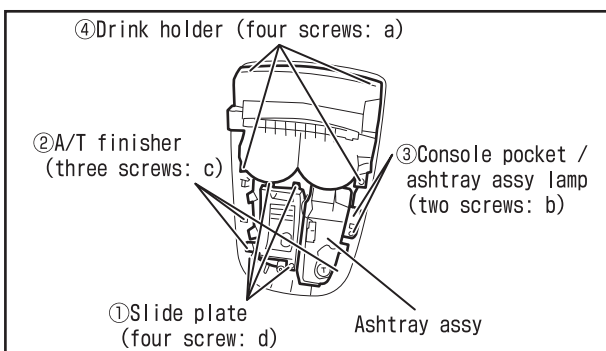


- ⑧ Unhook the pawl with a flat blade screwdriver (small).
- ⑨ From the inside of the console pocket, detach the clip of the harness connector using long nose pliers.



### 8. Installing the ashtray assy.

- ① Attach the ashtray assy to the space where the console pocket was. (Two screws: diagram e, one pawl + harness connector)



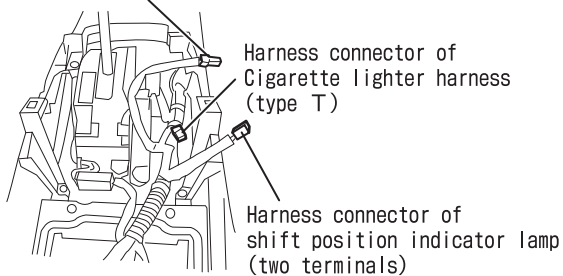
### 9. Assembling the detached parts.

- ① Attach the slide plate. (four screws: diagram d)
- ② Assemble the A/T finisher. (three screws: diagram c)
- ③ Return the console pocket/ashtray assy lamp to the original position. (two screws: diagram b)
- ④ Return the drink holder to the original position. (four screws: diagram a)

## INSTALLATION INSTRUCTIONS

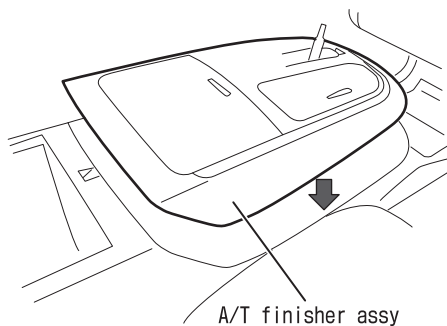
## Smokers Kit

Harness connector of console pocket / ashtray assy indicator lamp (two terminals)

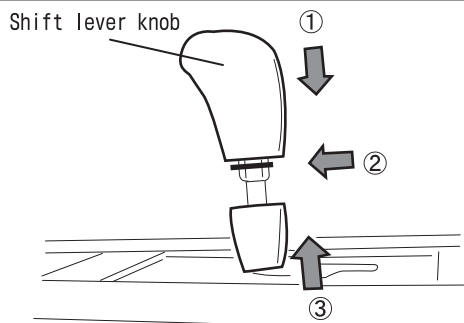


- ⑤ Take off the cigarette lighter harness connector (type T) taped on the car body harness inside the center console, and connect it to the rear side terminal of the cigarette lighter.
- ⑥ Connect the harness connector of the shift position indicator lamp (two terminals) and the console pocket / ashtray assy lamp (two terminals).

- ⑦ Attach the A/T finisher assy to the original



- ⑧ Attach the shift lever knob by the exact reverse order of detaching it previously.



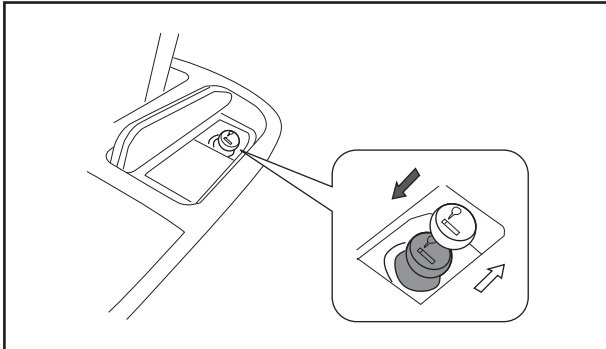
10. Connect the negative (-) terminal of the battery.
11. Reset the radio tuner and the clock.

### 8. FINAL INSPECTION:

#### CAUTION

- Check if the console pocket / ashtray assy lamp is on.
- Check if the A/T shift position indicator lamp is on.
- Check if the cigarette lighter is fully operational.
- Look close to the outer shell of the A/T finisher assy and trimming lines to see if there is any crack, scratch or dent.

9. CAUTIONS IN OPERATIONS:

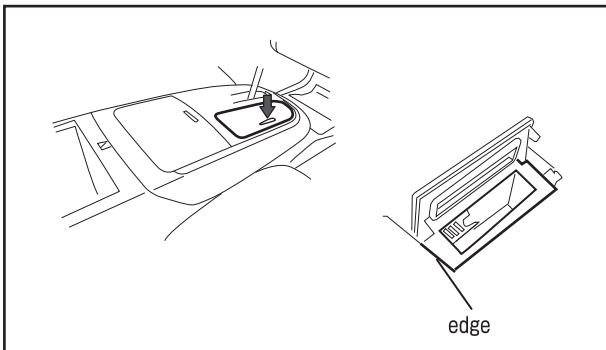


Cigarette Lighter

- Cigarette lighter is operable when the ignition key is set to "Acc" or "ON."
- Push in the cigarette lighter and wait for 10 seconds.
- The cigarette lighter is ready to use when it pops back up to the original position automatically.

**!** CAUTION

- Do not operate the cigarette lighter while the automobile is running. It may cause unforeseen accidents by distracting driver's sight.
- Do not touch the metal parts of the cigarette lighter. It may cause burn.
- Do not keep holding down the cigarette lighter to the socket to prevent it from over heating.
- Do not use cigarette lighter from any other automobile, nor connect any appliances to the cigarette lighter socket other than NISSAN original products to prevent from unforeseen burn and fire.
- Cigarette lighter creates extreme heat and may deform or burn resin parts and products when contacted directly.



Ashtray

- Push the lid to open.
- Push back the lid to close.

**!** CAUTION

- Hold the edge of the ashtray when detaching.
- Push in the ashtray to return it to its position.
- Confirm the matches and cigarettes put off completely before closing the lid. Do not dispose any burnable object such as paper to the ashtray to prevent from possible fire.
- Cigarette creates extreme heat and may deform or burn resin parts and products when contacted directly other than to the ashtray.