



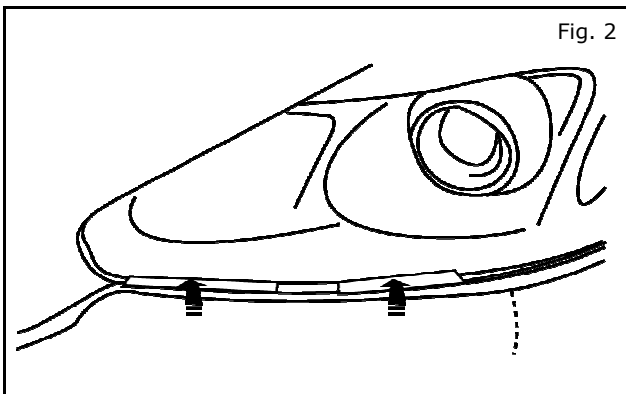
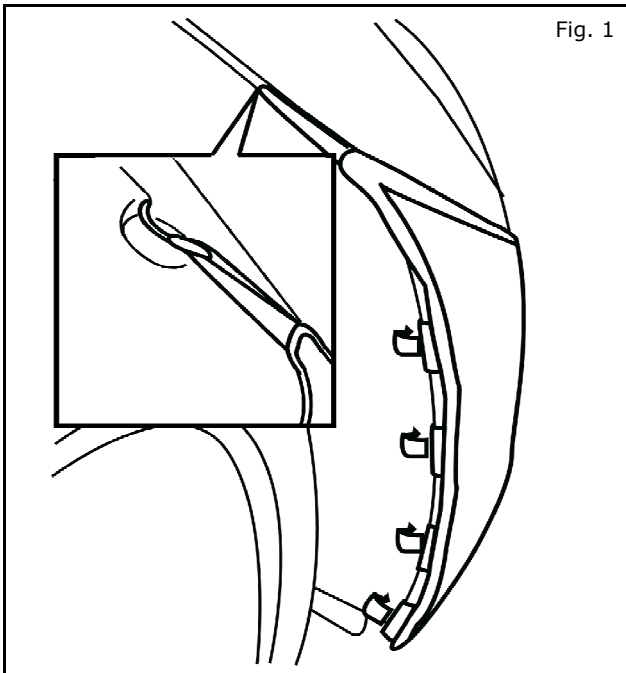
GENUINE PARTS

INSTALLATION INSTRUCTIONS

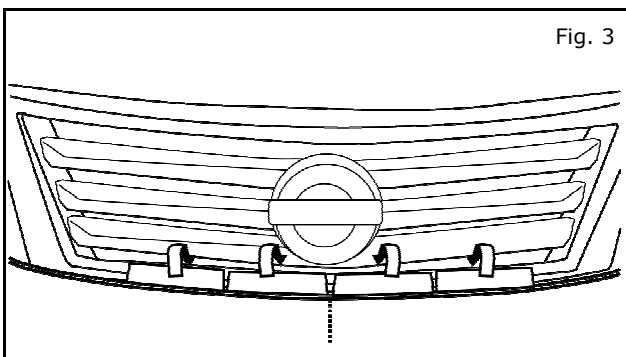
DESCRIPTION:	Nose Mask														
APPLICATION:	Altima (2013)														
PART NUMBER:	Nose Mask (999N1 UZ000)														
KIT CONTENTS:															
<table border="1"><thead><tr><th>Item</th><th>QTY</th><th>Part Description</th><th>Service Part Number</th></tr></thead><tbody><tr><td>A</td><td>1</td><td>Nose Mask</td><td>N/A</td></tr><tr><td>B</td><td>1</td><td>Installation Instructions Replacement Template</td><td>N/A</td></tr></tbody></table>	Item	QTY	Part Description	Service Part Number	A	1	Nose Mask	N/A	B	1	Installation Instructions Replacement Template	N/A			
Item	QTY	Part Description	Service Part Number												
A	1	Nose Mask	N/A												
B	1	Installation Instructions Replacement Template	N/A												
TOOLS REQUIRED:															
<ul style="list-style-type: none">• Scissors• Phillips Screwdriver															
PRE-INSTALLATION CAUTIONS/NOTES:															
<ul style="list-style-type: none">• The area to be covered by the mask must be free of dirt. The flannel surface of the nose mask must be especially clean.• Both the vehicle and the mask must be completely dry. If moisture is present under the mask and is allowed to dry, it may cause the paint to cloud. If mask gets wet, remove and allow to dry completely.• Any repainted surface in contact with mask must be completely cured.• DO NOT pull the mask from any of the openings when installing the mask. This may result in DAMAGE to your mask.• If the nose mask should flap due to high speed or wind conditions, stop car and adjust or remove mask.															
CARE OF NOSE MASK:															
<ul style="list-style-type: none">• To clean the vinyl and flannel backing, use a cleaner such as "409" or "Fantastic".• The vinyl surface may be cleaned by simply spraying the cleaner onto the vinyl and wiping off with a cloth or sponge.• To clean the flannel backing, liberally spray the cleaner on the area to be cleaned. If heavily soiled, use a cloth or sponge with the cleaner and rub the soiled area gently. Repeat if necessary. Rinse completely with clear water when finished. Hang to dry, but not in direct sunlight. Before installation, ensure both the vehicle and the nose mask are completely dry. If there is moisture under the nose mask and it is not allowed to dry, paint clouding can occur.															
▲ CAUTION															
Caution attach all elastics with hooks and clips carefully and securely. Accidental release may cause injury.															

INSTALLATION PROCEDURE:

- 1) Remove license plate and license plate bracket (if applicable).
 - a) Remove 2 license plate screws.
 - b) Remove 2 license plate bracket screws.
- 2) Install mask in wheel wells.
 - a) Attach hook above & behind clip on each side.
 - b) Pull mask down.
 - c) Attach 4 clips to inside edge of fascia.
 - d) Repeat step c) on other side.

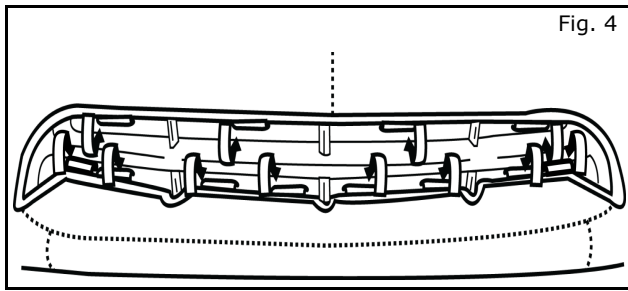


- 3) Install mask at headlights.
 - a) Insert the pads into the gap under the headlight.
 - b) Perform step a) on other side.

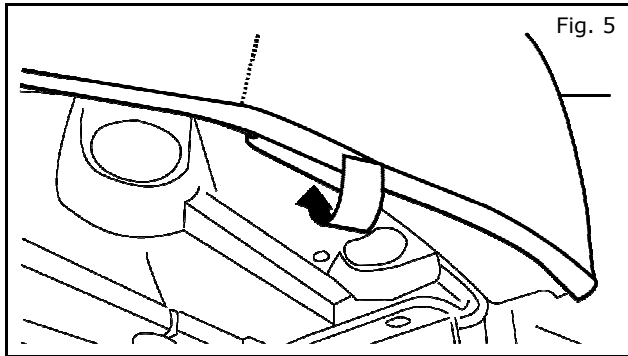


- 4) Secure mask at front upper grille.
 - a) Insert 4 pads into gap between the upper grille and front fascia.

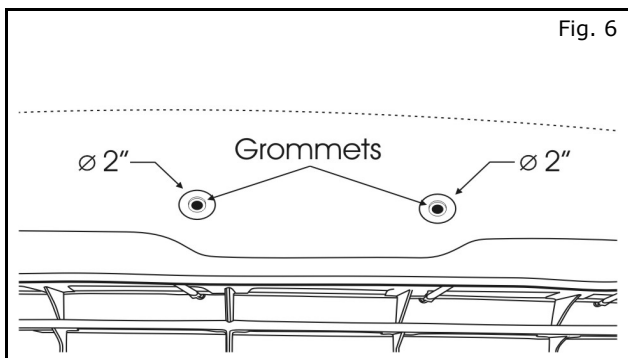
INSTALLATION PROCEDURE: (continue)



- 5) Secure mask at front lower grille.
 - a) Attach 4 clips to the upper edge of the lower grille.
 - b) Attach 8 clips to the lower edge of the lower grille.



- 6) Secure mask at front bumper.
 - a) Attach clip to back edge of front bumper.
 - b) Perform step a) on other side.



- 7) Reinstall License plate and license plate bracket (if applicable).
 - a) Poke holes through mask into center license plate brackets grommets.
 - b) Cut clearance holes (1"-2" so that license plate bracket pads will rest on fascia).
 - c) Reinstall license plate bracket and plate.