



## GENUINE PARTS

### INSTALLATION INSTRUCTIONS

<b>1. DESCRIPTION:</b>	Accent light Kit
<b>2. APPLICATION:</b>	Sentra
<b>3. PART NUMBER:</b>	999F3 LZ100 - Accent Lighting Kit.

<b>4. KIT CONTENTS:</b>			
Item	QTY	Description	Service Part Number
A	1	Control module	999F3 AW004
B	1	LED Lamp and harness assembly	999F3 UZ011
C	1	Vehicle Interface Harness	999F3 AW050
D	1	Encoder Switch	999F3 AW006
E	1	Encoder Knob	999F3 AW002
F		Miscellaneous Parts Kit	999F3 XZ100

**NOTE:**  
**ACCESSORY HARNESS MAY BE REQUIRED. NOT INCLUDED IN KIT. REFERENCE PART NUMBER 999Q9 AY000.**

<b>5. TOOLS REQUIRED</b>
<ul style="list-style-type: none"> <li>• Trim stick</li> <li>• Needle nose pliers</li> <li>• #2 Phillips screwdriver</li> <li>• Drill Motor</li> <li>• 3/16" and 5/16" drill bits</li> <li>• Electrical tape, masking tape.</li> <li>• Scissors</li> <li>• Protective cloth</li> </ul>

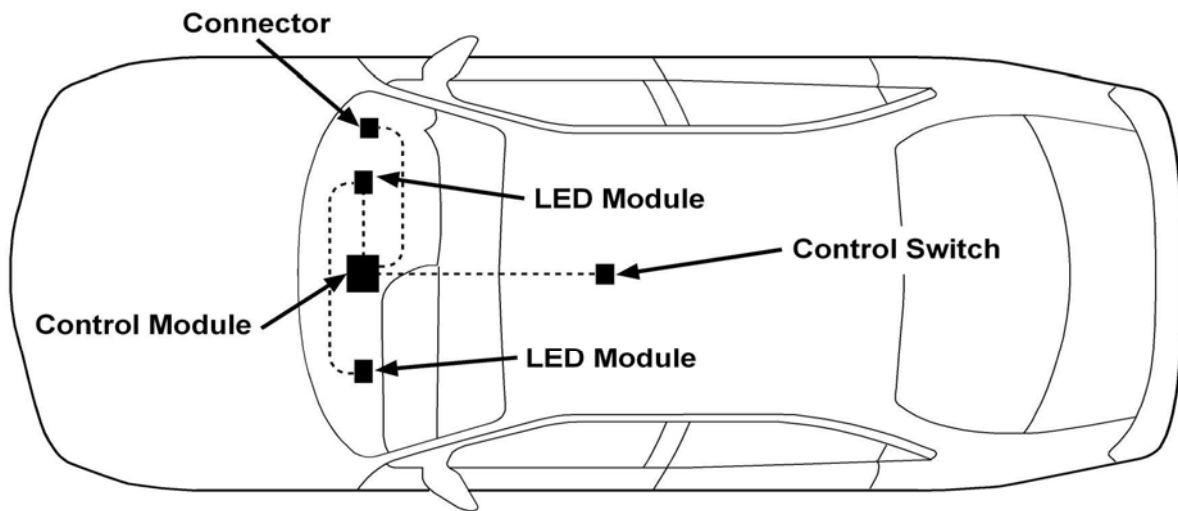
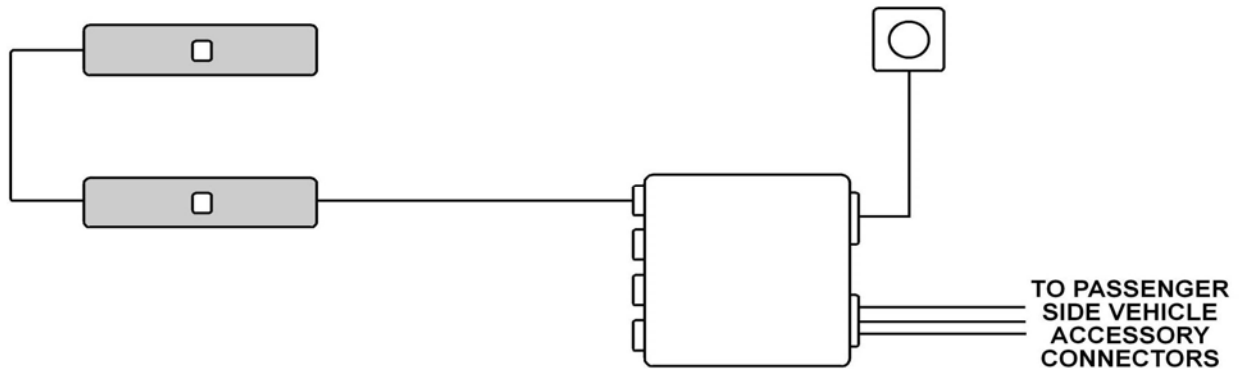
<b>6. PRE-INSTALLATION CAUTION/NOTES</b>
<ul style="list-style-type: none"> <li>• Dealer installation recommended. Instructions may refer to Service Manual</li> <li>• Installation may require special tools</li> <li>• This part is to be installed within a surface temperature range of 65-100°F</li> </ul>

**⚠ CAUTION**

- This accessory must only be installed as specified in these instructions.
- Ensure at all times that parts are securely fitted and will not compromise the safe function of vehicle systems.

# INSTALLATION INSTRUCTIONS - Accent lighting Kit

## 7. INSTALLATION OVERVIEW



## 8. CRITICAL STEPS

The following steps are critical and must be performed **EXACTLY** as specified to ensure proper installation:

- Location of the lights must be followed exactly as described in this instruction.
- Posi-Tap™ instructions must be specifically followed as described.

**Vehicle Preparation:**

**⚠ CAUTION**

• **Always confirm the ignition is in the "OFF" position before changing the switch condition.**

- 1) Apply parking brake
- 2) Confirm vehicle is not in the default shipping state or "Inventory position" as shown below. Failure to confirm vehicle has been removed from this state will result in loss of normal vehicle operation.
- 3) Locate Extended Storage Switch in cabin fuse block. Confirm it is in the "Customer" position. See below for reference.

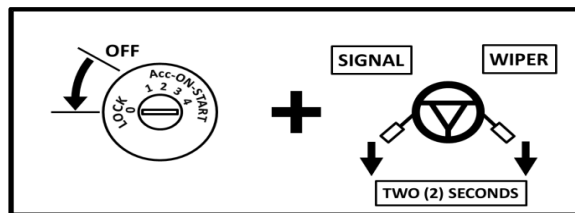
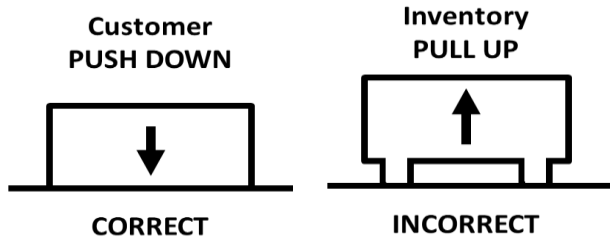
a) To remove transit mode (Fuse Block):

1. Remove fuse cover lid.
2. Push down shorting pin.
3. Ign On 2 times without starting the vehicle.

b) To remove transit mode (BCM):

1. Confirm ignition switch is in "OFF" position.
2. Simultaneously push the signal and wiper switch fully down for two (2) seconds.

**NOTE:** While in BCM Transit Mode, turn signal indicators will remain illuminated for one minute.



c) To return to transit mode for storage:

1. Ign Off.
2. Remove fuse cover lid.
3. Pull up shorting pin.
4. Assemble fuse cover lid.
5. Ign On 2 times without turn the vehicle on.
6. Confirm transit mode condition on meter

**NOTE:** Typical vehicle condition shown above. Switch is easily identifiable by the permanent, push-pull fuse holder. Actual position on the fuse block may vary, vehicle to vehicle.

Condition	Switch Position	Note
Vehicle is delivered to the dealer	Inventory Condition	
Technician performs PDI	Customer Delivery	Return to Inventory position after PDI.
Customer test drives the vehicle	Customer Delivery	Return to Inventory position after test drive.
Vehicle is being stored at the dealer	Inventory Condition	
Vehicle is delivered to customer	Customer Delivery	

**NOTE:** The Extended Storage Switch is only an aid to improve battery life during vehicle storage at the dealer. If the Extended Storage Switch fuse ever needs service after vehicle delivery, discard the Extended Storage Switch and install the correct fuse in its place.

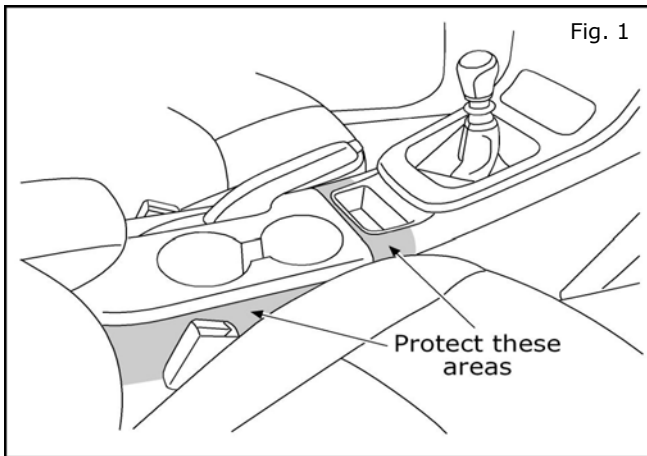
- 4) Turn ignition switch to "ON" position
- 5) Record the customer radio presets and other presets as required.

Preset	1	2	3	4	5	6		

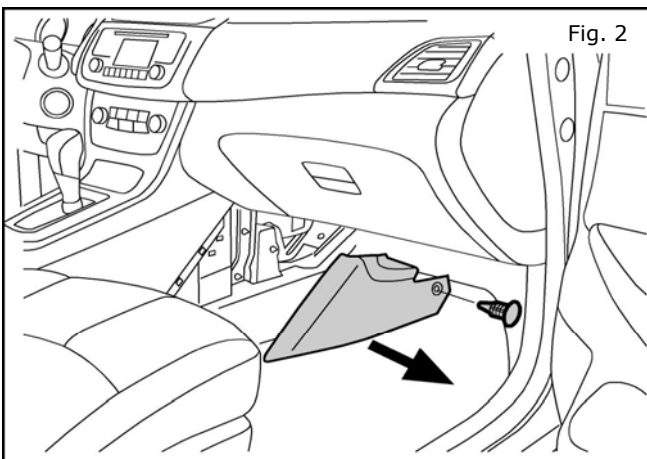
- 6) Put shift lever in "P" position for A/T and CVT or "1st" for M/T
- 7) Turn ignition switch to "OFF" position
- 8) Use seat and floor protection.

# INSTALLATION INSTRUCTIONS - Accent Lighting Kit

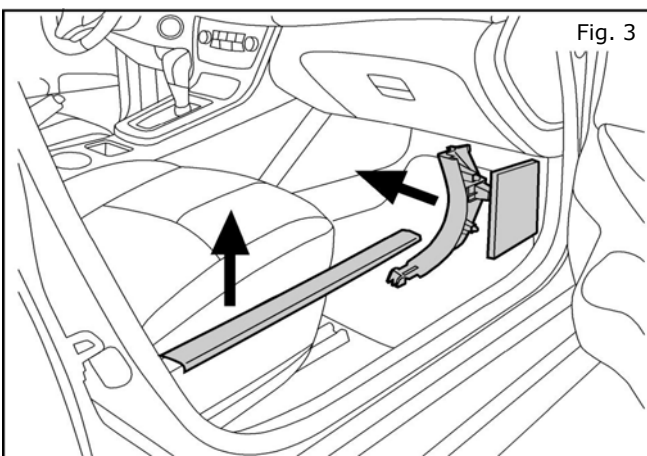
## 11. INTERIOR PREPARATION



1. **CAUTION: BE SURE TO PREP INTERIOR SURFACES WITH PROTECTIVE CLOTH OR LOW TACK MASKING TAPE TO PREVENT ANY SCRATCHING OR BLEMISHES TO THE INTERIOR**



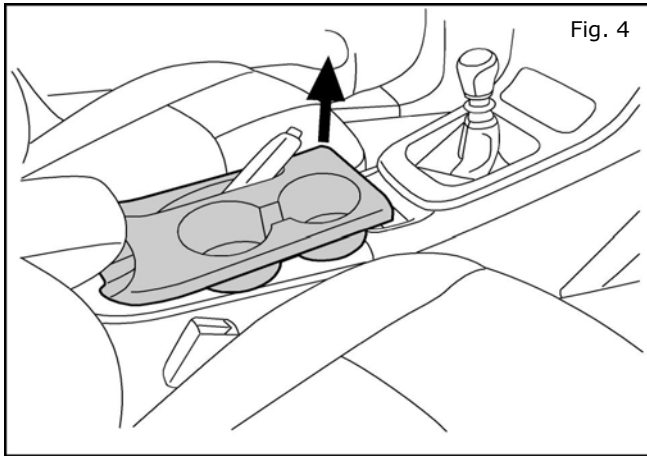
2. Carefully pry out retainer clip and center footwell panel from the passenger side of the center stack.



3. Carefully remove passenger side door sill trim panel, the outer footwell panel and the foam cover panel as shown.

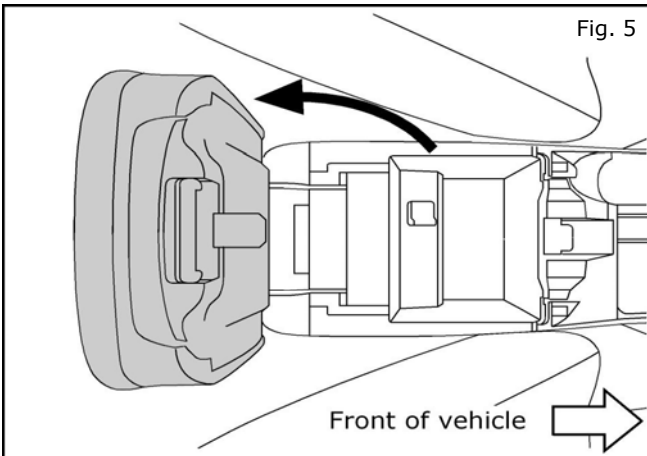
# INSTALLATION INSTRUCTIONS - Accent Lighting Kit

## 12. INSTALLATION

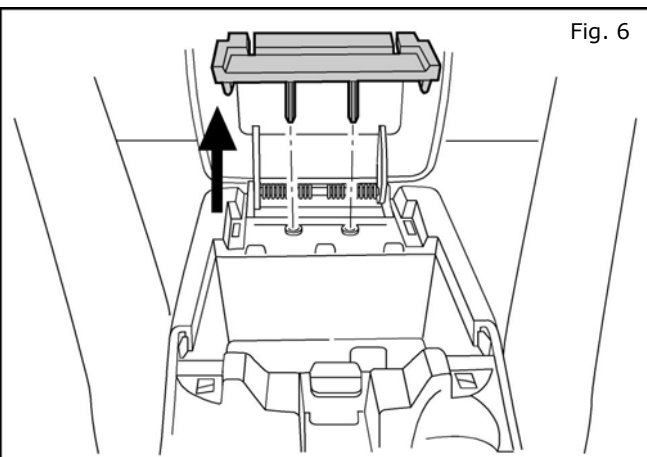


4. Carefully remove cupholder trim panel.

**Note: Be sure emergency brake lever is in raised position.**



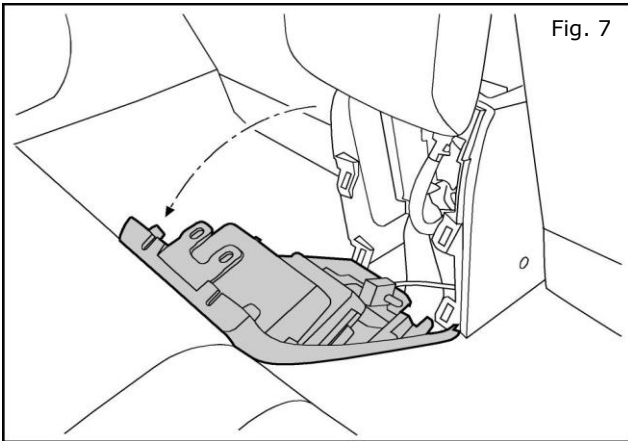
5. Open the center armrest storage compartment.



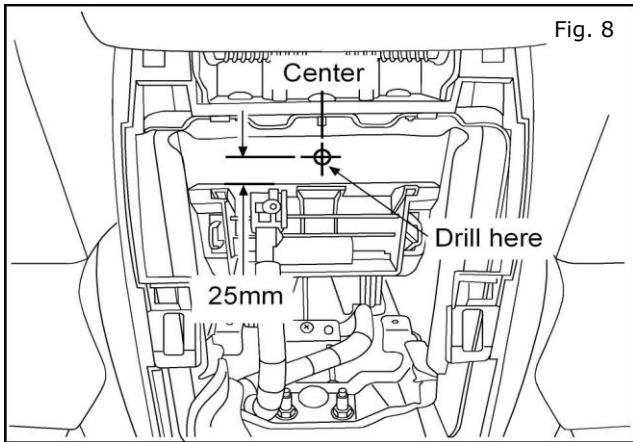
6. Remove retainer clip panel at the back.

# INSTALLATION INSTRUCTIONS - Accent Lighting Kit

## 12. INSTALLATION



7. Carefully pry off cover panel from the rear of the center console.

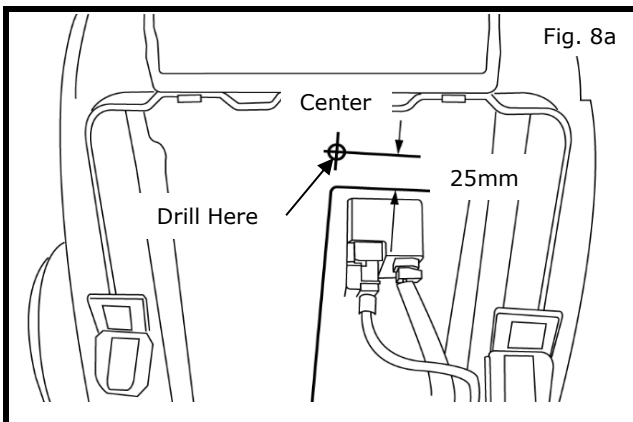


8. Depending on storage compartment shape, refer Fig. 8 or 8a.

Measure and mark across the top of the storage compartment to establish center. Measure and mark 25mm (1") up from the bottom edge as shown in Fig 8 & 8a.

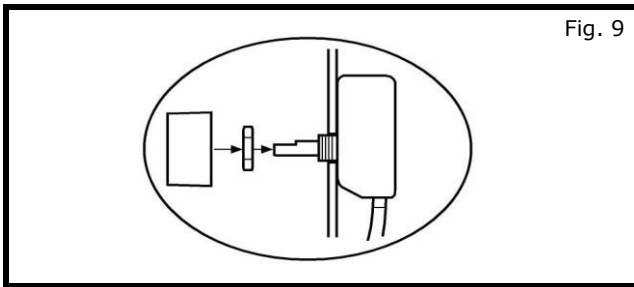
Using a 5/16" drill bit and a drill motor, carefully drill a hole for the encoder.

**Note: Deburr hole after drilling. Clean up any plastic shavings from work area.**



# INSTALLATION INSTRUCTIONS - Accent Lighting Kit

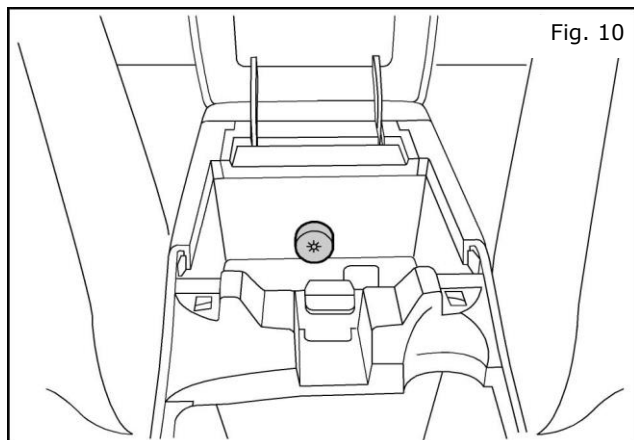
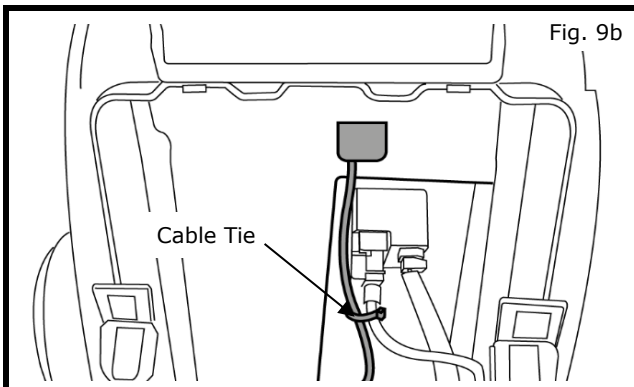
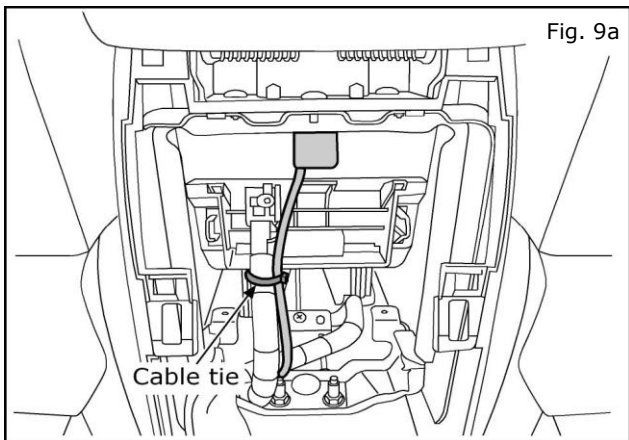
## 12. INSTALLATION



9. **Install** the encoder so that the shaft is inside the back of the armrest storage compartment (as shown in Fig. 9a or 9b, depending on compartment trim).

Use 11mm nut to secure the encoder.

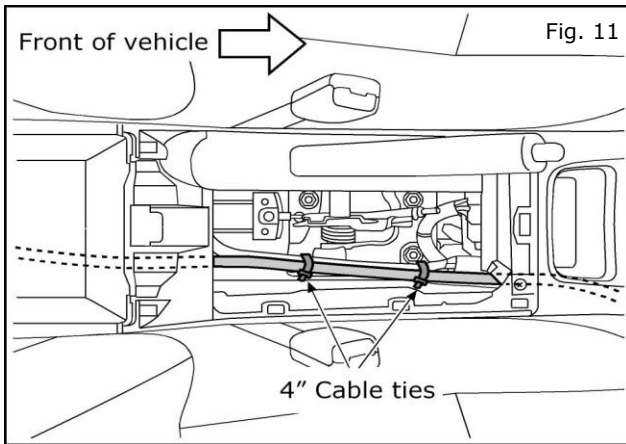
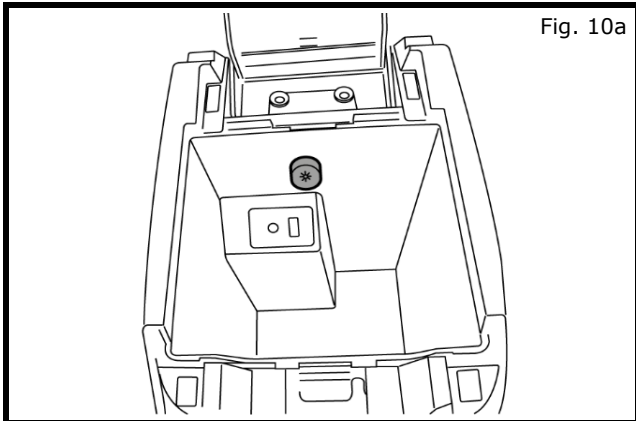
Secure the encoder wire to the existing harness with a cable tie as shown.



10. Depending on the trim types shown in Fig. 10 & 10a, Install the encoder control knob.

# INSTALLATION INSTRUCTIONS - Accent Lighting Kit

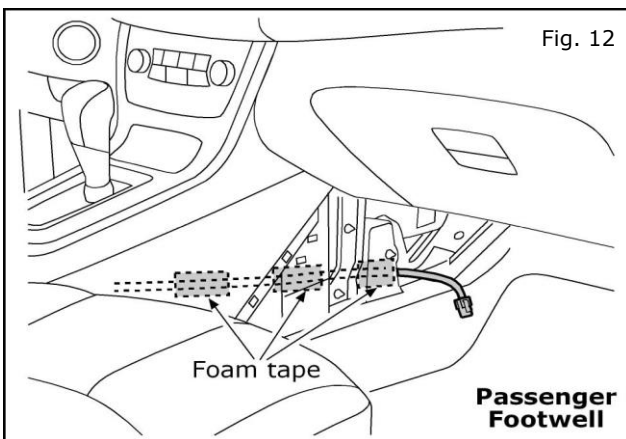
## 12. INSTALLATION



11. Route encoder wiring harness forward through the center console and up towards the center stack. Secure with two (2) 4" cable ties, as shown.

**Ideal cable tie spacing is 100mm to 120mm.**

**NOTE: Trim all cable ties before you continue.**

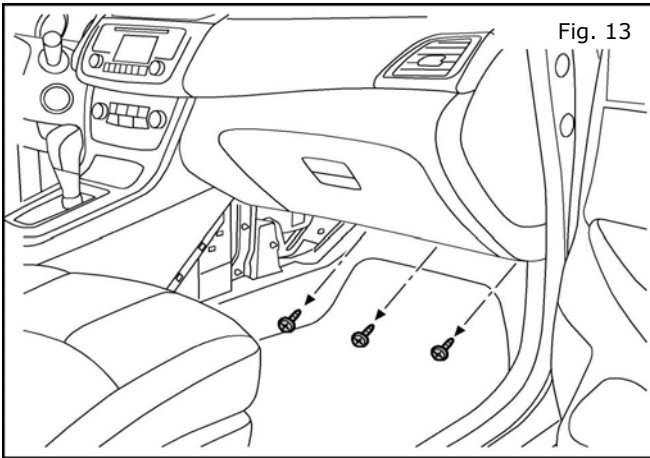


12. Route encoder wiring harness up through the center stack and out to the passenger side footwell. Secure harness inside center stack with foam tape.

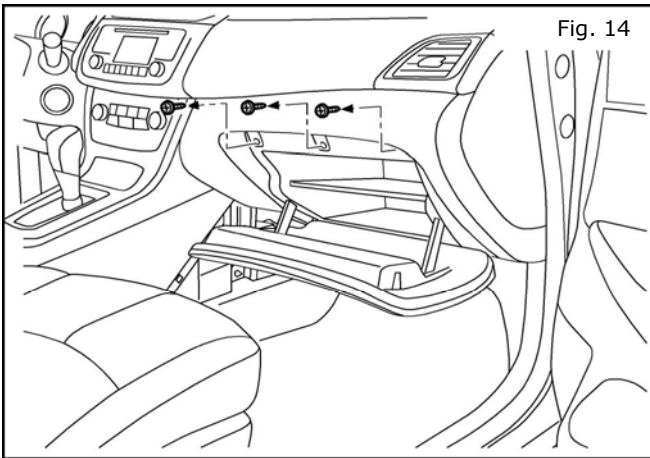


# INSTALLATION INSTRUCTIONS - Accent Lighting Kit

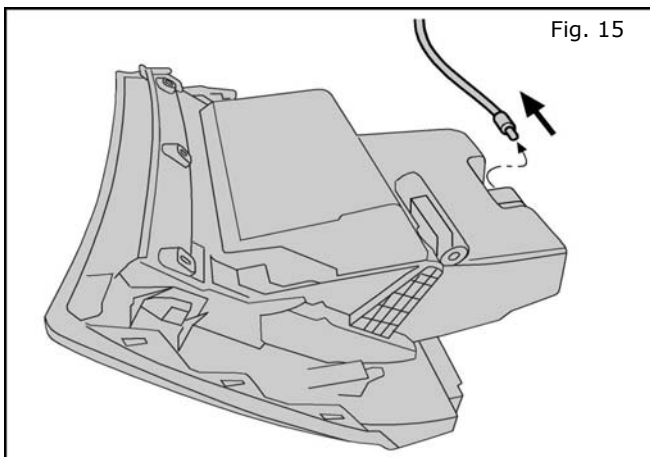
## 12. INSTALLATION



13. Remove three (3) phillips head screws from the underside of the glovebox.



14. Open the glovebox door. Remove three (3) phillips head screws from inside the glovebox compartment.



15. Carefully pull out the glovebox assembly. Carefully unplug and remove the glovebox lamp. Fully remove the glovebox assembly and set aside.

**Note:** Place glovebox assembly on a protected work surface to avoid any scratches or damage.

# INSTALLATION INSTRUCTIONS - Accent Lighting Kit

## 12. INSTALLATION

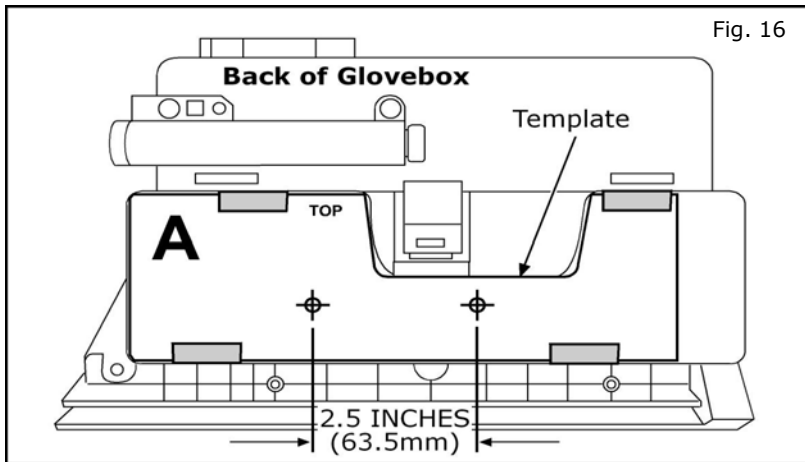


Fig. 16

16. Trim out template "A" and tape in place on back of glovebox as shown. The template should be positioned along the bottom and left edge with the letter "A" in the upper left hand corner.

Mark and drill two (2) 3/16 inch holes at the locations indicated on the template. Remove the template. Clean any flashing from the hole.

17. Using two (2) phillips screws from the inside of the glovebox cavity, securely attach the two (2) "L" brackets with U nuts to the rear of the glovebox.

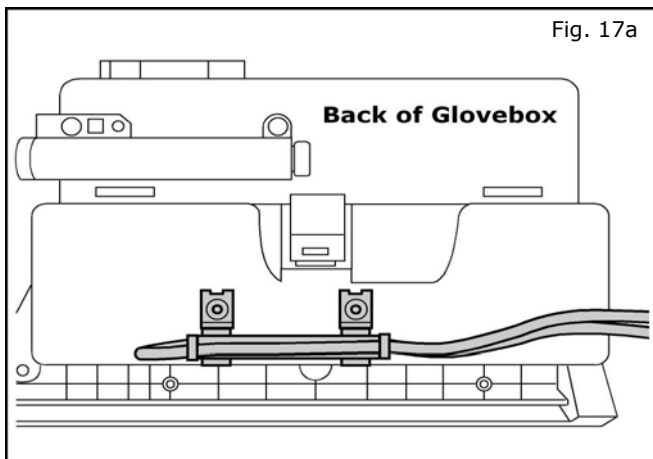


Fig. 17a

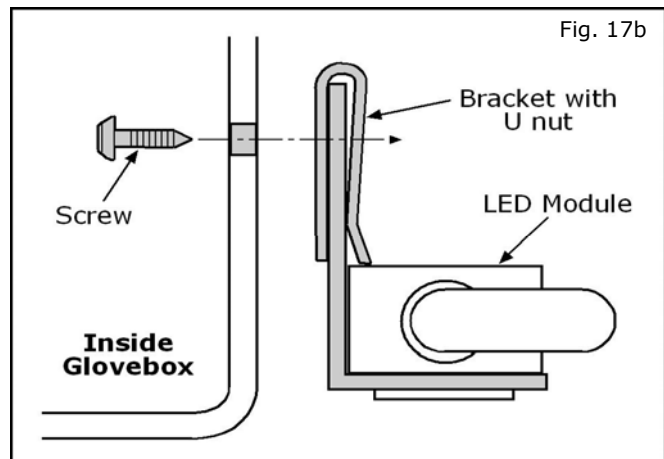


Fig. 17b

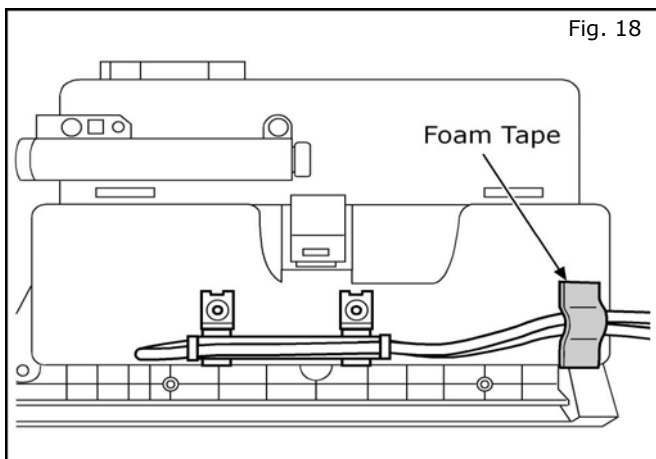
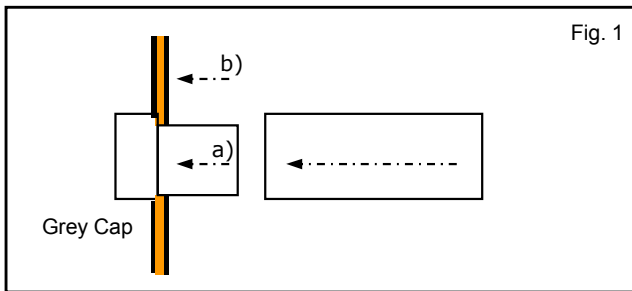


Fig. 18

18. Secure the harness to the back of the glovebox with foam tape as shown.

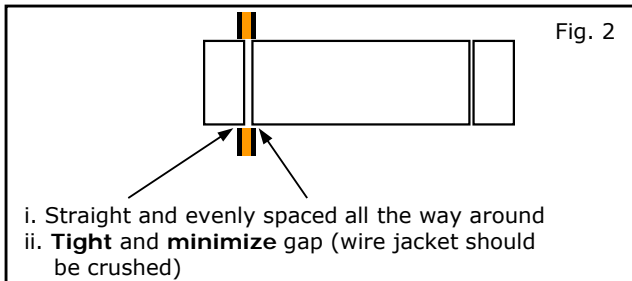
# INSTALLATION INSTRUCTIONS - Accent Lighting Kit

## 13. POSI TAP INSTRUCTIONS



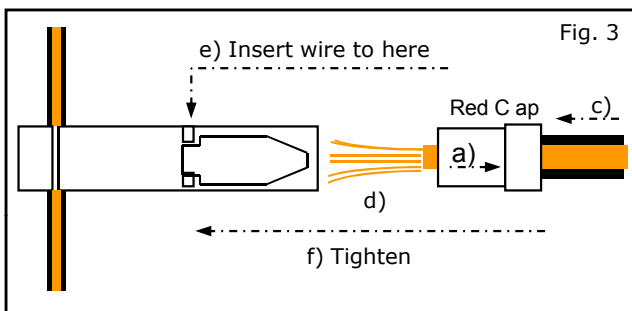
- 1) Tap vehicle wire.
  - a) Remove grey cap (slot side) from tap body.
  - b) Slide cap around vehicle wire.
  - c) Tighten the tap **TIGHT** with finger pressure.

**NOTE: Do not re-use the tap for subsequent re-installation. Figures are not to scale**

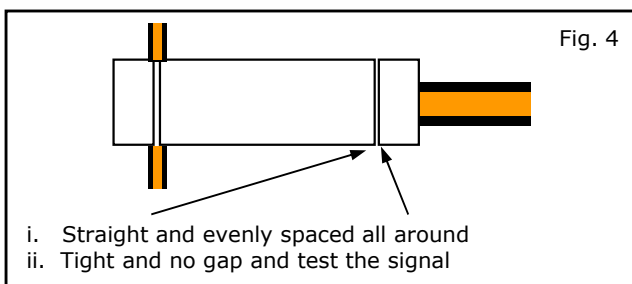


- 2) Inspect the tap to ensure correct installation.

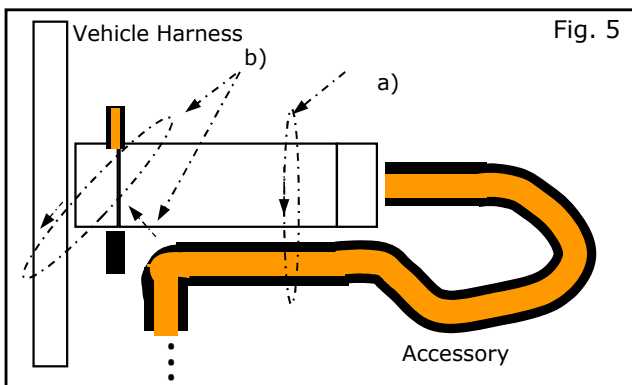
**NOTE: Avoid putting pressure on the vehicle wire and tap for the remainder of the installation.**



- 3) Inspect the tap to ensure correct installation.
  - a) Remove red cap (non-pierce) side from tap.
  - b) Remove the protective stub from the wire.
  - c) Insert wire through the non-pierce side opening.
  - d) Spread the individual strands into fan shape.
  - e) Insert wire into the tap body and ensure that it is all the way in.
  - f) Tighten the tap **TIGHT** with finger pressure.



- 4) Confirm the tapped accessory wire.
  - a) Inspect the tap to ensure correct installation.
  - b) Test the signal to ensure that it is working properly.



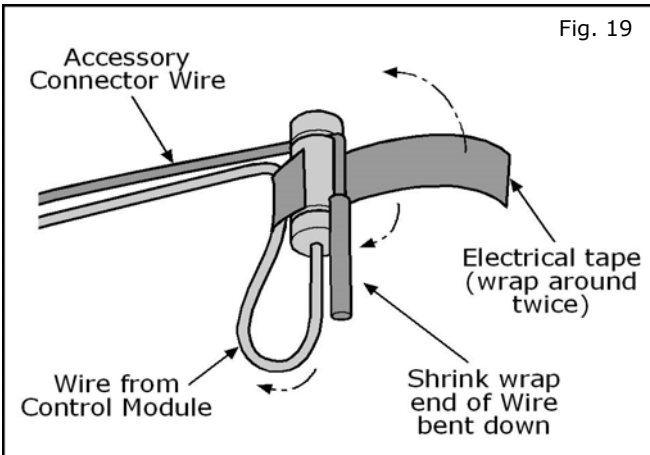
- 5) Secure the tap.
  - a) Secure the tapped wire on the non-pierce side to the body of the tap with electrical tape ( $\geq 2$  revolutions).
  - b) Secure the body to harness where vehicle wire is being tapped with electrical tape ( $\geq 2$  revolutions).

# INSTALLATION INSTRUCTIONS - Accent Lighting Kit

## 14. INSTALLATION

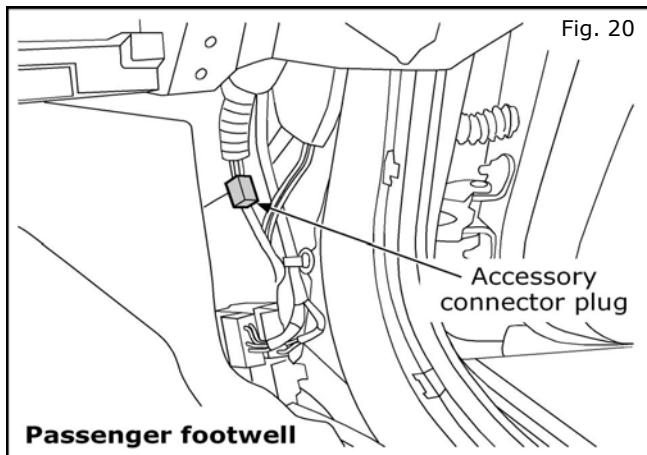
### CAUTION

- If a vehicle wire is being used by another accessory and a posi-Tap is present, tap the accessory wire NOT the vehicle wire.



19. Follow this finishing procedure on all **posi-taps**. Leave a short length of wire extended past the posi-tap and bend down as shown. Use electrical tape to secure the extra wire against the posi-tap with at least two revolutions.

**Note:** Make sure that the end of the wire is completely covered by the tape.

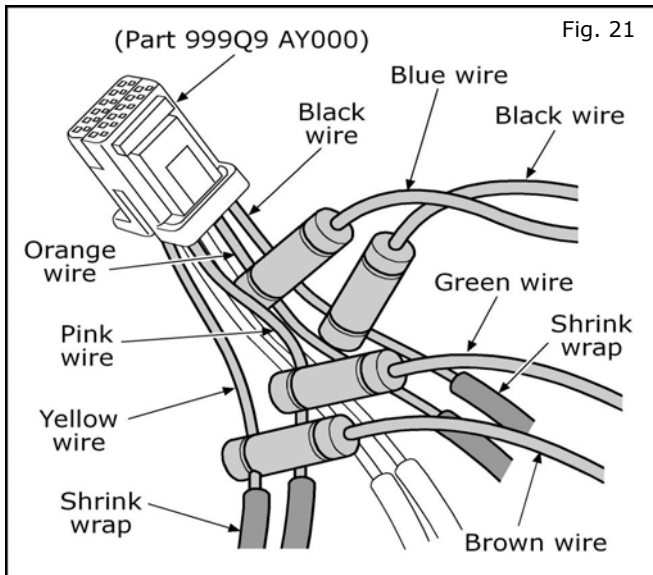


20. Locate the **passenger side** Accessory Connector plug. It will be below the glovebox on the right side.

**Note:** A previously installed accessory may be present. If so, carefully remove the accessory connector harness from the accessory connector plug before posi-tapping. It is recommended that all posi-tapping be completed before reattaching the accessory connector harness to the plug.

# INSTALLATION INSTRUCTIONS - Accent Lighting Kit

## 14. INSTALLATION



21. Using a posi-tap, connect the **Black** wire from the power harness to the **Black** wire on the Accessory Connector Harness.

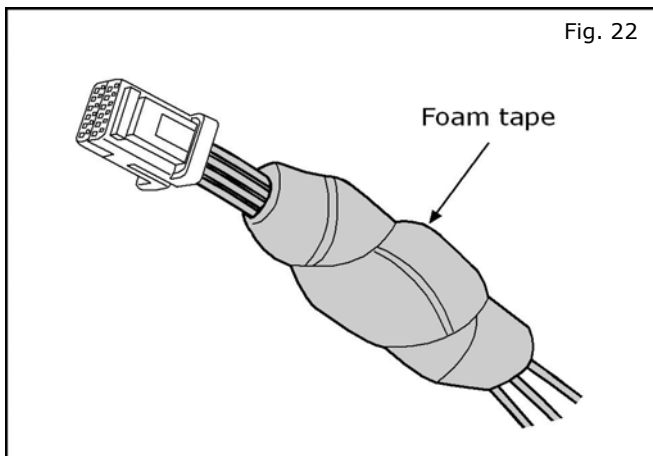
Using a posi-tap, connect the **Green** wire from the power harness to the **Pink** wire on the Accessory Connector Harness.

Using a posi-tap, connect the **Brown** wire from the power harness to the **Yellow** wire on the Accessory Connector Harness.

Using a posi-tap, connect the **Blue** wire from the power harness to the **Orange** wire on the Accessory Connector Harness.

**Note:** Be sure **NOT** to posi-tap through the shrink wrap tubing.

**HARNESS NOT INCLUDED IN KIT.**  
**REFERENCE PART NUMBER**  
**999Q9 AY000.**

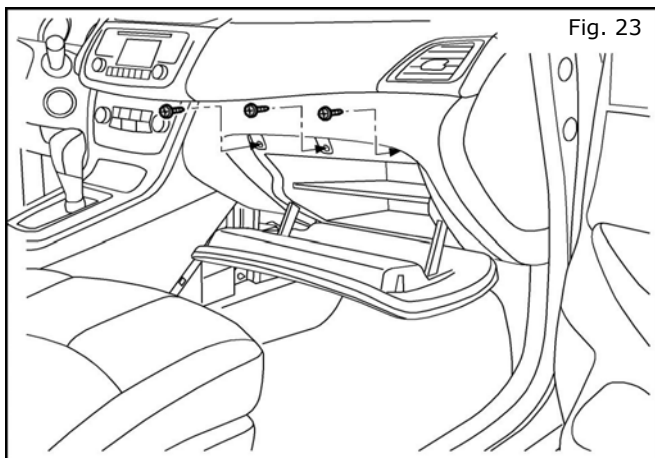


22. Wrap the posi-taps with foam tape to prevent rattle.

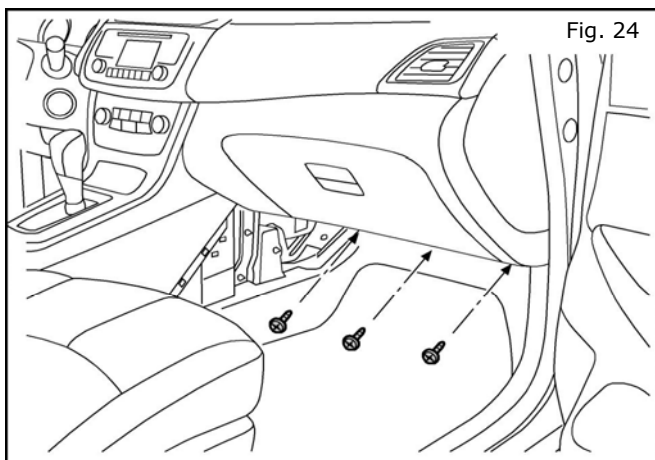
**Plug** the Accessory Connector Harness into the vehicle connector plug on the passenger side.

# INSTALLATION INSTRUCTIONS - Accent Lighting Kit

## 13. INSTALLATION



23. **Reinstall** the glovebox. **Reinstall** three (3) phillips head screws from inside the glovebox compartment.

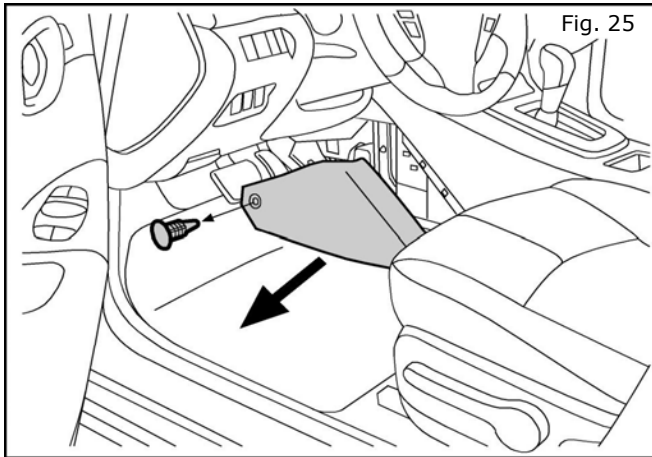


24. **Reinstall** three (3) phillips head screws from the underside of the glovebox.

# INSTALLATION INSTRUCTIONS - Accent Lighting Kit

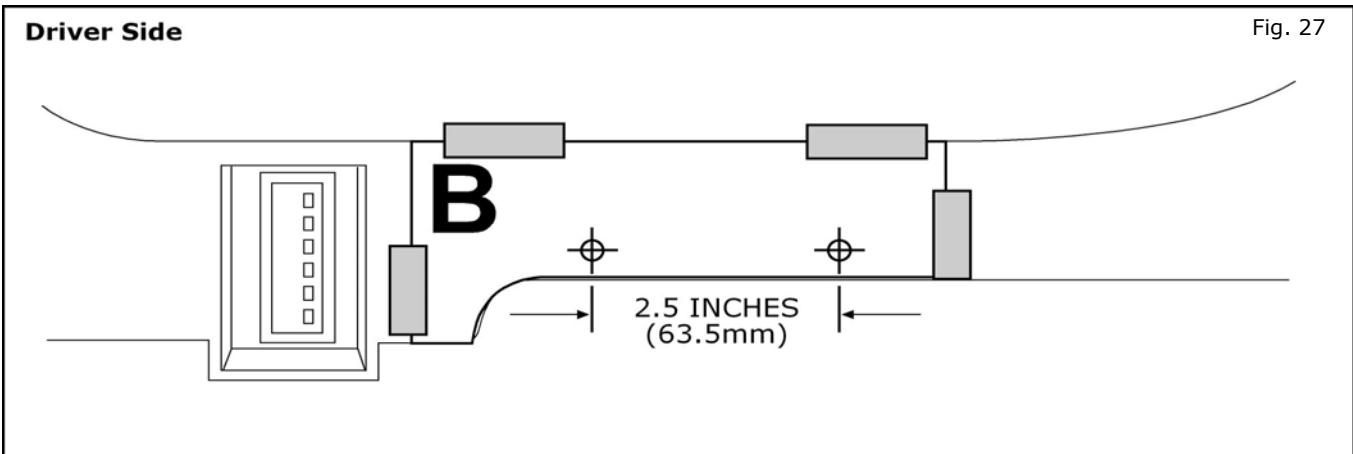
## 13. INSTALLATION

### DRIVER SIDE LED MODULE INSTALLATION



25. Carefully pry out retainer clip and center footwell panel from the driver side of the center stack.

26. Feed the driver side LED module through behind the center stack to the driver side footwell.

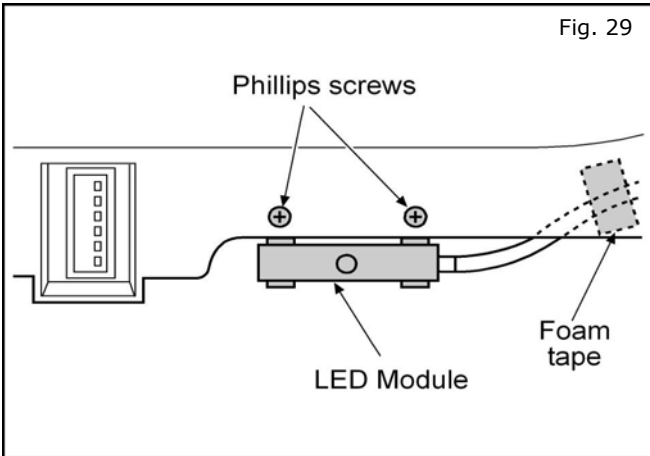


27. Trim out template "B" and tape into place on bottom of the steering finisher as shown. The template should be positioned along the bottom edge with the letter "B" on the left hand side.

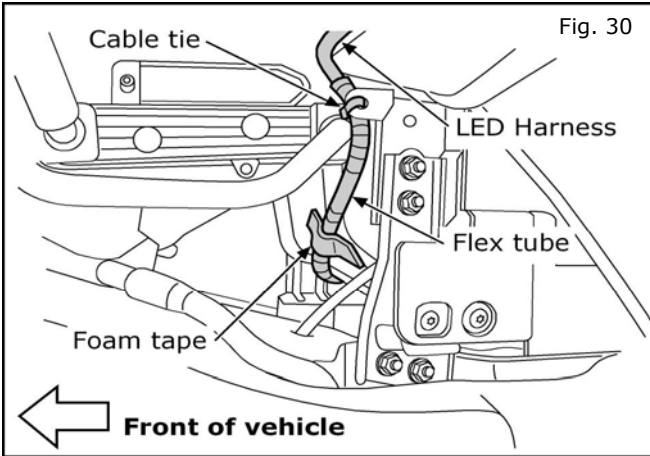
28. Mark and drill two (2)  $\frac{3}{16}$  inch holes at the locations indicated on the template. Remove the template. Clean any flashing from the hole.

# INSTALLATION INSTRUCTIONS - Accent Lighting Kit

## 13. INSTALLATION



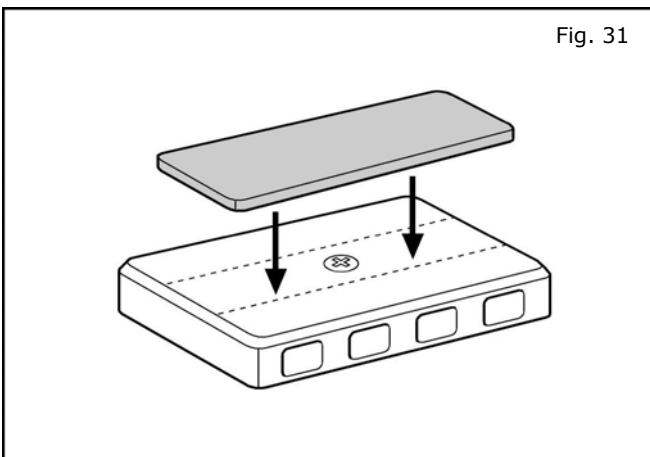
29. Place the driver side LED module on the **inside** of the panel with the LED facing **downward**. Use two (2) phillips screws from the outside of the panel to mount the driver side LED module.



30. Route driver side harness through the center stack and out towards the passenger footwell. Secure with a cable tie and foam tape as shown.

**The view shown here is looking under the dash and through the center stack.**

**Note: A section of corrugated flex tubing is included on the harness. This tubing should be positioned behind the center stack to protect the wiring from any metal edges.**



**Note: Attach one (1) 58mm x 82mm foam tape to the underside of the accessory control module, covering the screw in the center.**

31. Place one (1) piece of foam tape over the top of the accessory controller.

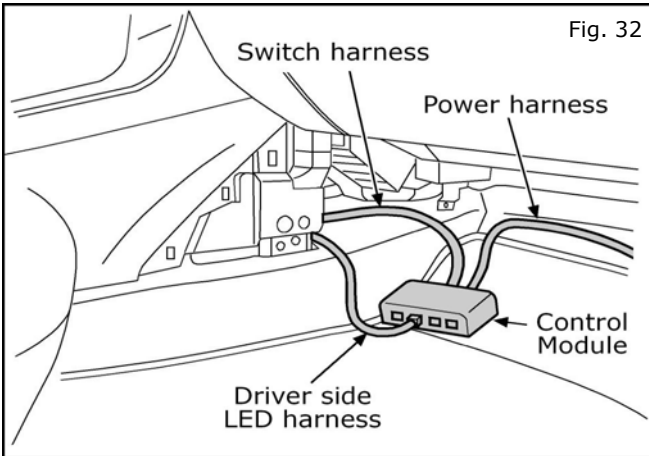
It should be on the opposite side of the sticky foam tape covering the screw.

**Note: Do NOT pull cover off tape on controller at this time.**

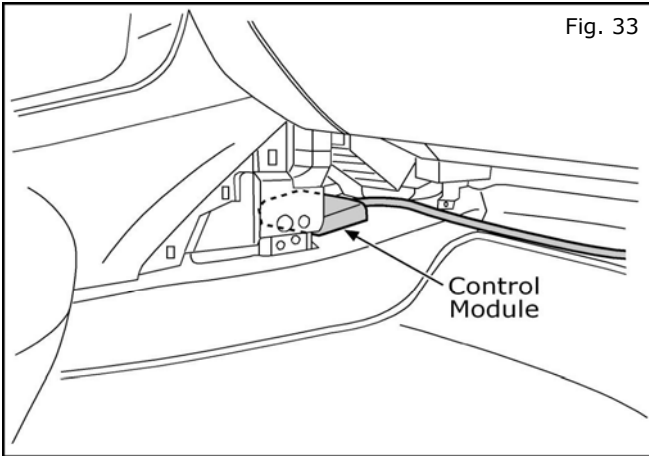


# INSTALLATION INSTRUCTIONS - Accent Lighting Kit

## 13. INSTALLATION

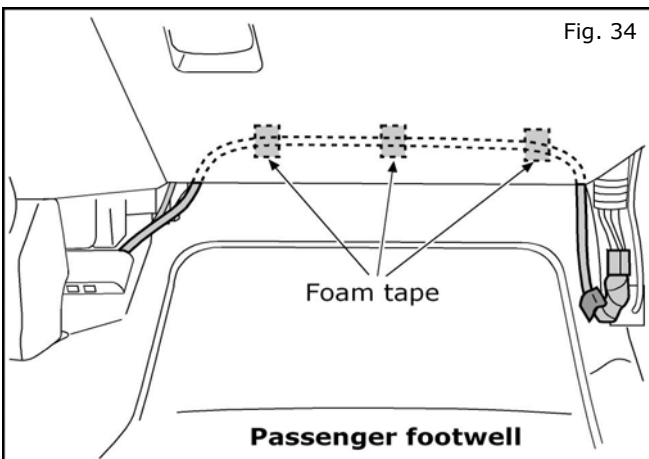


32. Route the harnesses under the center stack. Plug all harnesses into the control module.



33. Peel the cover off the tape on the controller. Securely place the controller on the carpet under the center stack.

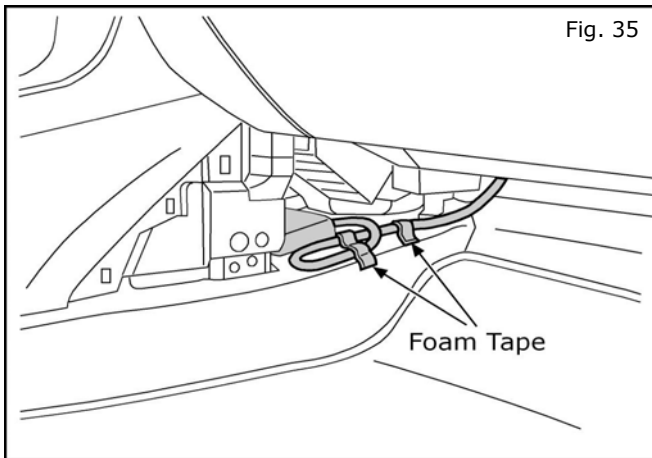
**Note: Avoid placing the control module directly under the HVAC. Condensation could cause moisture to drip on electrical connections.**



34. Route the wiring that leads to the Accessory Connector up behind the glovebox. Secure the wiring with foam tape.

## INSTALLATION INSTRUCTIONS - Accent Lighting Kit

### 13. INSTALLATION



35. **Bundle** any excess wiring and secure with foam tape under the center stack as shown.

**Secure** the wiring from the module to the underside of the vent ducting with foam tape as shown.

**Note: Be sure cables do not touch footwell panel, to prevent rattling.**

36. Reinstall the center console rear trim panel and retainer clip (see Fig. 6 and 7).

37. Reinstall the center cupholder trim panel (see Fig. 4).

38. Reinstall the driver side footwell panel (see Fig. 25).

39. Reinstall the passenger side footwell panels. (see Figs. 2 and 3).

**NOTE: Trim all cable ties. Check installation.**

## INSTALLATION INSTRUCTIONS - Accent Lighting Kit

### 14. CHECK OUT

- (1) Shut all doors on the vehicle.
- (2) Wait until all interior lamps go out.
- (3) Turn on the headlamps.
- (4) Verify that both LEDS come on.
- (5) Check the trim for a proper, flush fit after re-installing the interior components.
- (6) Clean the interior of the vehicle.
- (7) Inspect the vehicle interior and exterior for damage.
- (8) Check and clear trouble codes (DTC).
- (9) If this vehicle will be returned to a dealer lot or showroom for an extended period of time, be sure the extended storage switch is placed in the "inventory" position. (Refer to section 9 - Vehicle Preparation)
- (10) If vehicle is NOT going into storage, reset the radio presets to the recorded settings.

**Note: When diagnosing electrical system problems, first disconnect the accessory connectors and note effect on system. Continue the investigation with the accessory connectors disconnected. Remember to reconnect the accessories when the investigation is complete.**

# INSTALLATION INSTRUCTIONS - Accent Lighting Kit

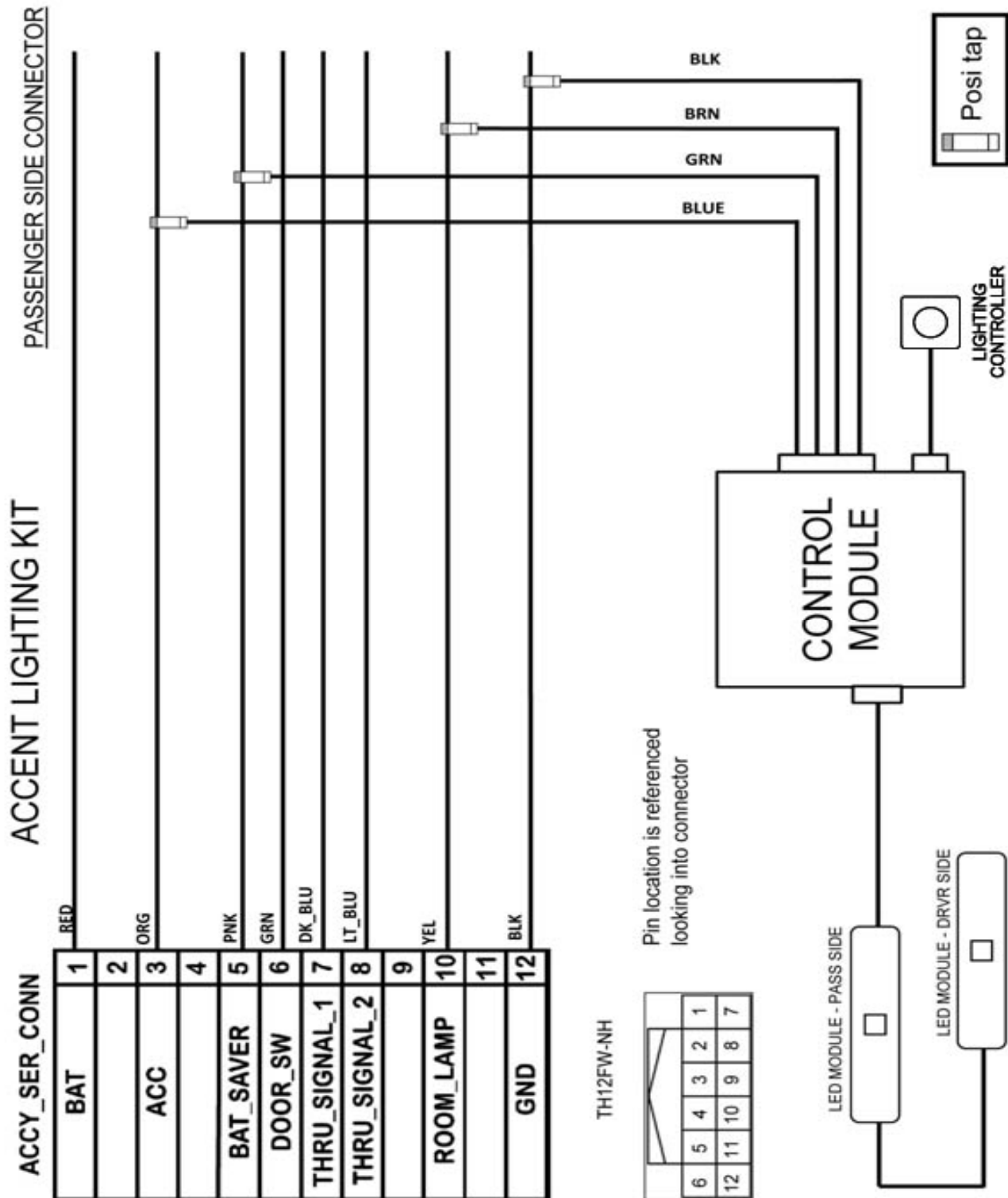
## 15. BILL OF MATERIALS

### Nissan Universal Accent Lighting Kit - 999F3 LZ100

	Parts Contained in Bag Labelled 'Installation Kit'.	Qty	Part Number
1	Control module: Single Color/Multi Intensity	1	999F3 AW004
2	Harness Vehicle interface; 4 wire 6 way connector	1	999F3 AW050
3	LED Lamp Assembly (w/Harness)	1	999F3 UZ011
4	Encoder and harness assembly	1	999F3 AW006
5	Miscellaneous Parts Kit	1	999F3 XZ100
6	Cable ties 15" long - black	7	
7	Cable ties 4" long - black	8	
8	Grey adhesive foam 80 X 30 X 5MM - 1 sided	16	
9	Posi-tap connectors part No EX130-RR	4	999M1 VT000
10	Pozi drive + flange head (1/2" dia) No 8 self tap screw 1/2" long-black	4	
11	Module adhesive pad - 2 sided	1	
12	U-Nut	4	
13	Control knob (25mm dia x 14mm height)	1	999F3 AW002
14	Encoder nut - M8 x .75 (Black)S	1	
15	Alcohol preparation wipe	4	
16	II Website Location Template	1	999V2 AW000
17	Installation Instructions (Website)	0	999F3 LZ000II
18	Quick reference guide	1	999F3 AW007
19	Accessory Connector Harness (NOT INCLUDED IN KIT)	1	999Q9 AY000

# INSTALLATION INSTRUCTIONS - Accent Lighting Kit

## 16. MECHANIZATION



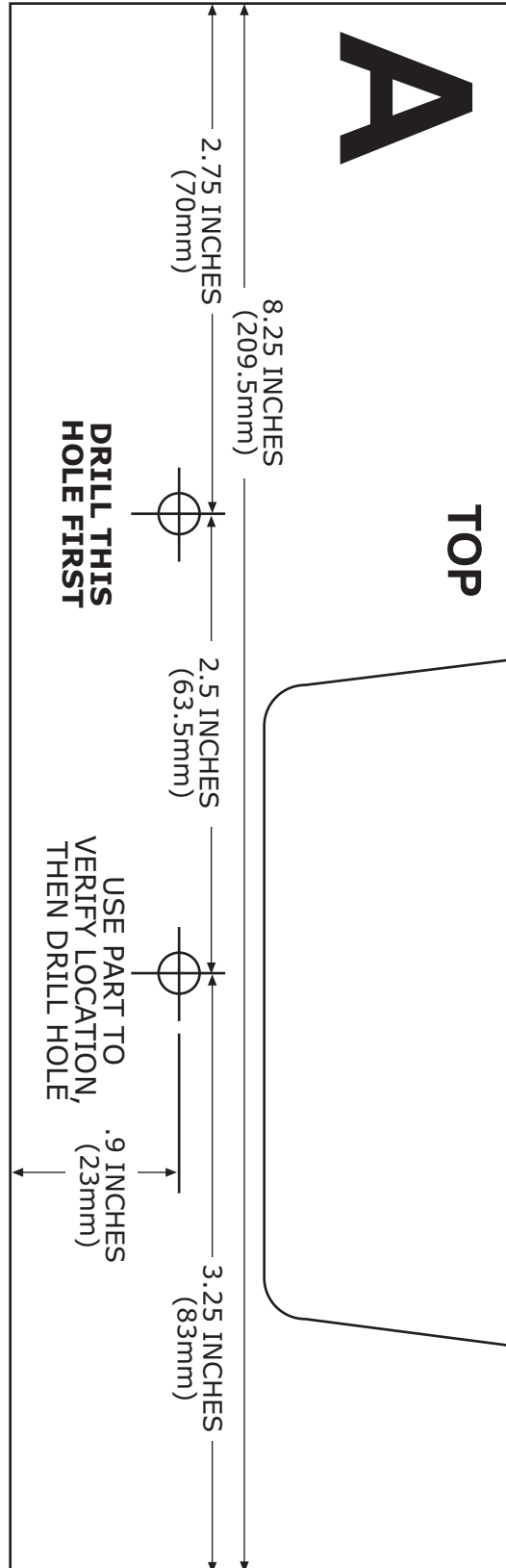
# INSTALLATION INSTRUCTIONS - Accent Lighting Kit

## 16. MECHANIZATION

(BACK BLANK PAGE)

# INSTALLATION INSTRUCTIONS - Accent Lighting Kit

## 17. TEMPLATE A



**SCALE**  
**1 inch**



**IMPORTANT: BE SURE  
PRINTER PAGE SETTING  
IS PROPERLY ADJUSTED  
SO TEMPLATE PRINTS AT  
ACTUAL SIZE.**

**VERIFY ACCURATE SIZING  
WITH A RULER BEFORE  
TRIMMING OUT TEMPLATE.**

# INSTALLATION INSTRUCTIONS - Accent Lighting Kit

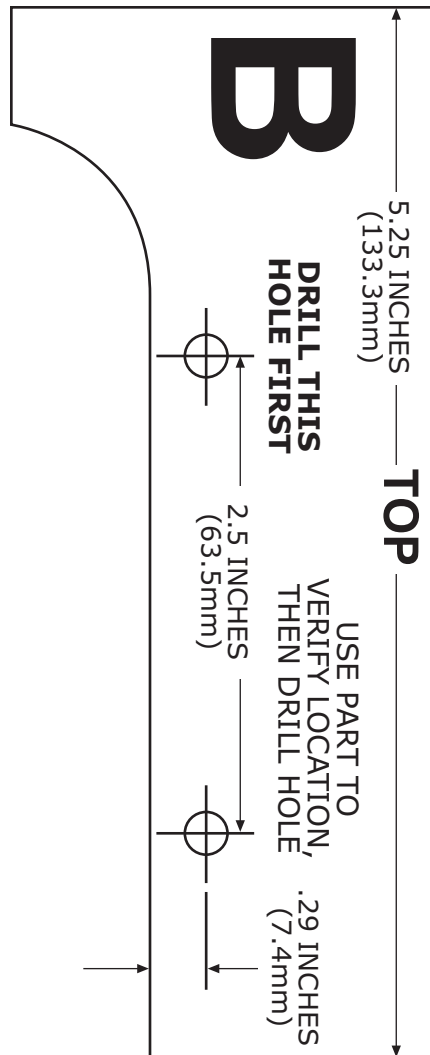
## 17. TEMPLATE A

(TEMPLATE BACK BLANK PAGE)



# INSTALLATION INSTRUCTIONS - Accent Lighting Kit

## 18. TEMPLATE A



**SCALE**  
**1 inch**



**IMPORTANT: BE SURE  
PRINTER PAGE SETTING  
IS PROPERLY ADJUSTED  
SO TEMPLATE PRINTS AT  
ACTUAL SIZE.**

**VERIFY ACCURATE SIZING  
WITH A RULER BEFORE  
TRIMMING OUT TEMPLATE.**

# INSTALLATION INSTRUCTIONS - Accent Lighting Kit

## 18. TEMPLATE B

(TEMPLATE BACK BLANK PAGE)