



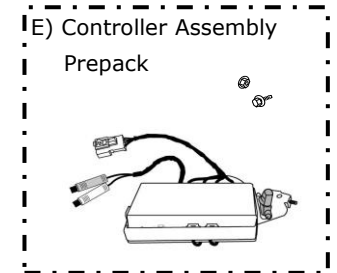
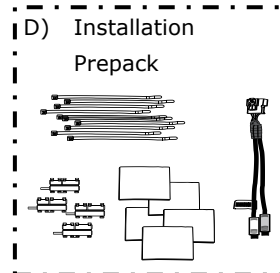
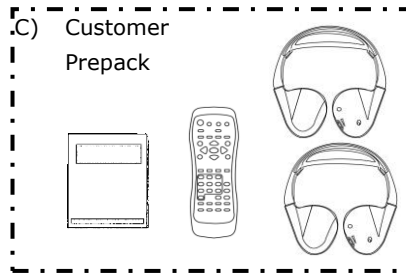
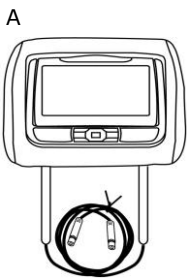
GENUINE PARTS

INSTALLATION INSTRUCTIONS

DESCRIPTION:	DUAL DVD HEADRESTRAINT MONITOR
APPLICATION:	TITAN - (Platinum Reserve Only)
PART NUMBER:	Dual DVD Headreststraint Monitor Leather, Brown (PR;1) - 999U8 W4000

KIT CONTENTS:

Item	Qty.	Part Description	Service Part Number	
A	1	DVD Headreststraint Monitor, Driver (DR)	See Service Part Number list at end of manual	
B	1	DVD Headreststraint Monitor, Assist (AS)		
C	1	Customer Prepack		
	2	• Wireless Headphones w/Batteries		
	1	• Remote Control w/Batteries		
D	3	• Quick Reference Guide		
	1	Installation Prepack		
	16	• Cable Tie		
	4	• Security Clamp		
	5	• Foam Tape Strip		
E	1	• 16-Pin Jumper Harness, Driver		
	1	Controller Assembly Prepack		
	1	• Control Module and Bracket Assembly		
	1	• M5 Flange Nut		
	1	• M6 Flange Bolt		08146-6102G



TOOLS REQUIRED:

- Socket, 8mm and 10mm
- Ratchet, 1/4" Drive
- Torque Wrench
- Plastic Removal Tool
- Diagonal Cutters
- Consult 3+, ASSIST Tool

Please call Invision Tech-line help at 866-869-7888 for any installation, repair or warranty assistance.

PRE-INSTALLATION WARNINGS, CAUTIONS, CRITICAL STEPS, and NOTES:

NOTE: This is a common installation kit so all parts may not be used.

PRE-INSTALLATION WARNINGS, CAUTIONS, CRITICAL STEPS, and NOTES: (continued)

⚠ CAUTION

- **Caution** Dealer installation ONLY.
- **Caution** Cut the excess cable tie(s) as flush with the head as possible. Face head of cable tie away from sheet metal and other objects.
- **Caution** Use caution when removing/re-installing interior components to avoid damage, scratches, or breaking of mounting clips.
- **Caution** Ensure the Owner's Manual and Quick Reference Guide are placed in the vehicle glove box.

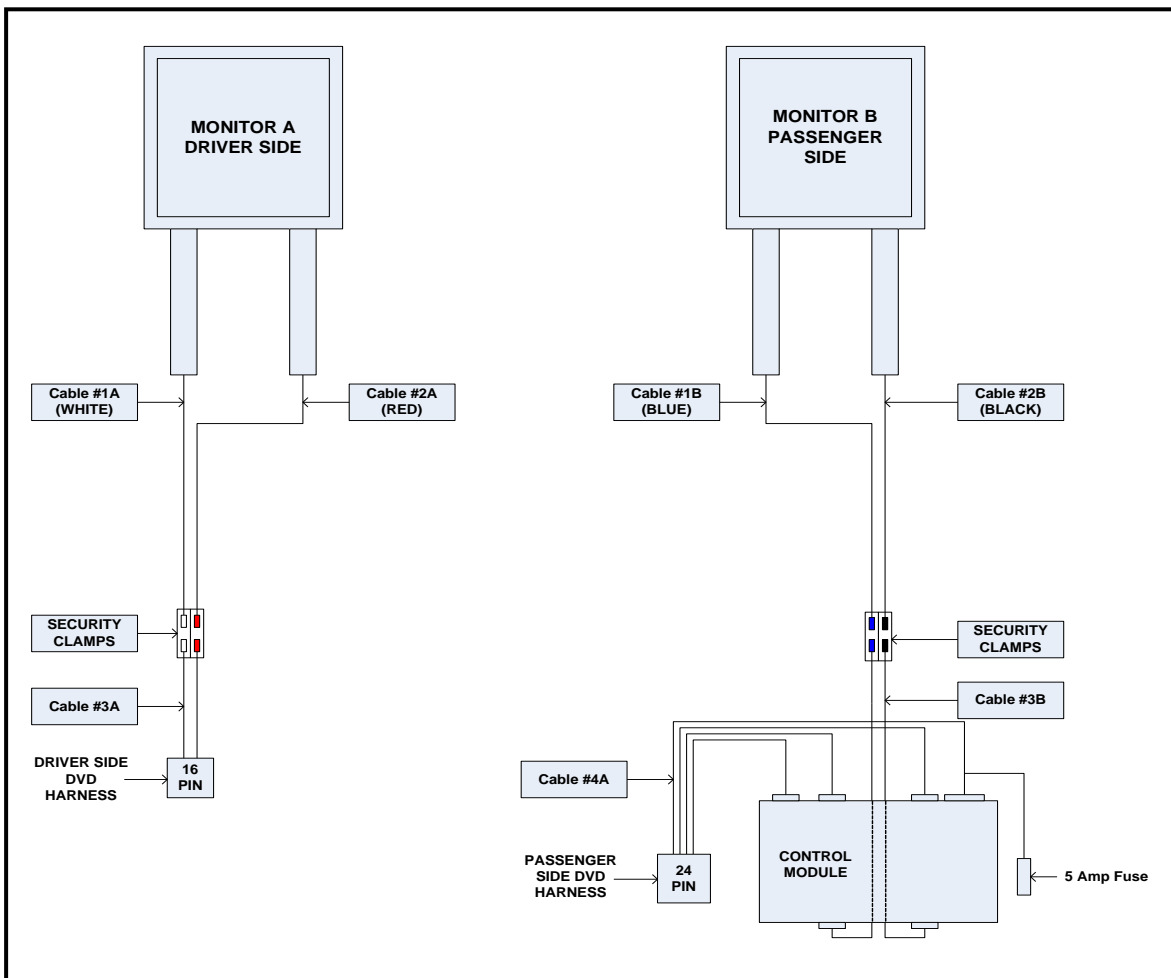
⚠ CAUTION

Critical Steps: The following steps are critical and must be performed **EXACTLY** as specified to ensure proper installation.

- Critical Step 1. All Cable and Harness routing instructions need to be followed as described to avoid interferences or system failure.
- Critical Step 2. Ensure headrestraints are set to the highest position when routing the cables to connect to the control module assembly.

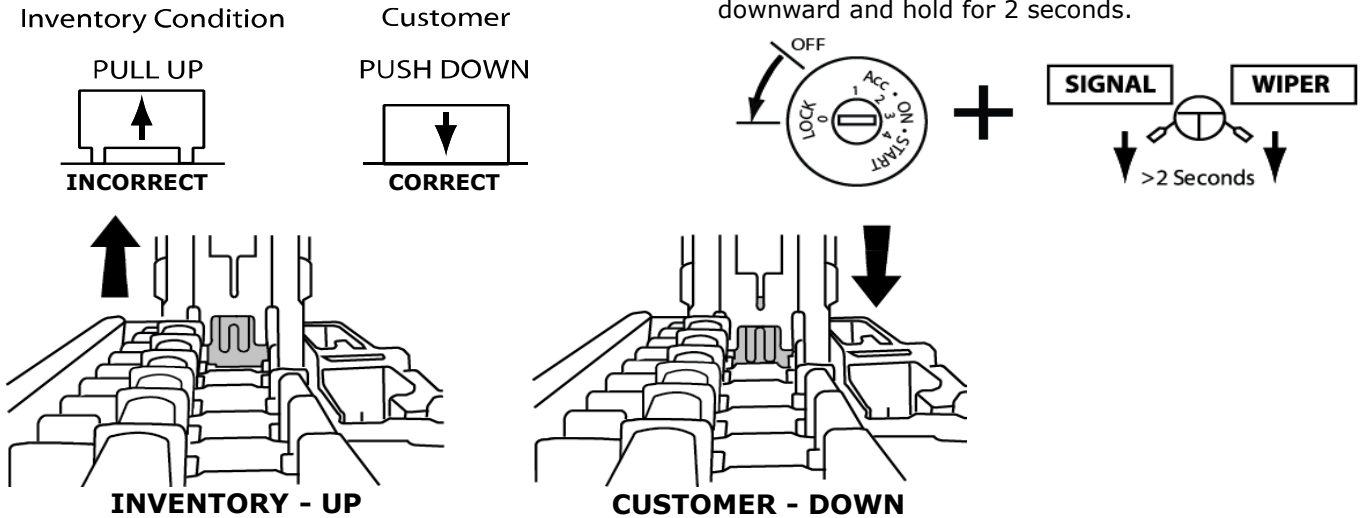
INSTALLATION OVERVIEW:

System Block Diagram



VEHICLE PREPARATION PROCEDURE:

- 1) Apply parking brake.
- 2) Confirm the vehicle is no longer in the default shipping state (Extended Storage Switch Pulled Up and BCM in Transit Mode). Failure to confirm the vehicle has been removed from this state will result in the loss of normal vehicle operation. The confirmation requires two checks:
 - 2a) Locate the Extended Storage Switch in the cabin fuse block. Once located, check that it is in the "Customer" position. See below for reference.
 - 2b) Turn the ignition switch from "OFF" to "ON" position. If turn indicators illuminate for approx. 1 minute, the vehicle is in shipping mode. To exit shipping mode, return the ignition switch to "OFF" position. Simultaneously push the wiper and turn signal stalks downward and hold for 2 seconds.



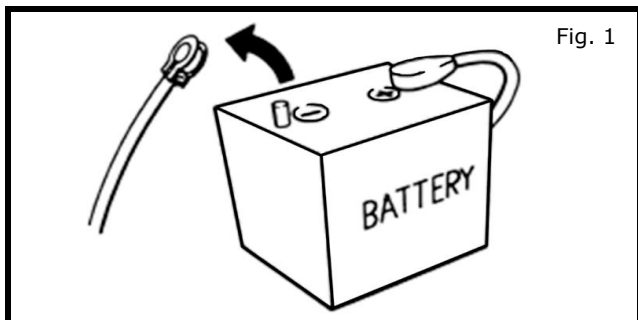
NOTE: Typical vehicle condition shown above. Switch is easily identifiable by the permanent, push-pull fuse holder. Actual position on the fuse block may vary, vehicle to vehicle.

- 3) Turn ignition switch to "ON" position.
- 4) Record the customer radio presets and other presets as required.

Preset	1	1	2	3	4	5	6	7
A								
B								
C								

- 5) Put shift lever in "P" position for A/T and CVT or "1st" for M/T.
- 6) Turn ignition switch to "OFF" position.
- 7) Open the engine hood.

INSTALLATION PROCEDURE: DRIVER SIDE-CLIMATE CONTROL SEAT

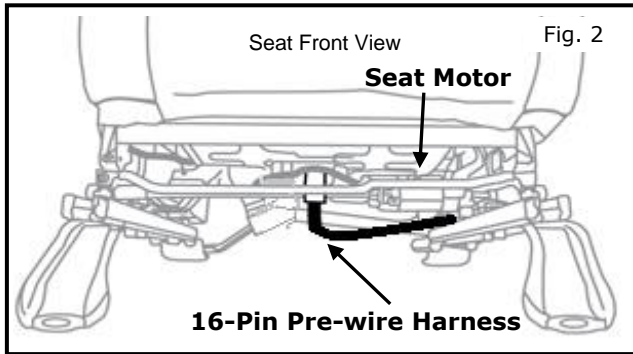


- 8) Set Driver seat to Full Up and Midway position between full forward and full rearward to allow for optimum access to front underside of seat. Disconnect negative battery terminal to prevent short circuits during installation procedure. Figure 1

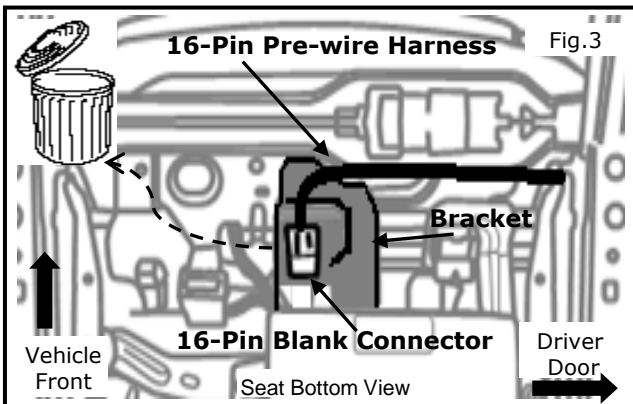
NOTE: If Vehicle is Diesel Powered both Battery negative terminals must be disconnected prior to install.

INSTALLATION PROCEDURE: DRIVER SIDE-CLIMATE CONTROL SEAT (continued)

NOTE: Use caution when removing interior components to avoid damage, scratches, or breaking of mounting clips. Refer to the vehicle specific service manual for more information.

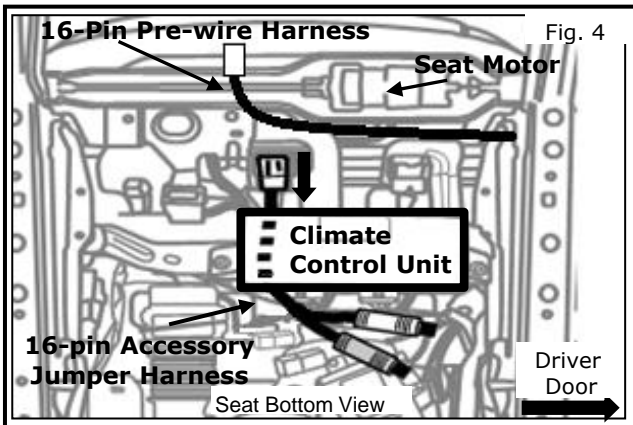


- 9) Locate 16-pin prewire harness under Driver front seat. Figure 2



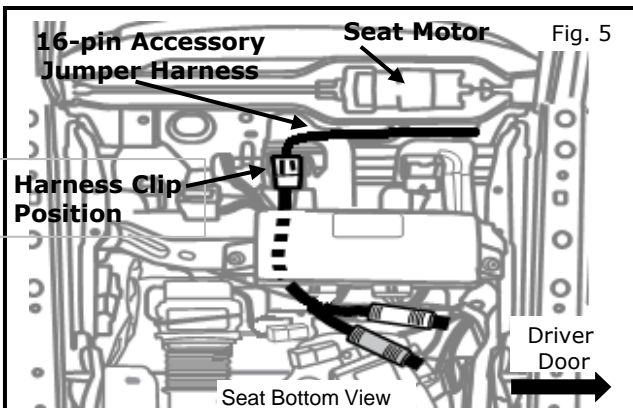
- 10) Using a plastic pry tool, disengage 16-pin prewire and 16-pin blank from seat bracket. Dispose of 16-pin blank connector. Figure 3

NOTE: The clips holding the 16-pin blank connector can be cut for removal. Blank is not reused.



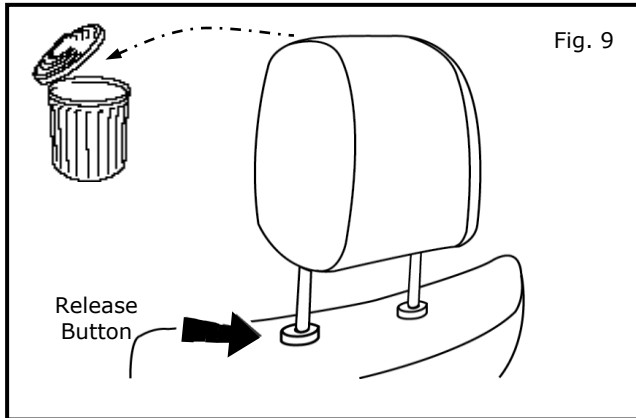
- 11) Route Accessory 16-pin jumper harness **ABOVE** attachment bracket and **ABOVE** Climate Control Unit (**HIGHLIGHTED**) toward rear of seat. Once the Accessory 16-pin jumper harness connector passes the bracket, transfer it below bracket for ease of connection to the factory prewire. Figure 4

NOTE: Jumper harness must route ABOVE Climate Control Unit to avoid damage or pinched harness during movement of seat.

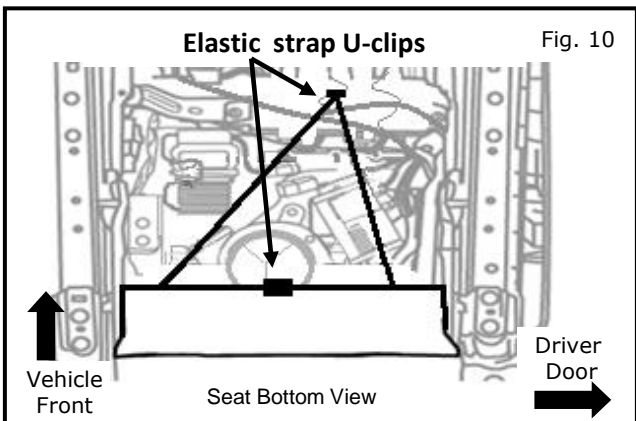


- 12) Connect Accessory 16-pin jumper harness to the Factory prewire. Figure 5
- 13) Press harness attachment clip into two holes where blank connector was previously attached. Figure 5

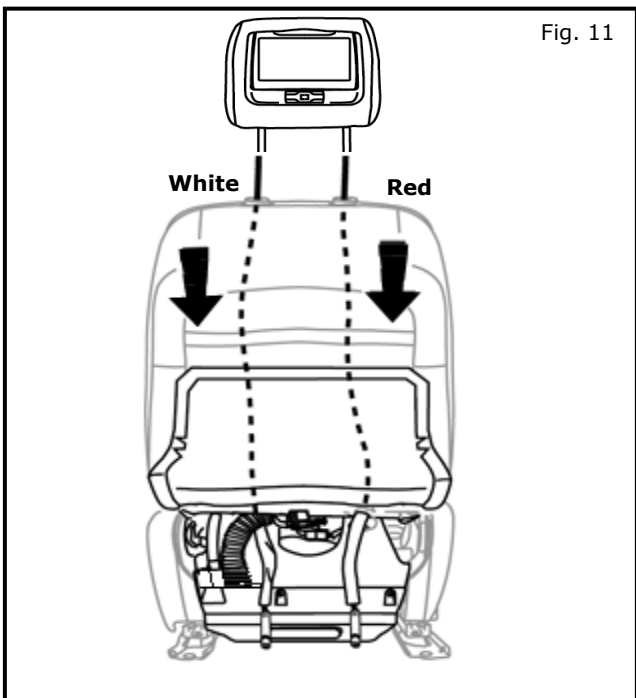
INSTALLATION PROCEDURE: DRIVER SIDE-CLIMATE CONTROL SEAT (continued)



- 14) Remove and dispose of **Driver** headrest by pressing release button on seat post guide, and pulling up on headrest. Figure 9



- 15) Detach the elastic strap U-clip holding the seat back apron to underside of Driver seat by removing it from around the seat springs. Figure 10



- 16) Insert driver DVD headrest cables (white/red) into seat post guide holes of Driver seat as shown. Continue routing cables down through seat back and out of seat bottom. Figure 11

NOTE: Verify headrest material and color.

NOTE: Use caution when inserting the DVD headrest posts to prevent damage/scratching of seat post guides and seating surface.

INSTALLATION PROCEDURE: DRIVER SIDE-CLIMATE CONTROL SEAT (continued)

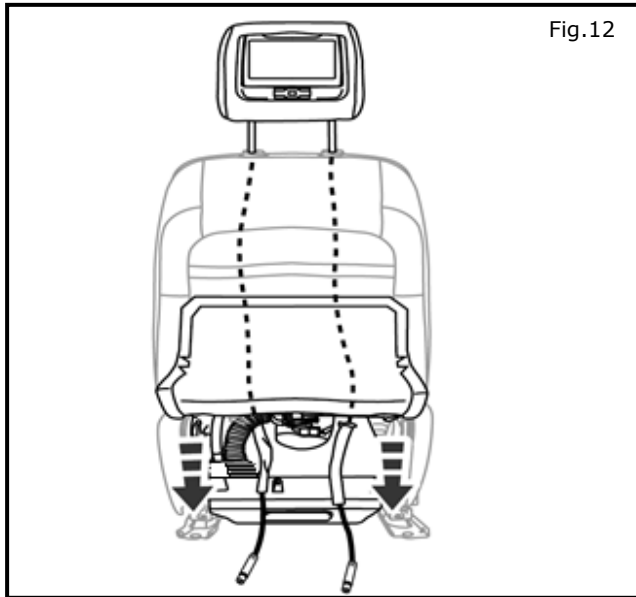


Fig.12

- 17) Insert **Driver** DVD headrest posts into seat post guides. Lock DVD headrest into its **HIGHEST** position (Bottom-Most Notch). Figure 12
- 18) Pull on two headrest cables from seat bottom to remove all slack. Figure 12

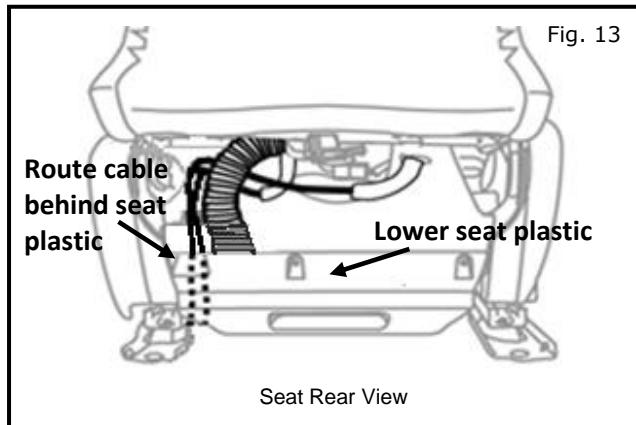


Fig. 13

- 19) Group two headrest cables to outboard side of vehicle by routing cable with red barrel connector toward cable with white barrel connector. Route cables along side of HVAC ducting and following factory cables behind hard plastic of lower seat. Figure 13

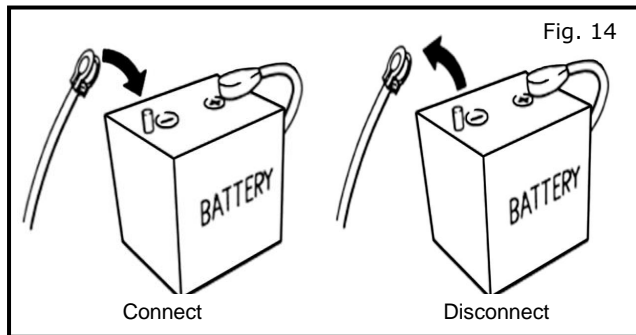


Fig. 14

- 20) Move Seat rearward to access lower seat to make headrest cable connections. Figure 14

NOTE: Connect and disconnect negative battery terminal to prevent short circuits during installation procedures and adjusting seats for proper access.

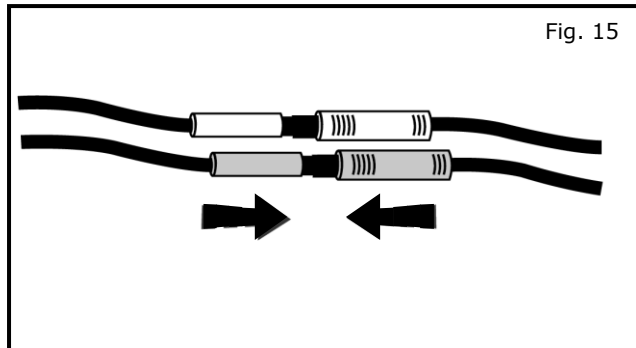
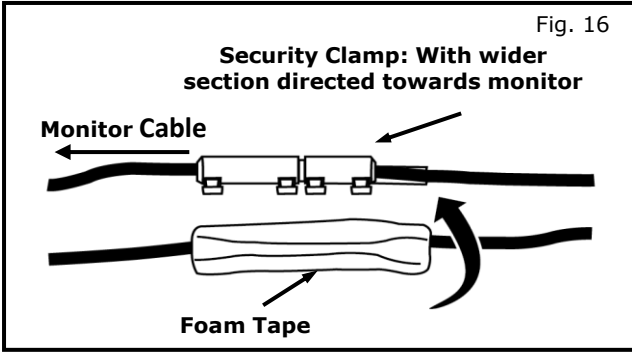


Fig. 15

- 21) Continue routing two headrest cables toward front of vehicle. Connect red and white barrel connectors to matching red and white barrel connectors of 16-pin Accessory jumper harness. Figure 15

NOTE: Perform cable connection steps, 20 through 26, as noted to install DVD Headrest correctly for proper operation.

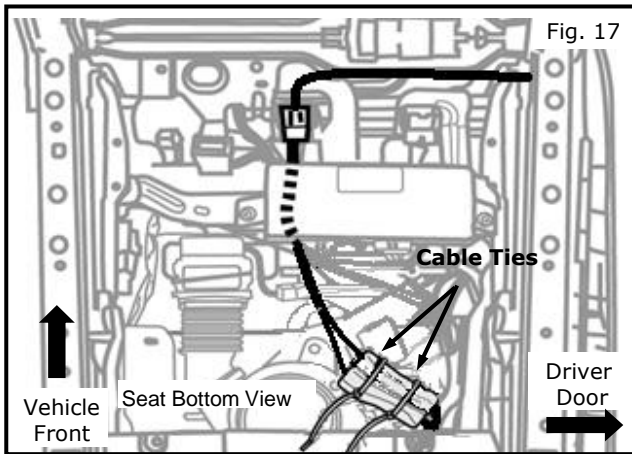
INSTALLATION PROCEDURE: DRIVER SIDE-CLIMATE CONTROL SEAT (continued)



- 22) Secure barrel connectors using two security clamps. Place red barrel connectors into one security clamp and lock closed. Place white barrel connectors into second security clamp and lock closed. Figure 16

NOTE: Proper orientation of Security Clamps are critical. The wider clamp door runs toward monitor cable.

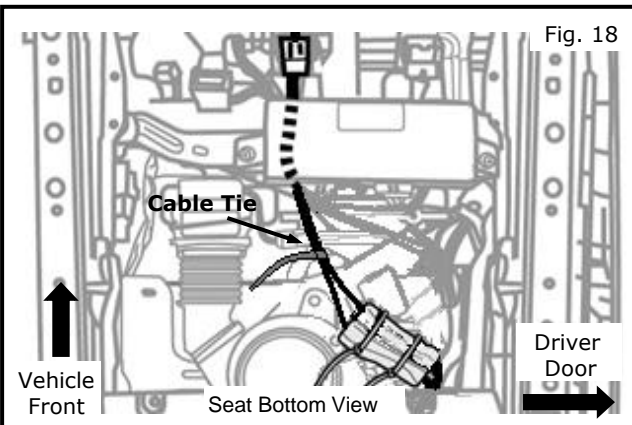
- 23) Apply one piece of foam tape over each security clamp. Figure 16



- 24) Use two cable ties to secure cable security clamps to factory harness. Figure 17

a) Group two security clamps together with factory harness.

b) Use one cable tie on each side of security clamps (about 1/2" from foam tape ends) to secure.

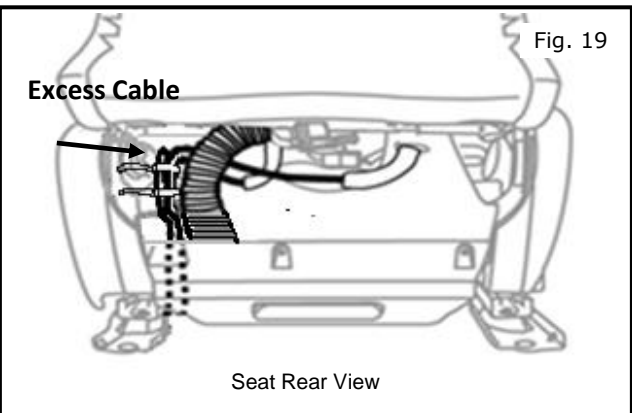


- 25) Use one cable tie to secure cables to factory harness. Figure 18

- 26) Using diagonal cutters, cut all excess wire ties.

NOTE: Do not secure harness to any SRS (Airbag) cabling. Identified by Yellow Cabling and/or Yellow Connectors.

NOTE: After trimming all cable ties, turn tie connection upward to avoid snagging on other materials .

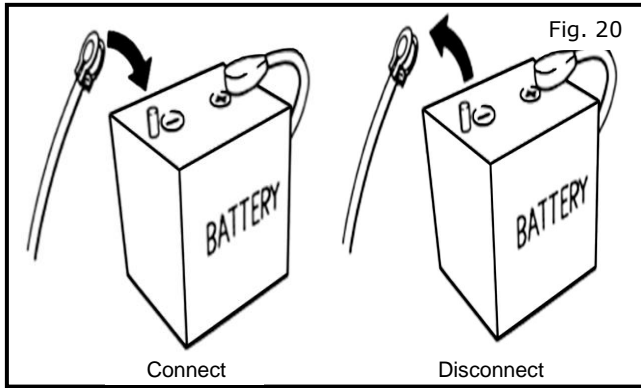


- 27) Use two cable ties to secure excess cable along back of seat to factory harness. Trim excess cable ties. Figure 19

- 28) Reattach seat apron elastic straps.

- 29) Continue to **Passenger** Side DVD Headrests.

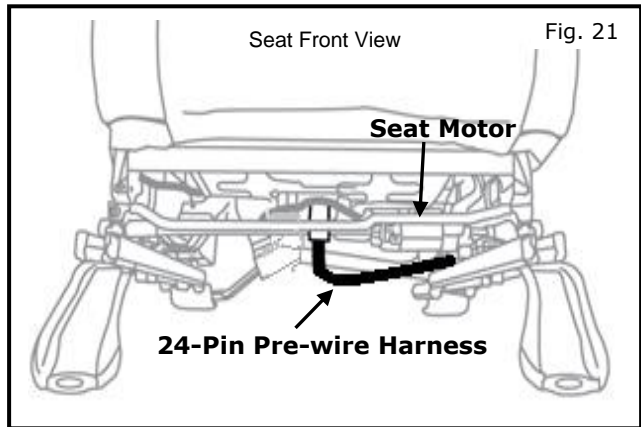
INSTALLATION PROCEDURE: PASSENGER SIDE-CLIMATE CONTROL SEAT



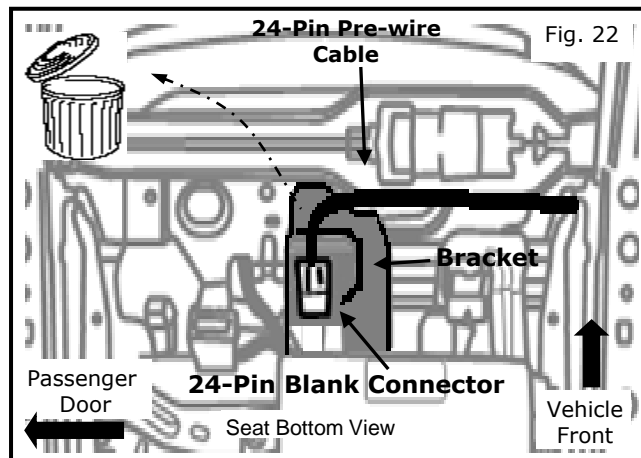
30) **Passenger Side DVD Headrest Installation**

31) Set Passenger seat to Full Up and Center position to allow access to front underside of seat. Adjust for best access. Figure 20

NOTE: Connect and disconnect negative battery terminal to prevent short circuits during installation procedures and adjusting seats for proper access.



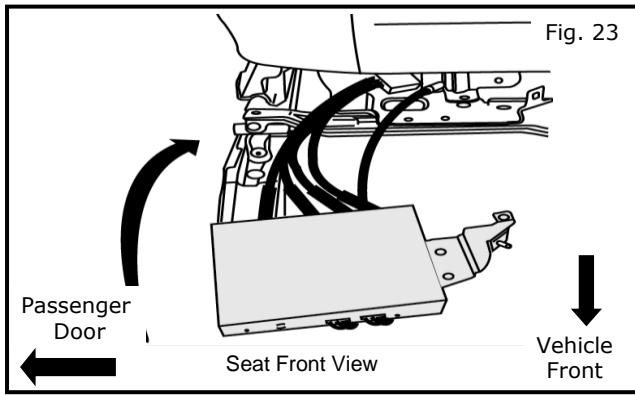
32) Locate 24-pin prewire harness under Passenger front seat. Figure 21



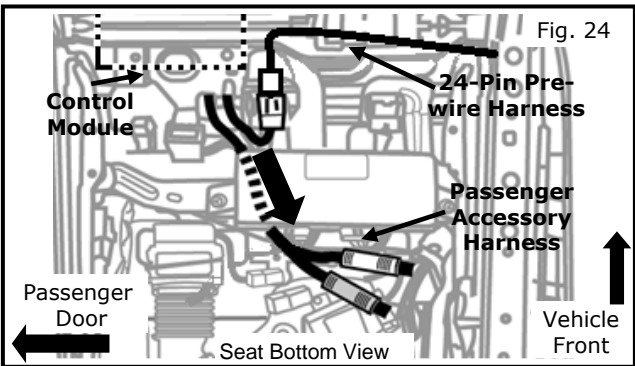
33) Using a plastic pry tool, disengage 24-pin prewire and 24-pin blank from seat bracket. Dispose of 24-pin blank connector. Figure 22

NOTE: The clips holding the 24-pin blank connector can be cut for removal. Blank is not reused.

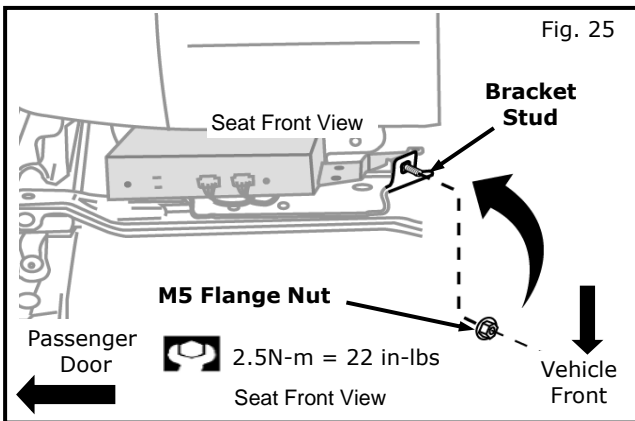
INSTALLATION PROCEDURE: PASSENGER SIDE-CLIMATE CONTROL SEAT (continued)



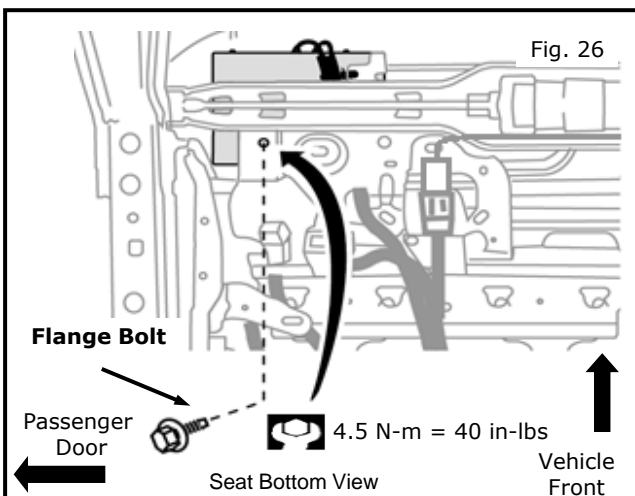
- 34) Set **Passenger** power seat to Full Up and Forward/ Centered Positions to allow access to front underside of seat.
- 35) Place control module / bracket assembly into location shown. Routing cables through bracket mounting area allowing for proper clearance **ABOVE** brackets and **ABOVE** Climate Control Module. Figure 23



- 36) While the control module is still loose connect the Factory Pre-wire to the 24-pin jumper harness. Figure 24
- 37) Continue routing two headrest cables of the Passenger Accessory harness **ABOVE** the climate control unit and toward rear of vehicle and secure with one cable tie. Figure 24

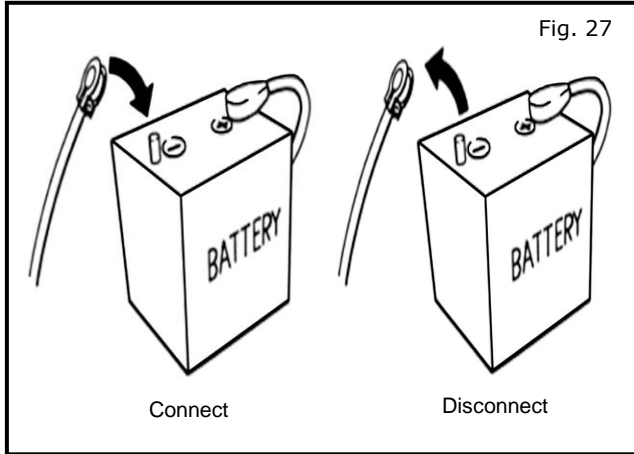


- 38) Once cables are routed install control module / bracket assembly by hand tightening one M5 flange nut onto bracket stud. Figure 25



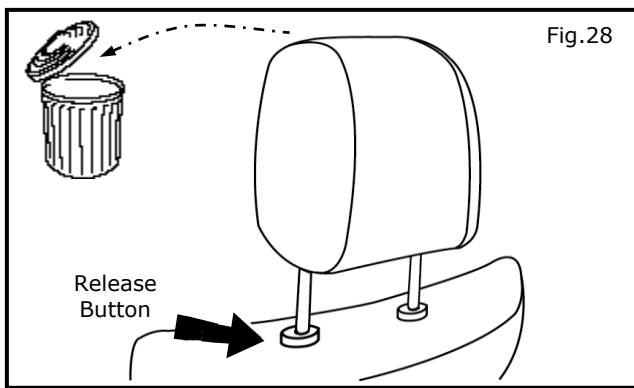
- 39) Install one M6 flange bolt into location shown. Figure 26
- 40) Using a ratchet, tighten flange nut and flange bolt.
 - a) 8mm socket for flange nut (2.5N-m = 22 in-lbs). Figure 25
 - b) 10mm socket for flange bolt (4.5 N-m = 40 in-lbs). Figure 26

INSTALLATION PROCEDURE: PASSENGER SIDE-CLIMATE CONTROL SEAT (continued)

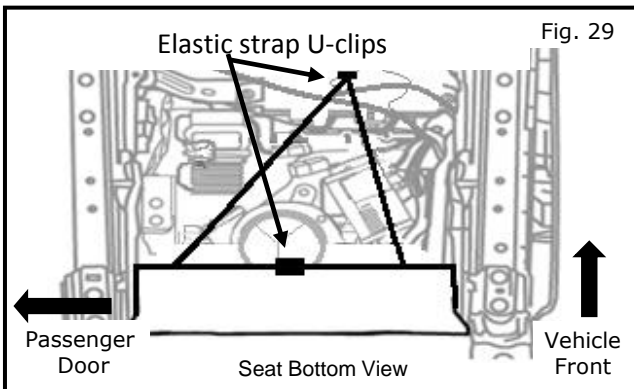


- 41) Set Passenger seat to Full Up and Rear position to allow access to rear underside of seat. Adjust for best access. Figure 27

NOTE: Connect and disconnect negative battery terminal to prevent short circuits during installation procedures and adjusting seats for proper access.

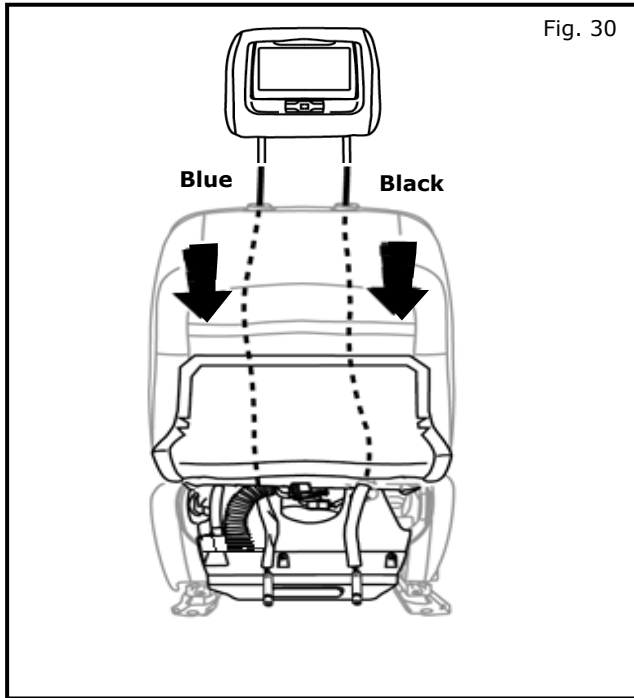


- 42) Remove and dispose of Passenger headrest by pressing the release button on seat post guide, and pulling up on the headrest. Figure 28



- 43) Detach the elastic strap U-clip holding the seat back apron to underside of **Passenger** seat by removing it from around the seat springs. Figure 29

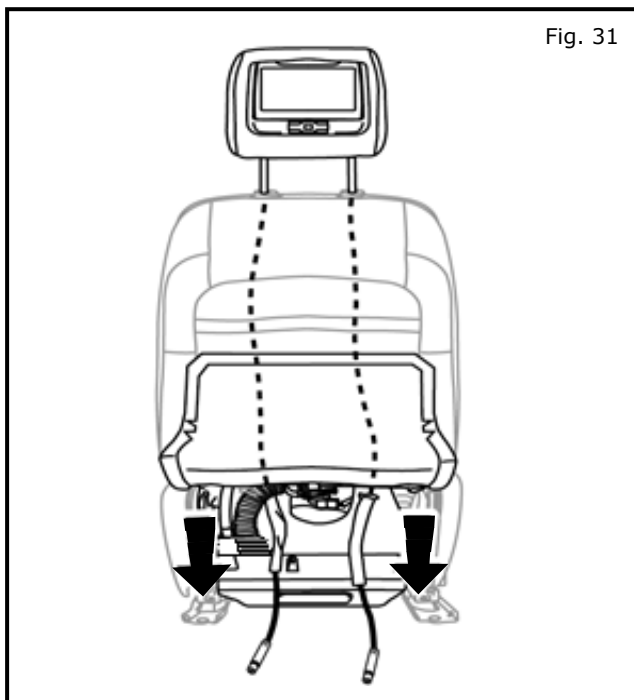
INSTALLATION PROCEDURE: PASSENGER SIDE-CLIMATE CONTROL SEAT (continued)



NOTE: Use caution when inserting the DVD headrest posts to prevent damage/scratching of seat post guides and seating surface.

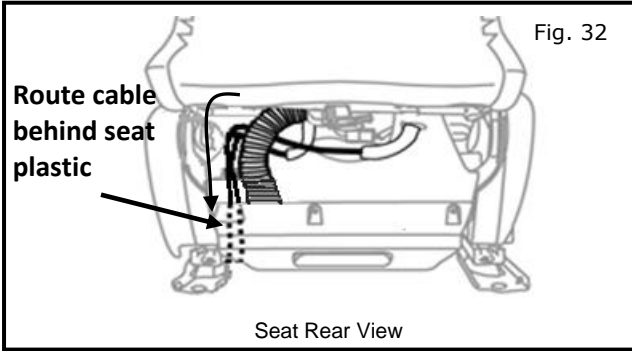
- 44) Insert passenger DVD headrest cables (blue / black) into seat post guide holes of **Passenger** seat as shown. Continue routing cable down through seat back and out through bottom of seat. Figure 30

NOTE: When installing passenger DVD headrest cables, it is important that DVD screen is positioned correctly. DVD screen must face rearward.



- 45) Insert **Passenger** DVD headrest posts into seat post guides. Lock DVD headrest into its highest position (Bottom-Most Notch). Figure 31
- 46) Pull on two headrest cables from seat bottom to remove all slack. Figure 31

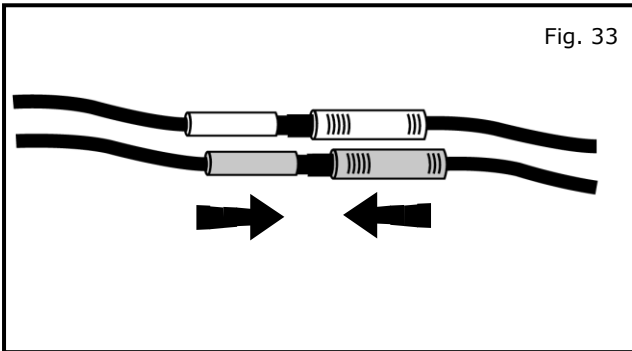
INSTALLATION PROCEDURE: PASSENGER SIDE-CLIMATE CONTROL SEAT (continued)



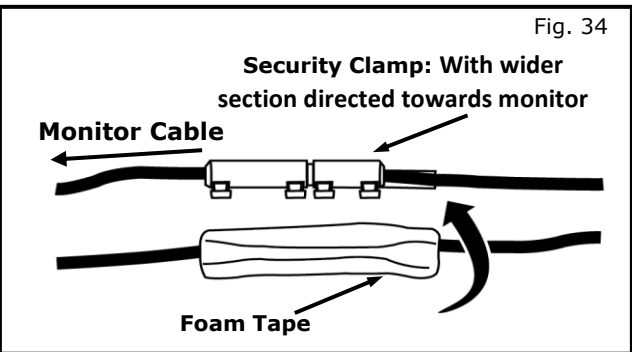
47) Group two headrest cables to inboard side of vehicle by routing cable with black barrel connector toward cable with blue barrel connector. Continue to route both cables behind hard plastic to underside of seat. Figure 32

NOTE: Perform cable connection steps, 48 through 52, as noted to install DVD Headrest correctly for proper operation.

NOTE: Move Seat rearward to access lower seat to make headrest cable connections.



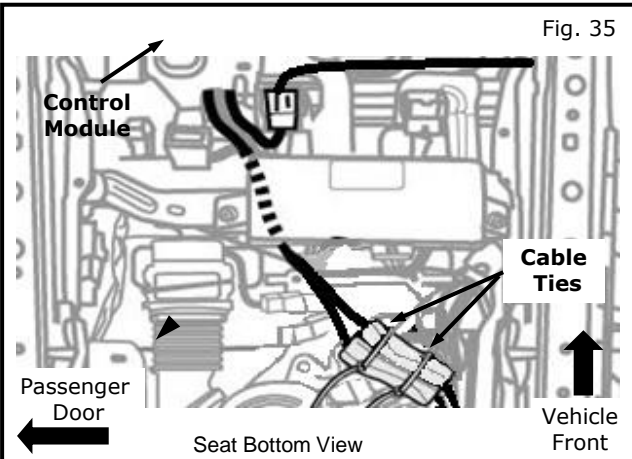
48) Continue routing two headrest cables toward front of vehicle under the seat bottom. Connect black and blue barrel connectors to matching black and blue barrel connectors of DVD harness. Figure 33



49) Secure barrel connectors using two security clamps. Place black barrel connectors into one security clamp and lock closed. Place blue barrel connectors into second security clamp and lock closed. Figure 34

NOTE: Proper orientation of Security Clamps are critical. The wider clamp door runs toward monitor cable.

50) Apply one piece of foam tape over each security clamp. Figure 34

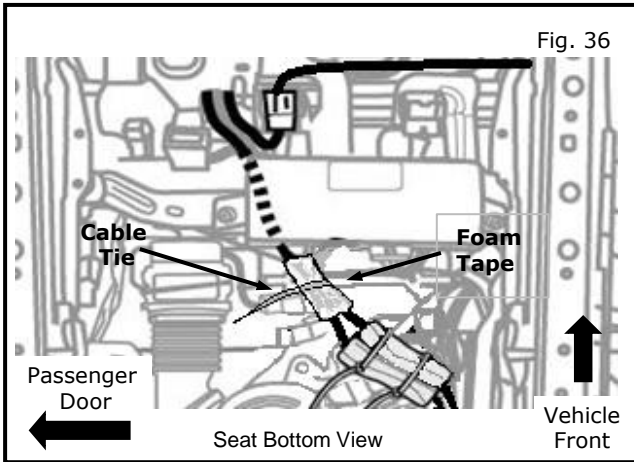


51) Use two cable ties to secure cable security clamps to factory harness. Figure 35

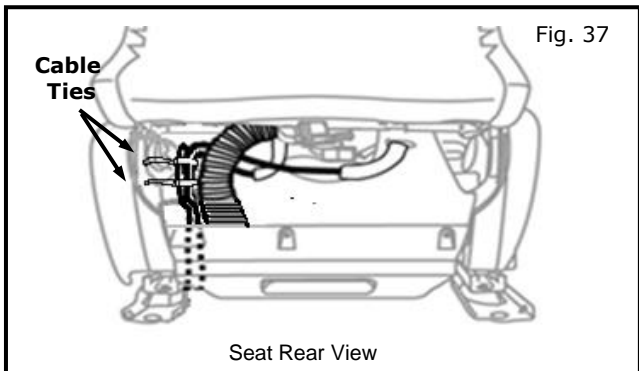
a) Group two security clamps together with factory harness.

b) Use one cable tie on each side of security clamps (about 1/2" from foam tape ends) to secure.

INSTALLATION PROCEDURE: PASSENGER SIDE-CLIMATE CONTROL SEAT (continued)



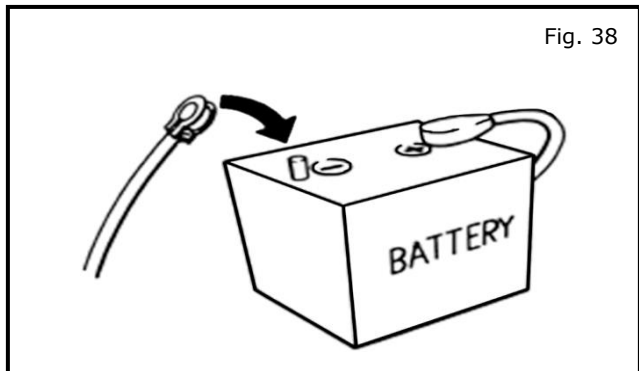
- 52) Wrap headrest cables approximately 1" from security clamps to prevent rattle against woofer box. Use one cable tie to secure cables to factory harness. Figure 36



- 53) Use two cable ties to secure excess cable along back of seat to factory harness. Figure 37

- 54) Using diagonal cutters, cut all excess wire ties.

- 55) Reattach seat apron elastic straps.



- 56) Reconnect negative battery terminal to complete the Dual DVD Headrest System. Figure 38

NOTE: Connect the Battery negative terminal and tighten the nut to 5.4 N.m

ACCESSORY CHECK:

- Connect the battery negative terminal and tighten the nut to 5.4 N-m (47.8 lb-in).
- Check all **Critical Installation Steps**.
- Check all **torque** values.
 - 20.5) Using a ratchet, tighten flange nut and flange bolt.
 - a) 8mm socket for flange nut (2.5N-m = 22 in-lbs). Figure 27
 - b) 10mm socket for flange bolt (4.5N-m = 40 in-lbs). Figure 28
 - 21.5) Using a ratchet, tighten flange nut and flange bolt.
 - a) 8mm socket for flange nut (2.5N-m = 22 in-lbs). Figure 40
 - b) 10mm socket for flange bolt (4.5N-m = 40 in-lbs). Figure 41
- Verify all wiring is secure and not exposed.
- Trim all excess cable ties flush.
- Turn ignition switch to "**ACC**" position.
- Confirm accessory main features and functions. Diagnostic flow chart is available on page 24 for troubleshooting.

Press power button on each DVD Headrest Monitor to verify backlighting illuminates and displays NISSAN Logo.

Insert a DVD into each DVD Headrest Monitor to verify DVD players accept discs.

NOTE: Supplied is a dual function Remote Control used to control each DVD Headrest Monitor independently. Press "DVD-A" button to use remote control to operate Driver Side DVD Headrest Monitor. Press "DVD-B" button to use remote control to operate Passenger Side DVD Headrest Monitor.

Press Play button on remote control to verify DVD video is displayed on LCD monitors.

Press Power button and AUX button on radio to verify audio from **Driver** Side DVD Monitor can be heard through vehicle speakers.

NOTE: Supplied Wireless Headphones are equipped with a A-B switch to select audio from either Driver Side DVD Headrest Monitor (CH A) or Passenger Side DVD Headrest Monitor (CH B). When sitting in-front of Driver Side DVD Headrest Monitor, use CH A switch setting. When sitting in front of Passenger Side DVD Headrest Monitor, use CH B switch setting.

Press and release Power button on wireless headphones to verify audio from DVD can be heard through headphones.

Press STOP button on remote control to verify DVD disc stops playing.

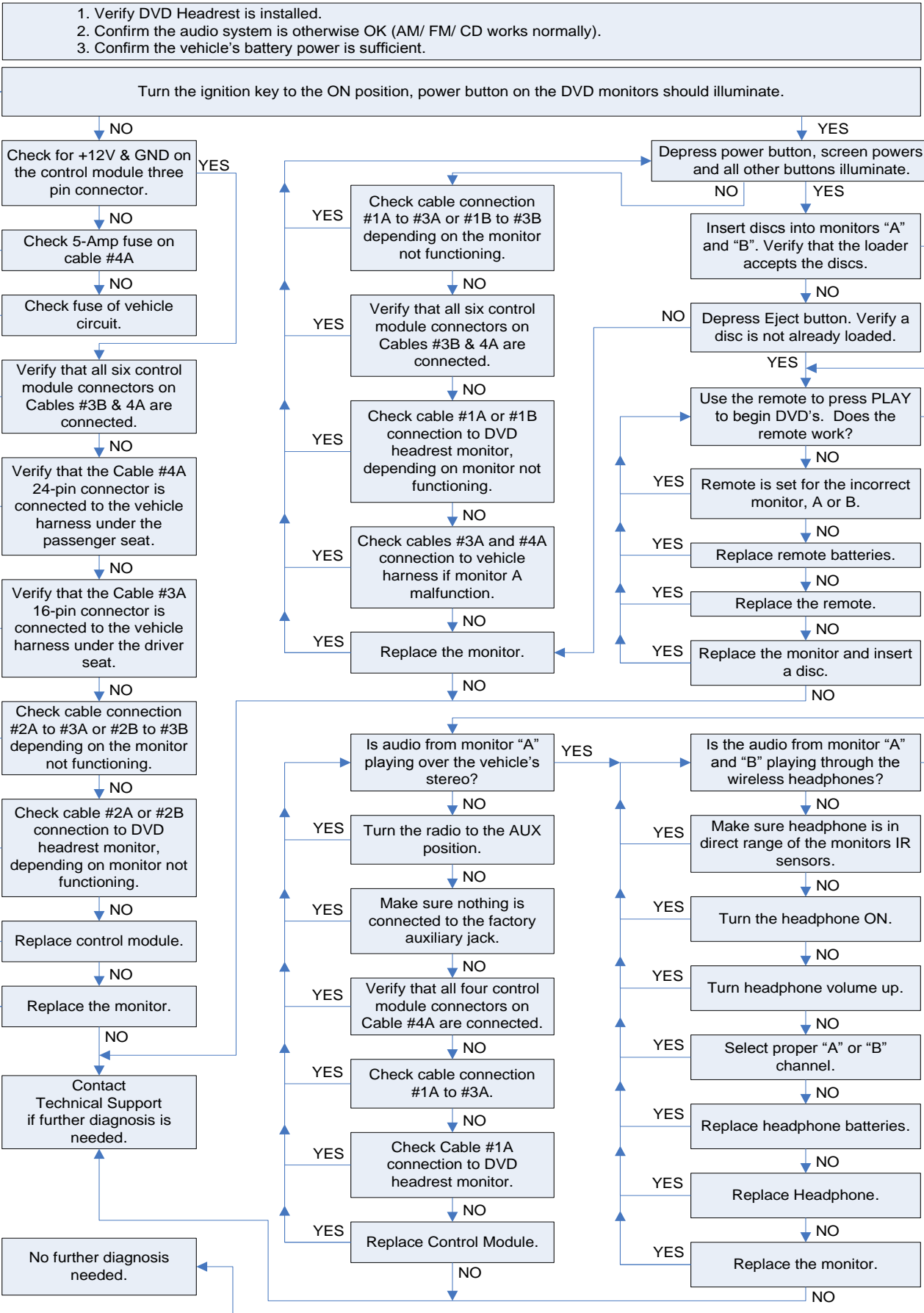
ACCESSORY CHECK: (continued)

- Press EJECT button on each DVD player to verify DVD Headrest monitors eject discs properly.
- Check all vehicle electrical systems that accessory interfaces with.
 - Vehicle electrical system 1
 - Vehicle electrical system 2

FINAL INSPECTION:

- Verify vehicle headliner, seat, steering wheel, center console, floor carpets, etc. are not soiled.
- Verify interior and exterior is not damaged.
- Turn ignition switch to "ON" and confirm proper operation of Vehicle Systems.
 - If equipped, verify all window and sunroof one touch operation and perform the reset procedure if necessary. Refer to vehicle service manual for more details.
 - Confirm proper audio function (AM, FM, SAT, CD and AUX).
- Re-program radio presets and other vehicle settings to the recorded settings.
- Start engine and verify that there are no new Diagnostic Trouble Codes. Turn ignition switch to "OFF".
- Place Owner's Manual and Quick Reference Guide in glove box.
- Place Wireless Headphones and Remote Control in vehicle.
- Return vehicle to shipping state.
- If this vehicle will be returned to a dealer lot or showroom for an extended period of time, be sure extended storage switch is placed in the "inventory" position.
- Perform ODS Zero Reset procedure using Consult 3+.

DIAGNOSTIC FLOW CHART:





GENUINE PARTS SERVICE PARTS LIST

APPLICATION: TITAN DUAL DVD HEADRESTRAINT MONITOR

PART NUMBER(S): Dual DVD Headrestrest Monitor Leather, (PR;1) Brown - 999U8 W4000

No.	Part Name	Description	Service Part Number
1	DVD HDRST MNTR DR	DVD HDRST MNTR DR Leather (PR;1)	999U8 W4010-01
2	DVD HDRST MNTR AS	DVD HDRST MNTR AS Leather (PR;1)	999U8 W4010-02
3	DVD HDRST DR	DVD HDRST SHELL DR Leather (PR)	999U8 W4011-01
4	DVD HDRST AS	DVD HDRST SHELL AS Leather (PR)	999U8 W4011-02
5	DVD MNTR DR NISSAN (1)	DVD Monitor, DR, NISSAN (1)	999U8 X2330
6	DVD MNTR AS NISSAN (1)	DVD Monitor, AS, NISSAN (1)	999U8 X2331
7	CTL ASSY PREPACK	Controller Assembly and Hardware	999U8 R2040
8	DVD CTRL & BRK ASSY	Control Module, Bracket and Harness	999U8 R2043
9	CUSTOMER PREPACK NISSAN (1&2)	Wireless Headphones (2), Remote Control and Quick Reference Guide	999U8 W4175
10	WIRELESS HEADPHONE IR	Wireless Headphone w/Batteries, Infrared (universal)	999U8 VZ042
11	REMOTE CTL IR	Remote Control w/Batteries, Infrared (universal)	999U8 VZ044
12	QUICK REFERENCE GUIDE NISSAN (1&2)	NISSAN Quick Reference Guide (English/French/Spanish)	999U8 XZ081
13	INSTALL PREPACK	Cable Ties, Security Clamps, Foam Tape Strips and 16-Pin Jumper Harness, Driver	999U8 RZ270

NOTE: The images below depict the appearance of the parts listed above and are not exact representations of each part.

