



GENUINE PARTS

INSTALLATION INSTRUCTIONS

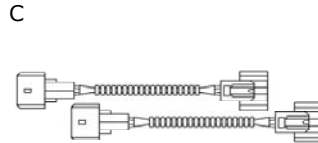
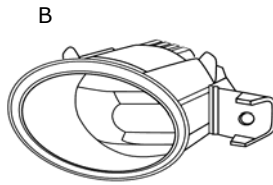
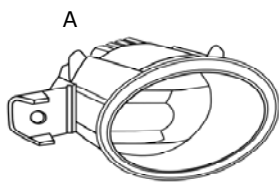
1 DESCRIPTION: LED Fog Lamp Upgrade

2 APPLICATION: Altima

3 PART NUMBER(S) 999F1 V4000
REQUIRED FOR
INSTALLATION:

4 KIT CONTENTS:

Item	Qty.	Part Description	Part Number
A	1	RH LED Fog Lamp Assembly	999F1 26150
B	1	LH LED Fog Lamp Assembly	999F1 26155
C	2	Fog Lamp Sub Harness	B61E1 3JY4A
D	4	Cable Ties	TBD
E	1	II Replacement Template	999V2 AW000
F	N/A	Installation Instructions	999K1 V400AII



5 TOOLS REQUIRED:

- 1/4" Ratchet
- Short 10 mm 1/4" socket
- 1/4" 50mm Extension
- Nylon Trim Tool

6 PRE-INSTALLATION CAUTION/NOTES:

CAUTION

- Dealer Installation Highly Recommended (Instructions may refer to Service Manual).
- Dealer Installation Highly Recommended (Instructions call for use a hoist).
- Please read these instructions carefully before beginning to ensure correct installation.
- Please DO NOT use or install the part in ways other than what is described herein.

7 CRITICAL STEPS:

The following steps are critical and must be performed as specified to ensure proper installation:

- Placement of the fog lights is fixed, lamps can only be installed in the described location.
- Apply masking tape as needed to protect any areas that could be scratched or damaged by tools.
- Test the functionality of the kit before final clean up and reinstallation of exterior and interior panels.

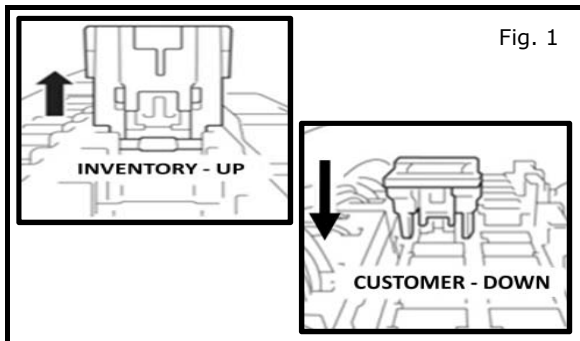
INSTALLATION INSTRUCTIONS

8 Vehicle Preparation:

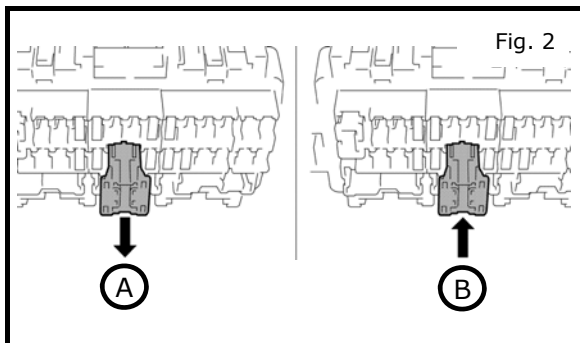
⚠ CAUTION

• Always confirm the ignition is in the "OFF" position before changing the E.S.S. position.

- 1) Apply parking brake
- 2) Confirm vehicle is no longer in default shipping state (Extended Storage Switch Pulled Up and BCM in Transit Mode). Failure to confirm vehicle has been removed from this state will result in loss of normal vehicle operation. Confirmation requires two checks:



- 3) Locating Extended Storage Switch.
 - a) Locate Extended Storage Switch in cabin fuse block.
 - b) Check Extended Storage Switch is in "Customer" position as shown in Fig. 1.



- 4) Engage and remove from transit mode
 - a) To engage transit mode, pull out in **A** direction as shown in the figure.
 - b) To remove from transit mode, press in **B** direction as shown in the figure.

Condition	Switch Position	Note
Vehicle is delivered to the dealer	Inventory Condition	
Technician performs PDI	Customer Delivery	Return to Inventory position after PDI.
Customer test drives the vehicle	Customer Delivery	Return to Inventory position after test drive.
Vehicle is being stored at the dealer	Inventory Condition	
Vehicle is delivered to customer	Customer Delivery	

- 5) Turn ignition switch to "ON" position
- 6) Record the customer radio presets and other presets as required.

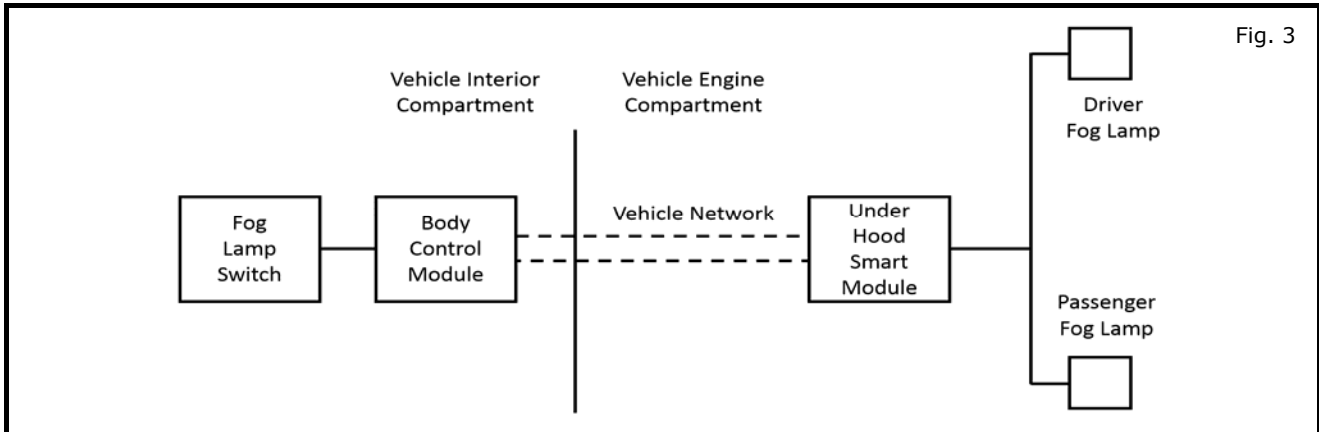
Preset	1	2	3	4	5	6		

- 7) Put shift lever in "P" position for A/T and CVT or "1st" for M/T
- 8) Turn ignition switch to "OFF" position
- 9) Use seat and floor protection.

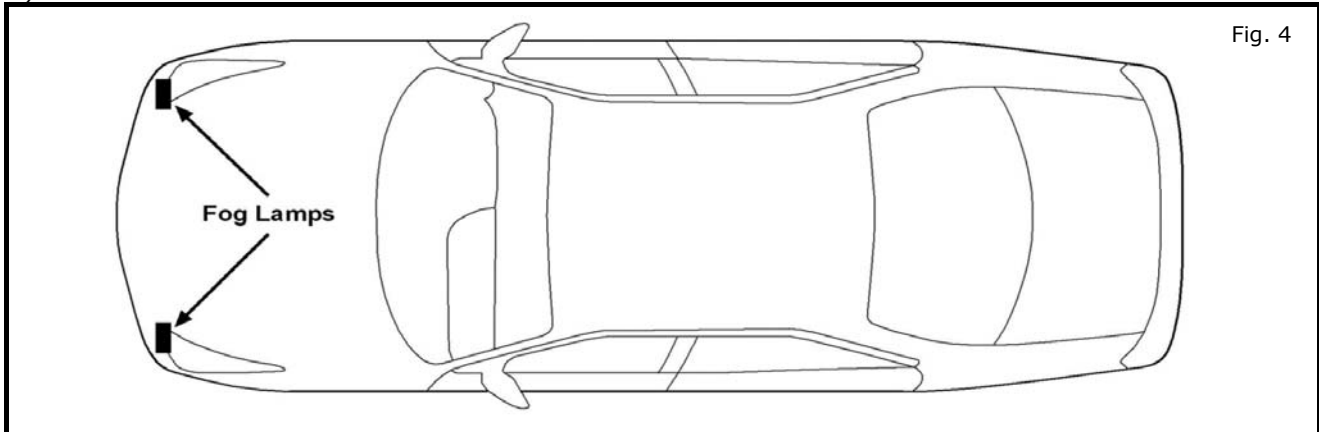
INSTALLATION INSTRUCTIONS

9. INSTALLATION OVERVIEW:

1.) SYSTEM



2.) VEHICLE



CAUTION

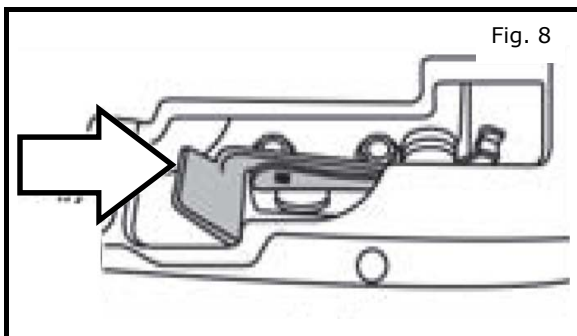
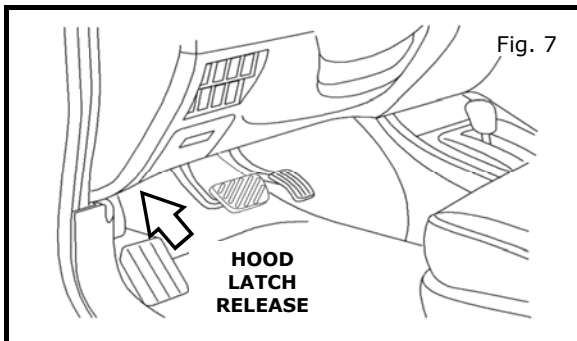
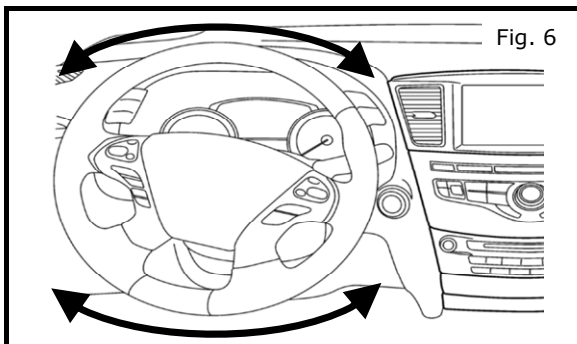
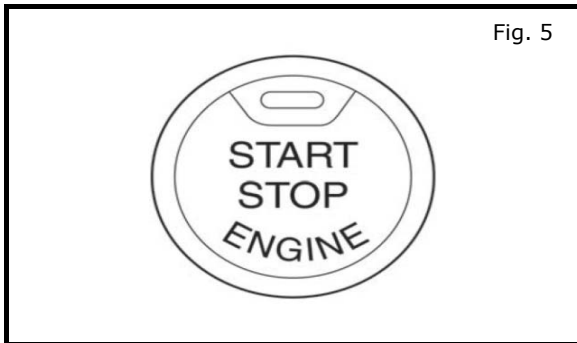
- Take care not to scratch or damage any component during the removal or re-installation process.
- Trim pieces found to have witness marks or broken clips ARE NOT to be reinstalled.
- Always remove vehicle parts in the sequence directed, improper procedure can damage parts.
- Store removed parts in a safe and protected manner.

10. ORDER OF INSTALLATION:

- 1.) Gently remove the necessary exterior and under car panels and trim.
- 2.) Install fog lamp assemblies.
- 3.) Install and route both jumper harnesses.
- 4.) Install fascia finishers.
- 5.) Carefully replace all panels and trim.

INSTALLATION INSTRUCTIONS

11. INSTALLATION PROCEDURE:



- 1) Unlocking the steering wheel
 - a) Push ignition switch in center without depressing brake pedal once to change to ACC position.

- 2) Unlocking the steering wheel
 - a) Turn steering wheel to left and right be **SURE** it is unlocked before proceeding as shown in Fig. 6.

- 3) Opening the hood.
 - a) Pull hood lock release handle located below driver side instrument panel as shown in Fig. 7.
 - b) Hood will spring up slightly.

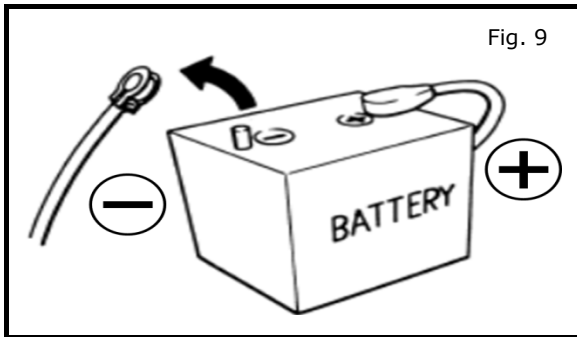
- 4) Opening the hood.
 - a) Push the lever at the front of the hood to the side as illustrated with your fingertips and raise the hood as shown in Fig. 8.
 - b) Raise hood.

CAUTION

- **Make sure vehicle is in the OFF position then close all doors and allow vehicle to time out.**

INSTALLATION INSTRUCTIONS

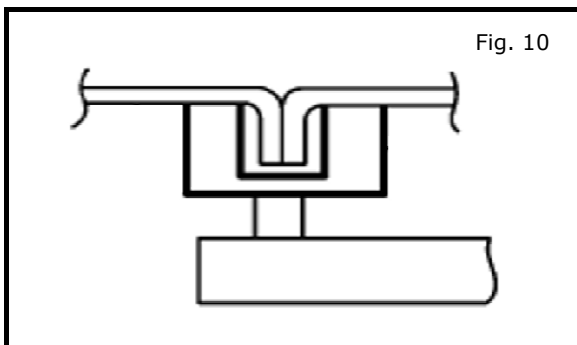
11. INSTALLATION PROCEDURE:



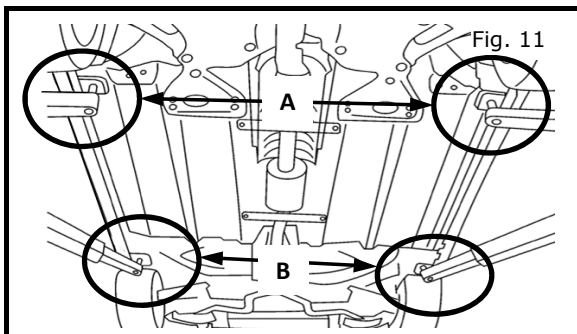
- 5) Disconnecting battery terminal.
 - a) Use 1/4 ratchet and 10mm socket loosen Negative Terminal.
 - b) Remove and isolate negative terminal from negative post as shown in Fig. 9.

⚠ CAUTION

- **Allow an additional 5 min after negative terminal dis-connect before separating any electrical connectors.**



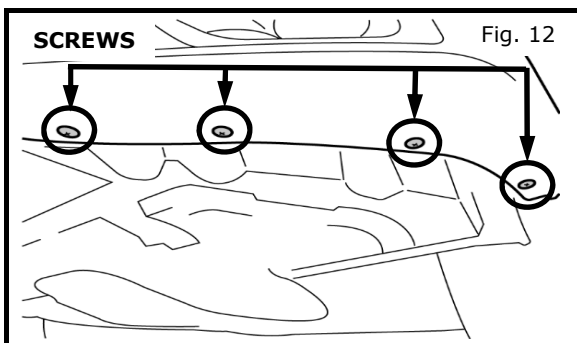
- 6) Raising vehicle.
 - a) Place appropriate lift pad adapter on the hoist arm as shown in Fig. 10.



- 7) Raising vehicle.
 - a) Be sure to position front lift arms on lift points marked here as "a" or the rear lift points marked as "b" as shown in Fig. 11.
 - b) Raise vehicle to an appropriate working height and rest lift on locks.

⚠ WARNING

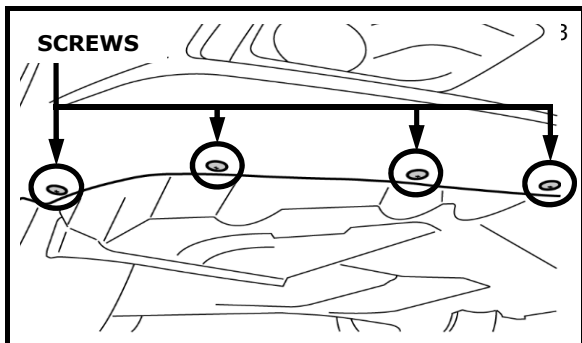
- **Make sure the hoist is resting on the locks and the vehicle is secure before beginning work.**



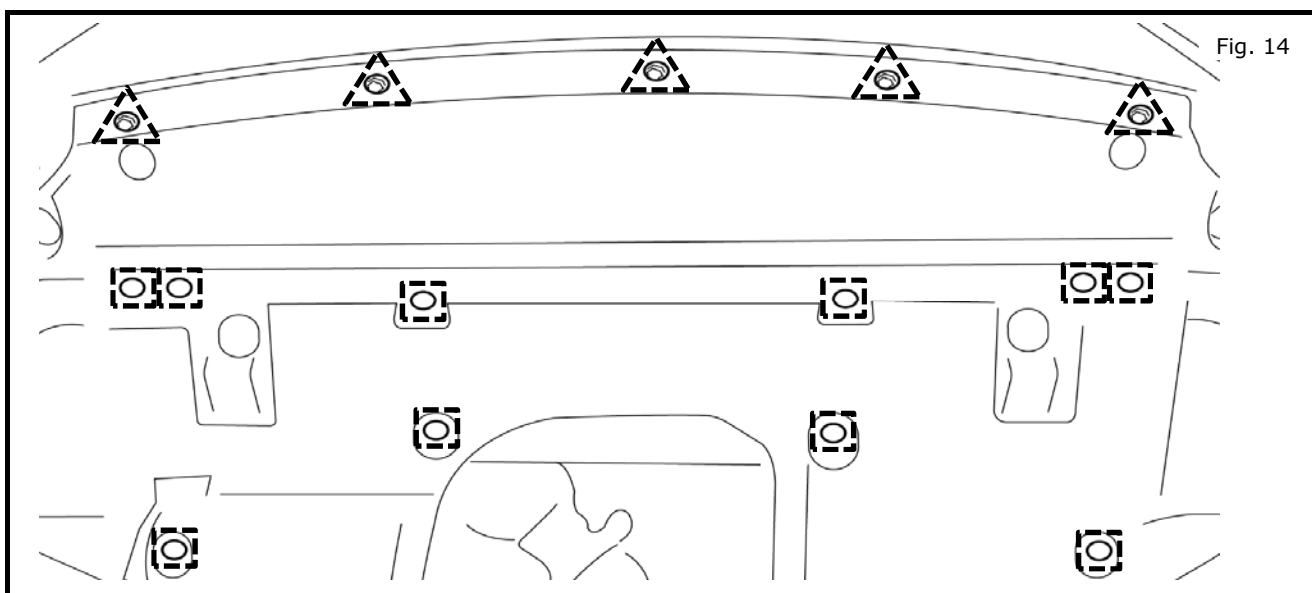
- 8) Moving front under cover and fender protector.
 - a) Locate front under cover under front fascia.
 - b) Remove four (4) phillips screws from LH side as shown in Fig. 12.

INSTALLATION INSTRUCTIONS

11. INSTALLATION PROCEDURE:

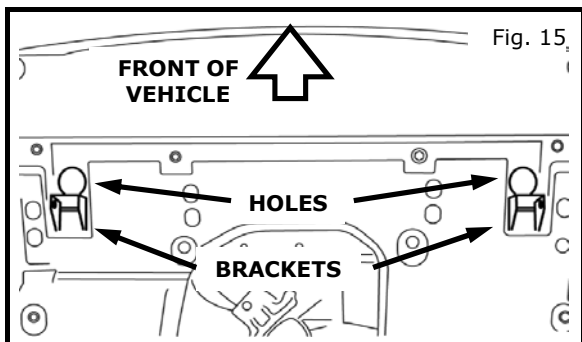


- 9) Moving front under cover and fender protector.
 a) Remove four (4) phillips screws from RH side as shown in Fig. 13.



- 10) Moving front under cover and fender protector.
 a) Remove five (5) 10mm bolts as shown in Fig. 14.
 b) Remove ten (10) trim clips as shown in Fig. 14.

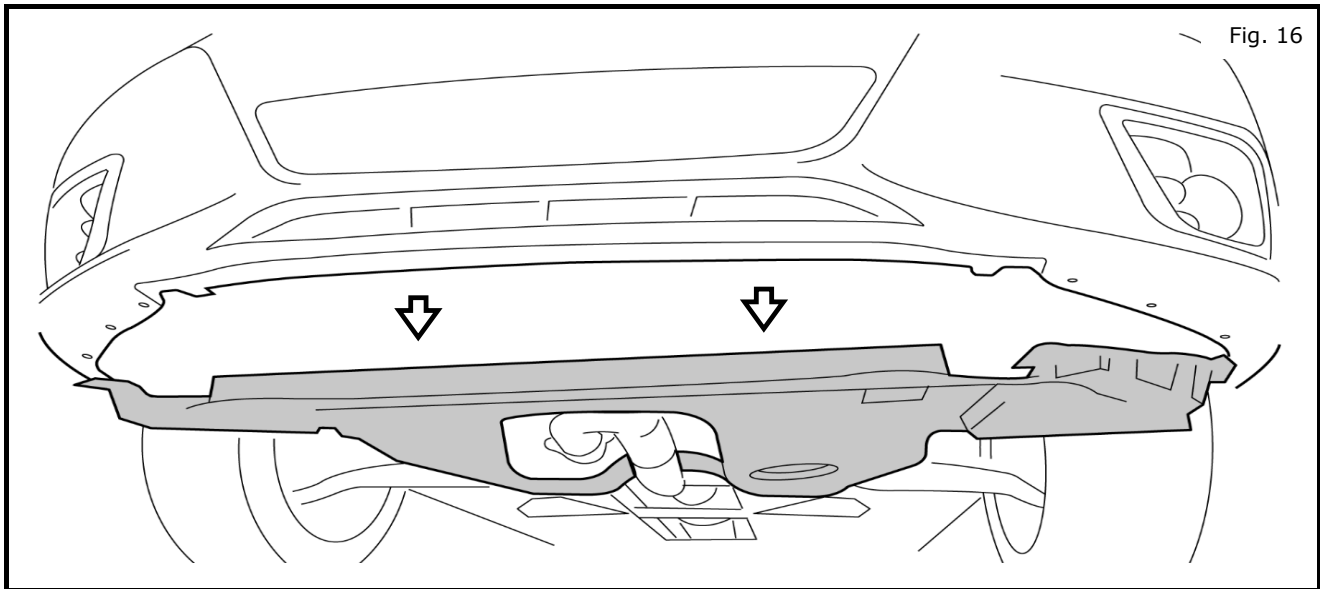
10mm hex bolt 
Trim clips 



- 11) Moving front under cover and fender protector.
 a) Carefully move front under cover and fender protector by gently pulling forward and down on each of holes to slip front under cover over brackets behind as shown in Fig. 15.

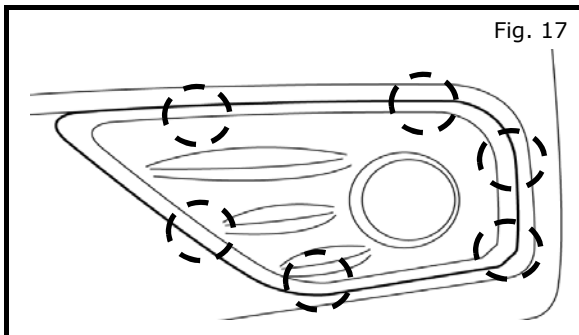
INSTALLATION INSTRUCTIONS

11. INSTALLATION PROCEDURE:



12) Moving front under cover and fender protector.

- a) Carefully let front under cover and fender protector side cover hang down as shown in Fig. 16.



13) Removing Fog Lamp Finisher.

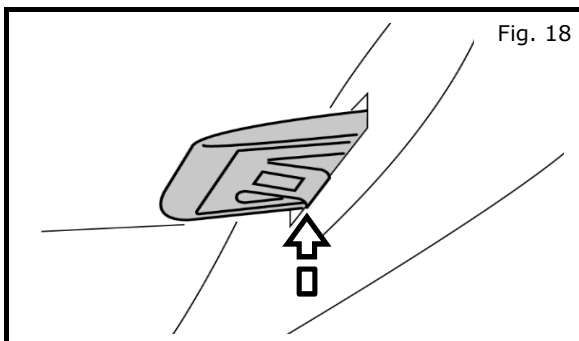
- a) There are six (6) retaining tabs on inside of fascia as shown in Fig. 17.

Retaining Tabs



⚠ CAUTION

- Take care not to scratch or damage any component during the removal process.

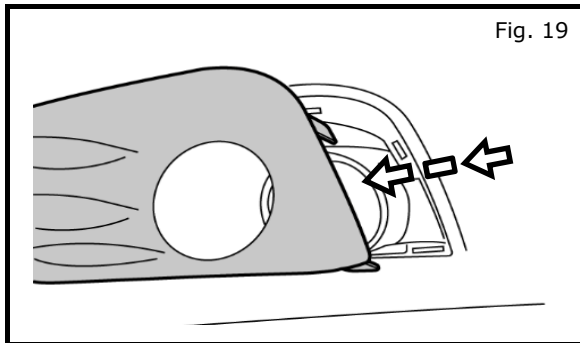


14) Removing Fog Lamp Finisher.

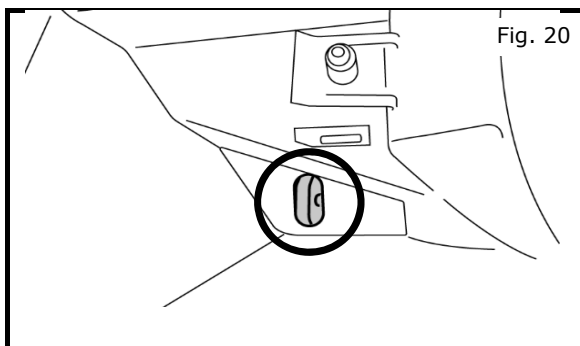
- a) Carefully depress retaining tabs on inside of fascia and push finisher outward from behind as shown in Fig. 18.

INSTALLATION INSTRUCTIONS

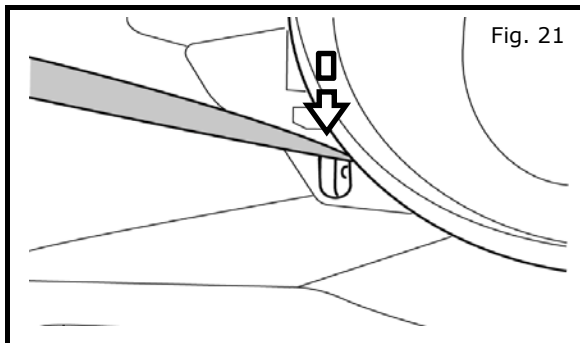
11. INSTALLATION PROCEDURE:



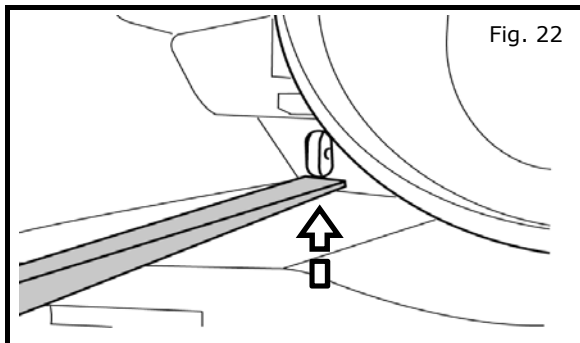
- 15) Removing Fog Lamp Finisher.
- Carefully pull down front fender protector side cover directly in front of the wheel as shown in Fig. 19.



- 16) Removing Fog Lamp Harness Connector.
- Locate fog lamp connector retaining clip in the LH corner of fog lamp area in fascia as shown in Fig. 20.



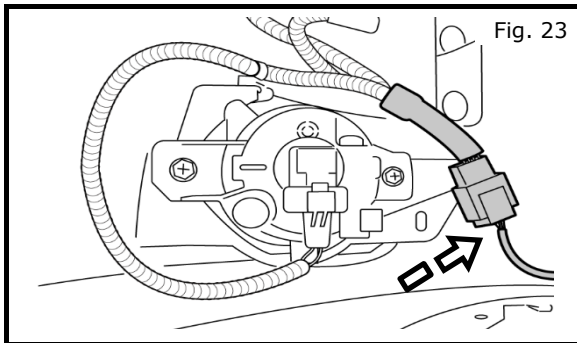
- 17) Removing Fog Lamp Harness Connector.
- Carefully release the upper tab with a trim tool as shown in Fig. 21.



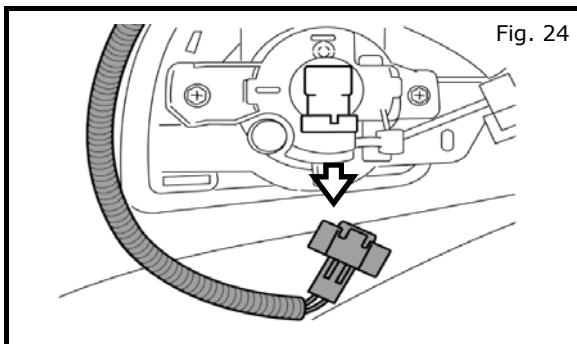
- 18) Removing Fog Lamp Harness Connector.
- Carefully release the lower tab with a trim tool as shown in Fig. 22.

INSTALLATION INSTRUCTIONS

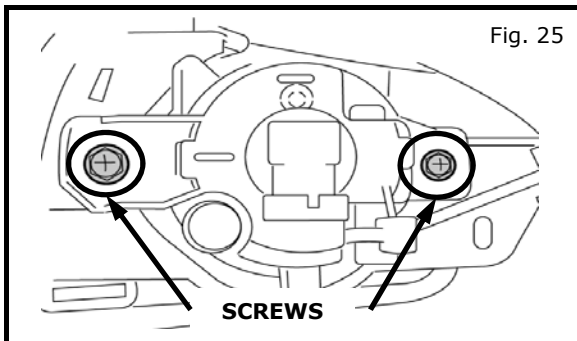
11. INSTALLATION PROCEDURE:



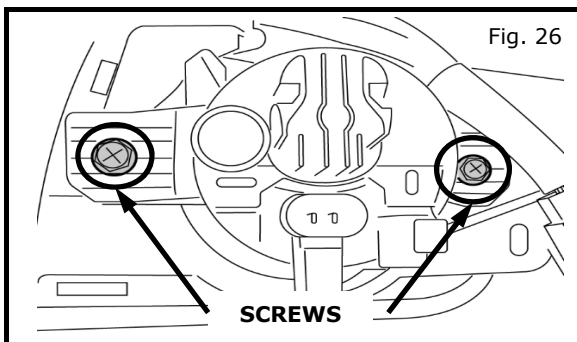
- 19) Removing Fog Lamp Harness Connector.
a) Move fog lamp sub harness connector out of way as shown in Fig. 23.



- 20) Removing Fog Lamp Connector.
a) Remove fog lamp connector from fog lamp as shown in Fig. 24.



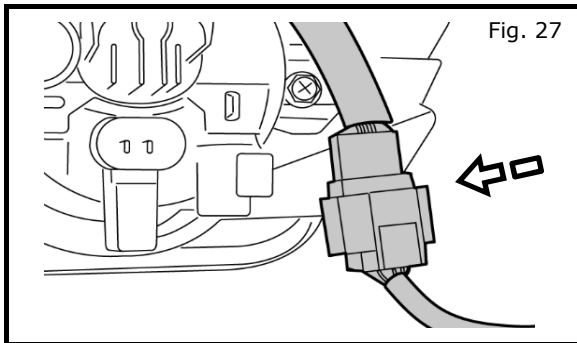
- 21) Remove halogen fog lamp assembly.
a) Remove two (2) 10mm bolts as shown in Fig. 25.
b) Remove halogen fog lamp assy.



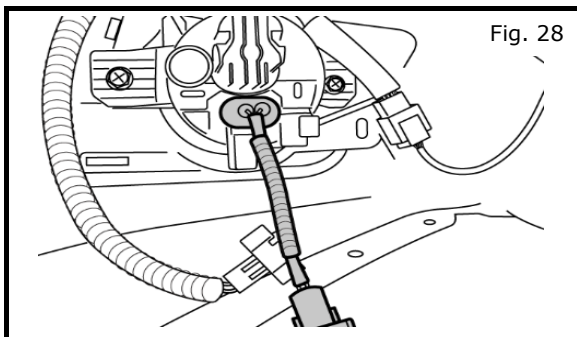
- 22) Installing LED fog lamp assembly.
a) Install LED fog lamp assembly into fascia as shown in Fig. 26.
b) Secure with two (2) 10mm bolts and torque to **5.4 N-m**.

INSTALLATION INSTRUCTIONS

11. INSTALLATION PROCEDURE:



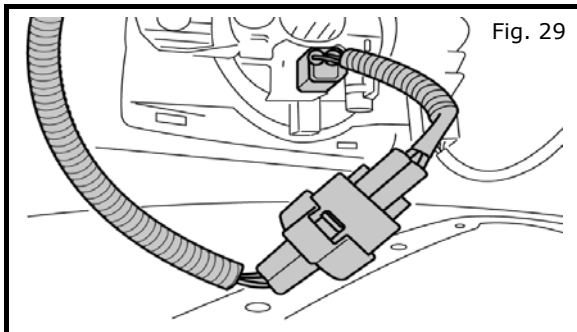
- 23) Installing Fog Lamp Harness Connector.
a) Install fog lamp connector clip into its locator hole as shown in Fig. 27.



- 24) Connecting jumper harness.
a) Install fog lamp sub harness into connector on back of fog lamp as shown in Fig. 28.

CAUTION

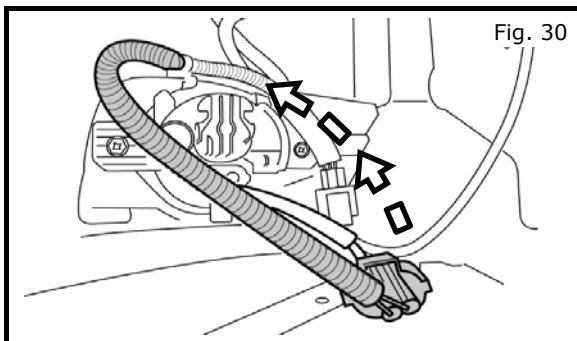
- Listen for engagement and confirm connector is secure before proceeding.



- 25) Connecting jumper harness.
a) Install opposite end of sub harness into pre-wire connector as shown in Fig. 29.

CAUTION

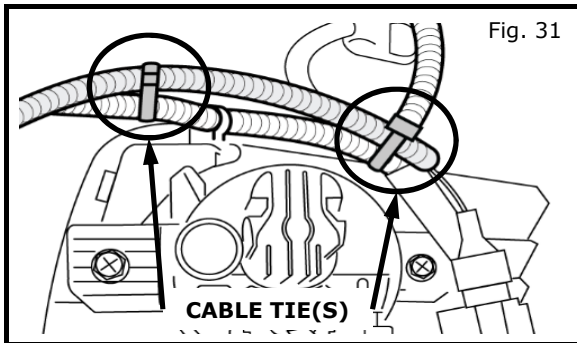
- Listen for engagement and confirm connector is secure before proceeding.



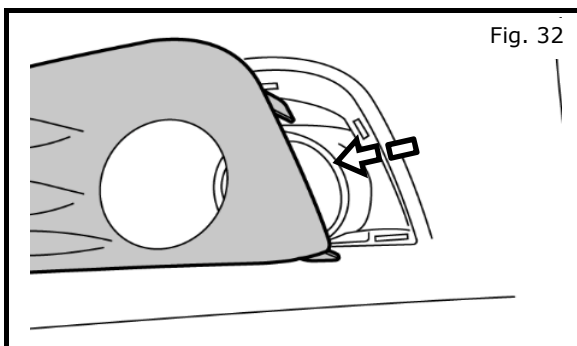
- 26) Securing jumper harness.
a) Carefully position jumper harness up to fog lamp sub harness to secure as shown in Fig. 30.

INSTALLATION INSTRUCTIONS

11. INSTALLATION PROCEDURE:

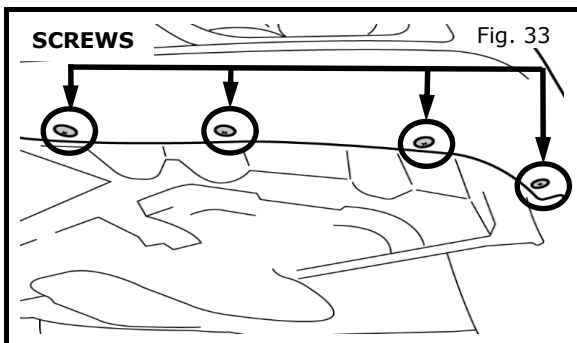


- 27) Securing jumper harness.
- Secure fog lamp jumper harness with two (2) cable ties as shown in Fig. 31.

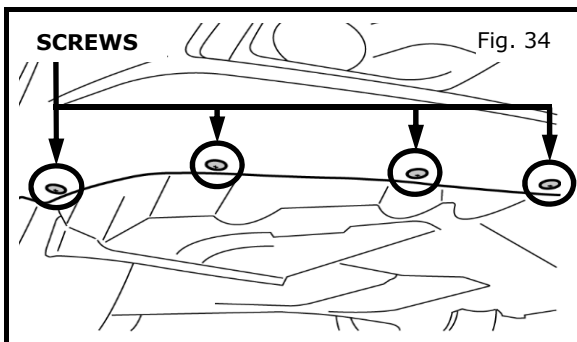


- 28) Installing fog lamp finisher.
- Install fog lamp sub harness into connector on back of fog lamp as shown in Fig. 32.

Repeat steps 13 through 28 for passenger side of vehicle.



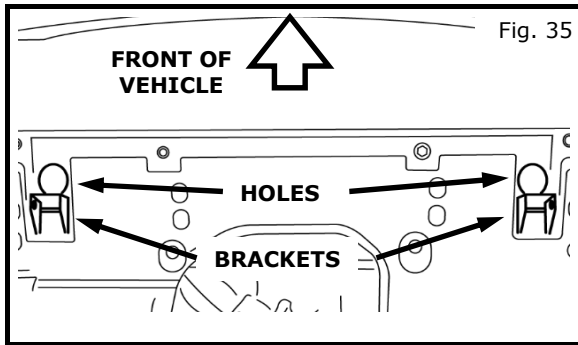
- 29) Installing front under cover and fender protector.
- Carefully slip front under cover into fascia.
 - Install four (4) phillips screws into LH side as shown in Fig. 33.



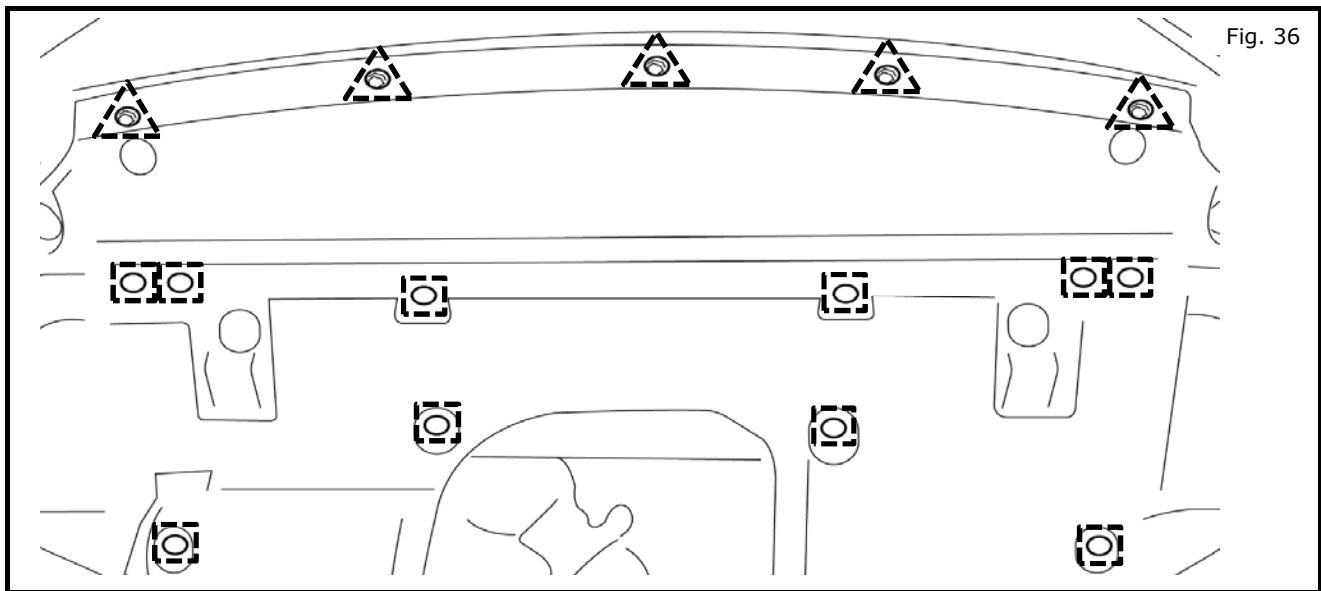
- 30) Installing front under cover and fender protector.
- Carefully slip front under cover into fascia.
 - Install four (4) phillips screws into RH side as shown in Fig. 34.

INSTALLATION INSTRUCTIONS

11. INSTALLATION PROCEDURE:



- 31) Installing front under cover and fender protector.
- a) Carefully slip front under cover over brackets by gently pulling forward and up on each of holes to slip front under cover over brackets in behind as shown in Fig. 35.



- 32) Installing front under cover and fender protector.
- a) Install five (5) 10mm bolts as shown in Fig. 36.
- b) Install ten (10) trim clips as shown in Fig. 36.

10mm hex bolt
Trim clips



INSTALLATION INSTRUCTIONS

12. ACCESSORY FUNCTION CHECK:

CAUTION

- **Make sure all connector lock tabs are engaged before proceeding with accessory check.**

- Connect battery negative terminal and tighten terminal nut to 5.4 N-m.
- Push ignition button until vehicle is in ACC position.
- Turn headlamp and fog lamp switches to ON position.
- Verify headlamps, fog lamps and tail lamps are illuminated.
- Verify headlamps and fog lamp indicators are illuminated on meter assembly.
- Verify turn signal, hazard and high beam functionality.
- Verify turn signal, hazard and high beam indicators are illuminated on meter assembly.
- Verify turn wiper and washer functionality.
- Turn headlamp switch to OFF position, leaving fog lamp switch in ON position.
- Verify both headlamp and fog lamps turn off.

INSTALLATION INSTRUCTIONS

13 FINAL INSPECTION:

CAUTION

- Refer to the vehicle service manual for more information.

- Verify interior and exterior is not damaged.
- Turn ignition switch to the "ON" position to confirm proper operation of vehicle systems.
 - Verify that there are no new Diagnostic Trouble Codes.
 - Verify all windows and sunroof (if equipped), one touch operation and perform the reset procedure if necessary. Refer to the vehicle service manual for more details.
 - Tail Lamp - Turn on headlamps; open glove box and note whether light goes on.
 - Confirm proper audio function (AM, FM, SAT, CD and AUX).
 - Re-program radio presets and other vehicle settings to the recorded settings if necessary.
- Front Sonar Module Connector - Turn on vehicle, put vehicle in 'Drive'. Move slowly towards a large object in front of the vehicle. Note whether alarm sounds.
- Rear Sonar Module Connector - Turn on vehicle, put vehicle in 'Reverse'. Move slowly towards a large object behind the vehicle. Note whether alarm sounds.
- Place the Owner Manual, Quick Reference Guide, and/or other Manual in the glove box.
- If this vehicle will be returned to a dealer lot or showroom for an extended period of time, be sure the extended storage switch is placed in the "inventory" position.

INSTALLATION INSTRUCTIONS

15 BILL OF MATERIALS:

999F1 V4000 LED Fog Lamp Upgrade

Item	Qty.	Part Description	Part Number
A	1	RH LED Fog Lamp Assembly	999F1 26150
B	1	LH LED Fog Lamp Assembly	999F1 26155
C	2	Fog Lamp Sub Harness	B61E1 3JY4A
D	4	Cable Ties	N/A
E	1	II Replacement Template	999V2 AW000
F	N/A	Installation Instructions	999K1 V400AII

INSTALLATION INSTRUCTIONS

16 MECHANIZATION:

FOG LAMP FUNCTION : System Description

