



GENUINE PARTS

INSTALLATION INSTRUCTIONS

1. DESCRIPTION: SIDE WINDOW DEFLECTOR

2. APPLICATION: 2005 and later, TITAN

3. PART NUMBER: 999D3 WQ000 & 999D3 WQ001

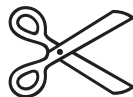
4. KIT CONTENTS:999D3 WQ000

<u>Item No.</u>	<u>Qty</u>	<u>Description</u>
1)	1	Side window deflector, front, driver side
2)	1	Side window deflector, front, passenger side
3)	2	Isopropyl alcohol pads
4)	6	Brackets
5)	6	2- Piece fasteners
8)	6	Paint Protection Strips

KIT CONTENTS:999D3 WQ001

<u>Item No.</u>	<u>Qty</u>	<u>Description</u>
1)	1	Side window deflector, front, driver side
2)	1	Side window deflector, front, passenger side
3)	1	Side window deflector, rear, driver side
4)	1	Side window deflector, rear, passenger side
5)	4	Isopropyl alcohol pads
6)	10	Brackets
7)	10	2 - Piece fasteners
8)	10	Paint Protection Strips

5. TOOLS REQUIRED:



Scissors



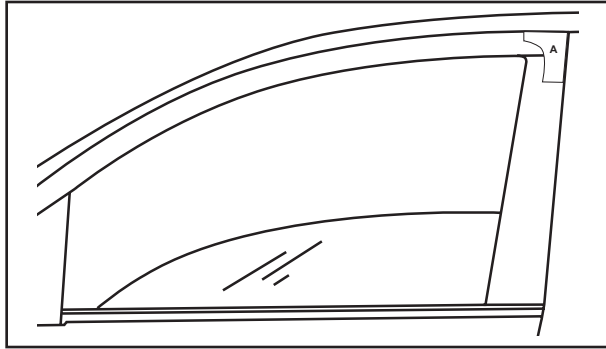
Masking Tape

6. INSTALLATION PRECAUTIONS / NOTES:

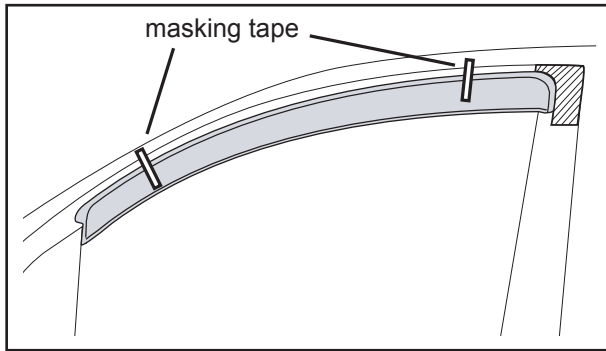
- Read all instructions carefully before beginning the installation.
- The deflectors mount on the outside surface of the door frame.
- The ideal ambient temperature for installation is above 55°F (15°C).
- No driving for one hour after installation
- No moisture contact or washing vehicle for 24 hours after installation
- Templates are used text side in for the driver's side, then re-used for the passenger side.

INSTALLATION INSTRUCTIONS - SIDE WINDOW DEFLECTOR

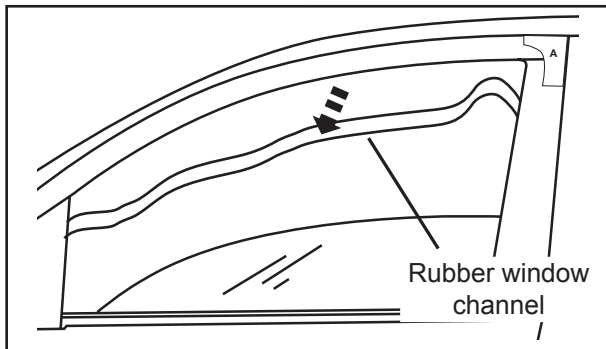
7. BRACKET INSTALLATION PROCEDURE



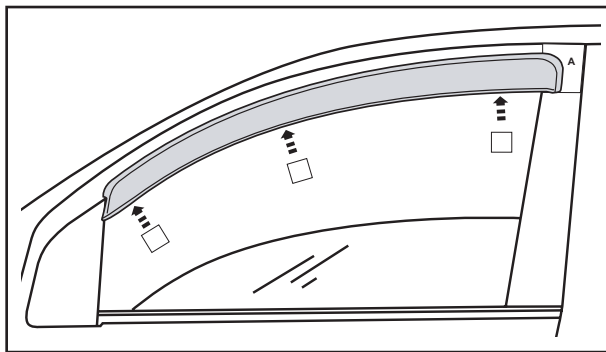
- 1) Bracket Assembly
 - a) Lower front window.
 - b) Cut out template A and attach to door frame with masking tape.



- c) Set the front visor in place, aligning with template A and mirror base. Hold visor in place with masking tape.

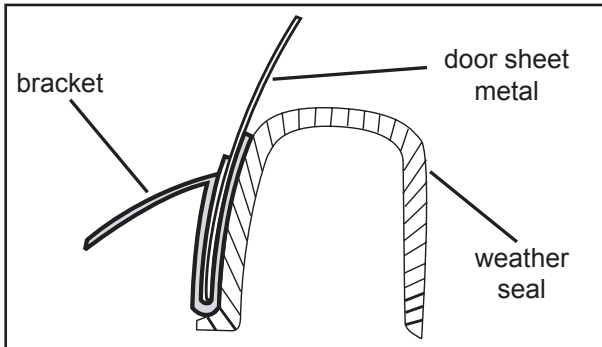


- d) Carefully pull rubber window channel down to expose the sheet metal flange.

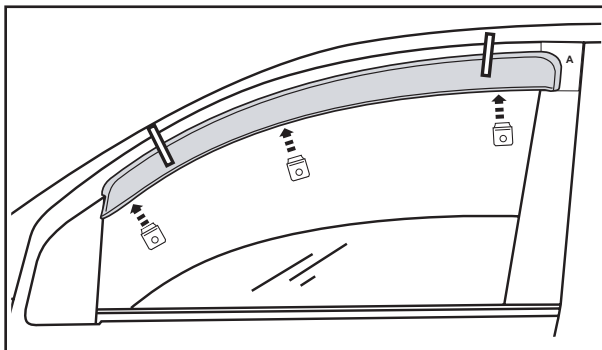


- e) Attach three (3) paint protection film strips to the door frame, center with the holes in the visor. Wrap approximately 5mm of the film strip around the sheet metal.

INSTALLATION INSTRUCTIONS - SIDE WINDOW DEFLECTOR

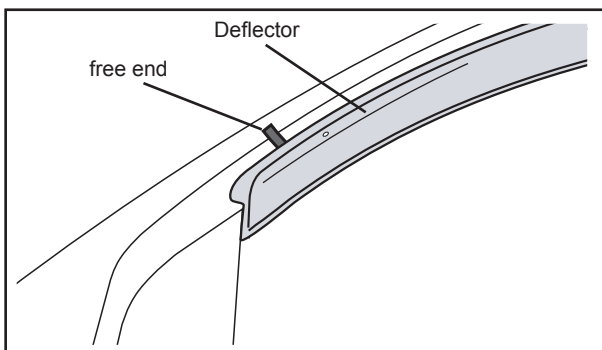
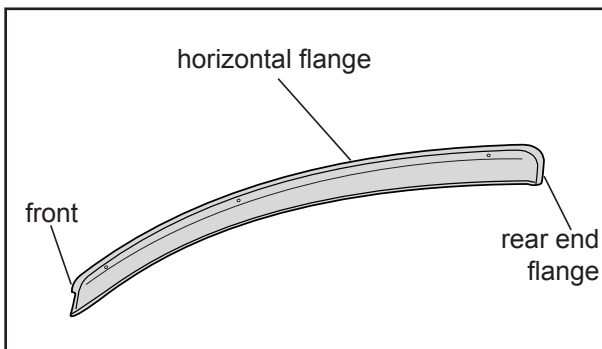


f) Attach three (3) brackets to the door frame, aligning the holes in the bracket and visor. Ensure bracket is fully seated around the flange.

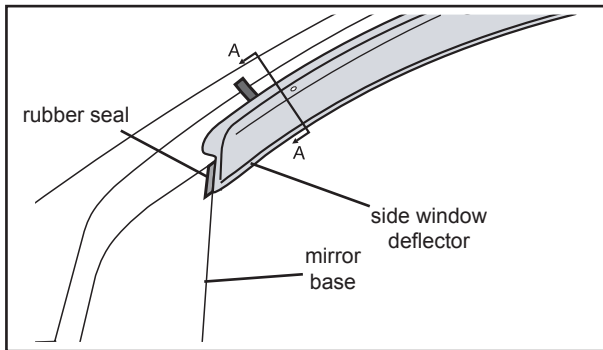


2) Front deflector installation

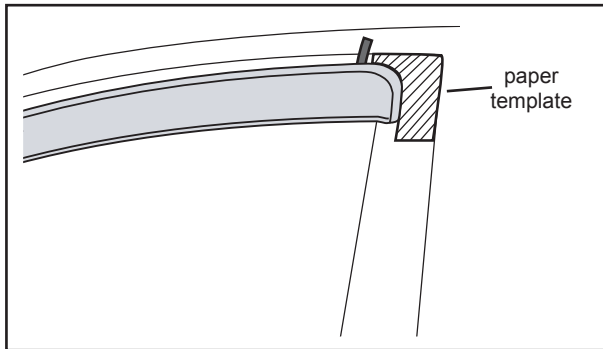
- a) Remove the visor from the door, discard masking tape.
- b) Clean the door frame where the deflector will mount with an alcohol pad.
- c) Peel back 1" of tape liner from bottom end of the rear end flange. Remove the tape liner from the front flange.
- d) Peel back 2" of tape liner from the front and rear ends of the horizontal flange and fold over towards the top of the visor. This will reduce the risk of tape contamination in the occurrence of initial improper positioning of deflector.



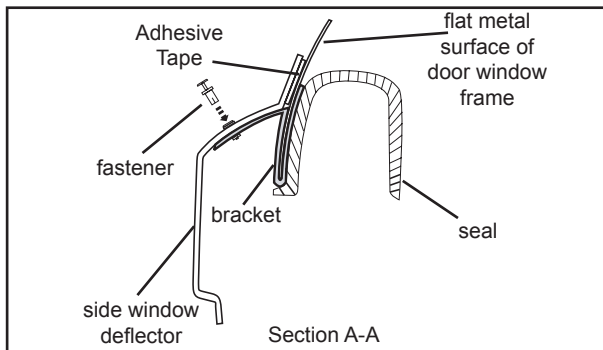
INSTALLATION INSTRUCTIONS - SIDE WINDOW DEFLECTOR



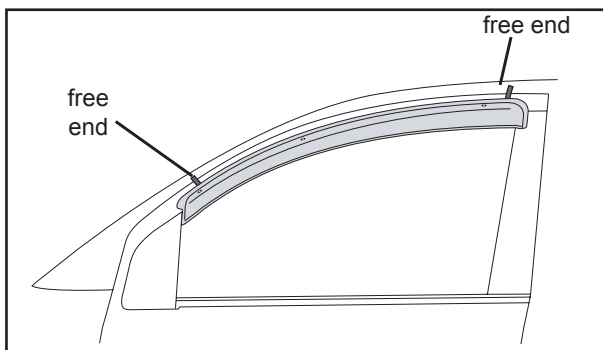
e) Position the front end flange of the side window deflector with the rubber seal butted up against the mirror base and the upper edge of the front end flange against the door frame. Set visor into place, resting on brackets. Make sure the brackets align with the holes in the visor. Adjust bracket location if necessary.



f) Check alignment of rear flange with paper template.
g) Lightly press the exposed areas of tape to secure and verify position.



h) Secure visor to bracket with three (3) 2-piece fasteners.

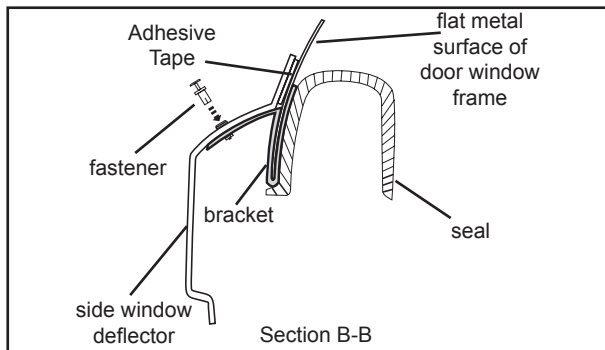
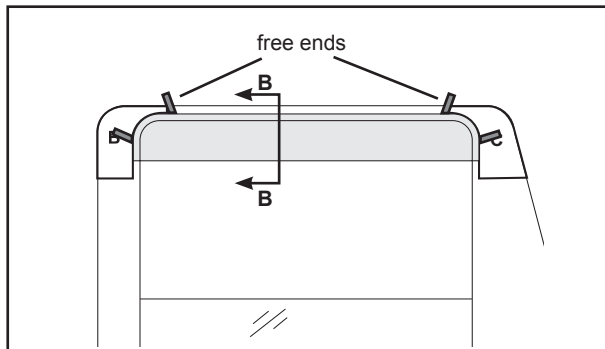
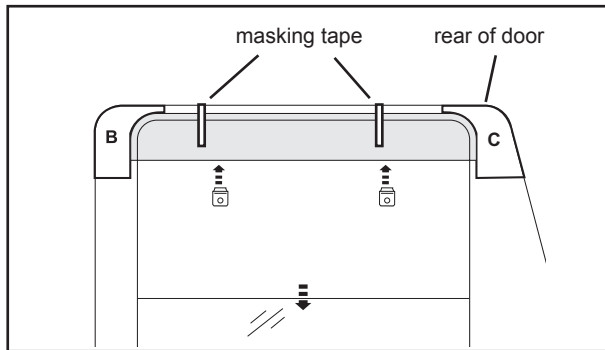


i) With the deflector in its final position, remove the remainder of the tape liner by pulling on the free end from front to rear.
j) Press (using fingers and thumb) on the flange from the front to the rear every 1" with enough force to shake the vehicle by 1" left and right.
k) Carefully place rubber window channel back in place. Make sure it is fully seated.

Repeat steps 1 through 2 for opposite side of Titan King Cab. Re-use template A on the opposite side of the vehicle.

NOTE: Continue on to page 5 for Titan Crew Cab

INSTALLATION INSTRUCTIONS - SIDE WINDOW DEFLECTOR



3) Rear door deflector preparation

Important: Left and right rear door identification: The vehicle logo should be at the rear end of the deflector.

- a) Install two (2) brackets on rear window assembly using the same procedure as described in Step 1, use templates B & C.

4) Rear door deflector installation

- a) Clean the door frame where the deflector will mount with an alcohol pad.
- b) Peel back 2" of tape liner from the rear end of the horizontal flange and fold over towards the top of the visor. This will reduce the risk of tape contamination in the occurrence of initial improper positioning of deflector.
- c) Peel back 1" of tape liner from the front and rear flanges.
- d) Set visor in place on brackets. Make sure holes in visor line up with holes in brackets.
- e) Align front and rear edges of visor with paper templates to ensure correct placement.
- f) Lightly press the exposed areas of tape to secure and verify position.

Important: The tape on the deflector should contact the flat surface and not the radius of the door frame nor the rubber seal. See Section B-B .
- g) Secure visor to bracket with two (2) 2-piece fasteners.
- h) With the deflector in its final position, remove the remainder of the tape liner by pulling on the free end from front to rear.
- i) Press (using fingers and thumb) on the flange from the front to the rear every 1" with enough force to shake the vehicle by 1" left and right.
- j) Carefully place rubber window channel back in place. Make sure it is fully seated.

Repeat steps 3 and 4 for the opposite side, re-using templates B and C.

This page intentionally left blank.



Template
B

Template
A

Template
C