



GENUINE PARTS

INSTALLATION INSTRUCTIONS

1. **DESCRIPTION:** Side Step
2. **APPLICATION:** Titan (2004)
3. **PART NUMBER:** 999T6 WV000
4. **KIT CONTENTS:**

Item	QTY	Description	Service Part Number
A	2	Side Step	
B	4	Bolt Hex 8mm x 25mm	81-56825-2F
C	4	Nut Hex 8mm	89-11108-2G
D	1	Installation Instructions Replacement Template	



A



B

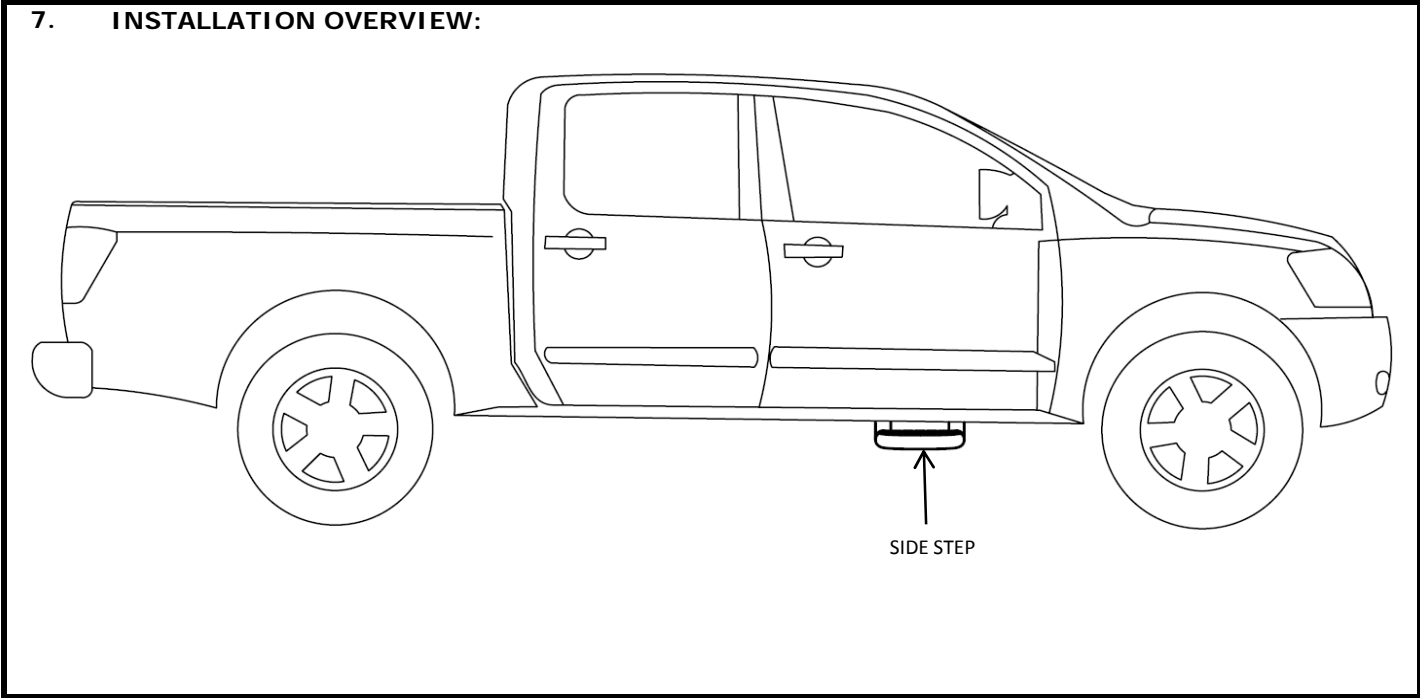


C



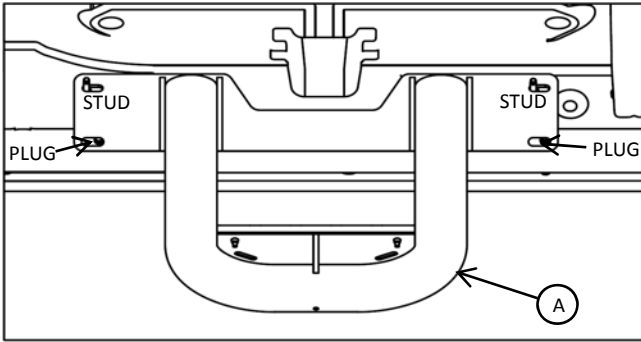
D

5. **TOOLS REQUIRED:**
 - Ratchet
 - 12mm Deep-well Socket
 - Torque Wrench
 - Eye Protection
6. **PRE-INSTALLATION CAUTIONS/NOTES:**
 - Study illustrations and read the instructions carefully before attempting assembly
 - Always wear safety glasses while working under any vehicle

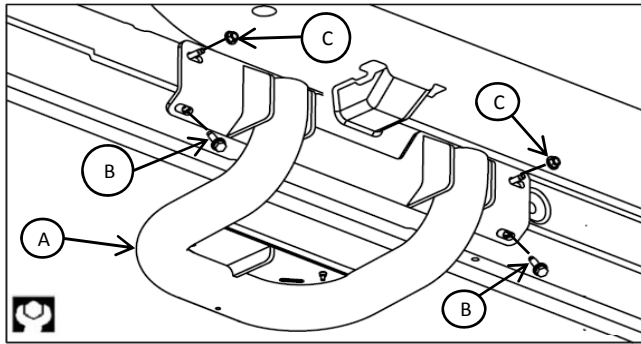


INSTALLATION INSTRUCTIONS - SIDE STEP

8. INSTALLATION PROCEDURE:



- 1) Remove plugs from holes on underside of vehicle rocker panel.
- 2) Hang step (A) on studs located on underside of vehicle rocker panel as shown.





- 3) Attach Step to vehicle
 - a) Thread M8 bolts (B) into holes on the angled surface of the step, then thread M8 nuts (C) onto studs on vertical surface
 - b) Torque M8 bolt (B) to 24Nm (17.3 ft-lbs). Torque M8 nut (C) to 14Nm (10.5 ft-lbs).

- 4) Repeat Steps 1, 2, and 3 for remaining step on the other side of vehicle.

9. CHECKLIST:

Torque Table

	Picture	QTY	Description	Part Number	Torque Spec
<input type="checkbox"/>		4	Bolt Hex, 8mm	81-56825-2F	24 Nm
<input type="checkbox"/>		4	Nut Hex, 8mm	89-11108-2G	14 Nm

Prior to completion, verify the following

- Checklist Item #1
- Checklist Item #2