



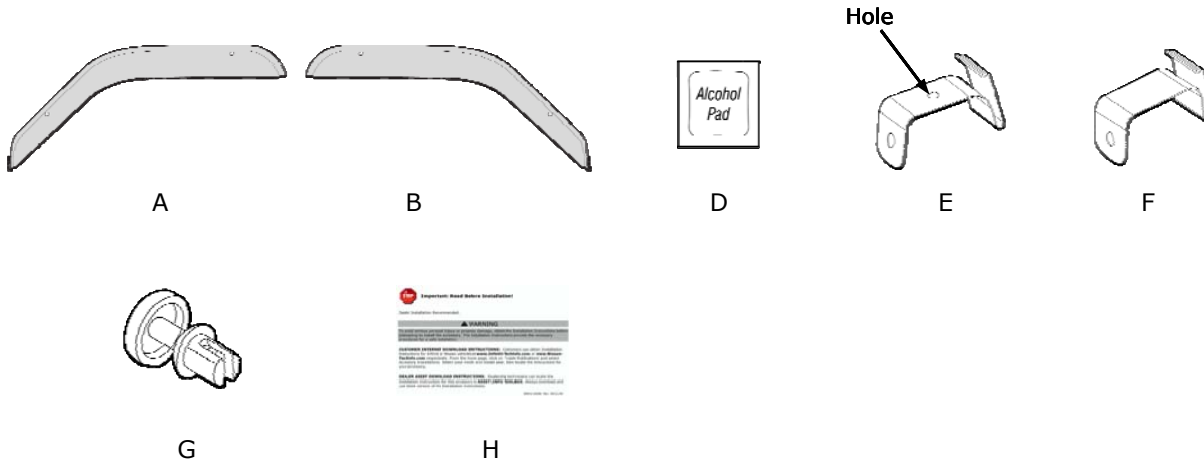
# GENUINE PARTS

## INSTALLATION INSTRUCTIONS

**DESCRIPTION:** SIDE WINDOW DEFLECTOR  
**APPLICATION:** NV Cargo & Passenger (2011)  
**PART NUMBER:** 999D3 HX000

### KIT CONTENTS:

Item	Qty.	Part Description	Service Part Number
A	1	Side Window Deflector, front, driver side	---
B	1	Side Window Deflector, front, passenger side	---
C	1	Installation Hardware Kit	---
D	2	● Isopropyl alcohol pad	---
E	2	● Lower Bracket	---
F	2	● Upper Bracket	---
G	4	● 2 - Push Rivet	---
H	1	Installation Instruction Replacement Template	---



### TOOLS REQUIRED:

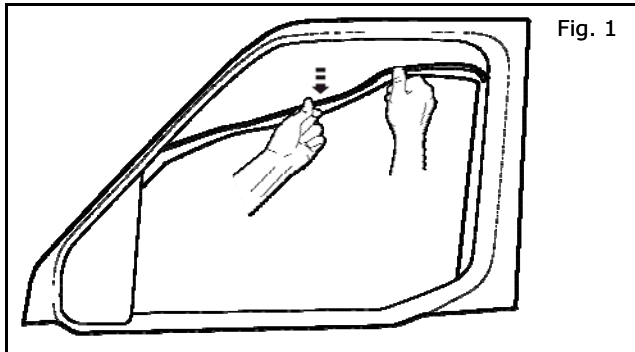
- Clean Cloth
- Soap/Water
- Masking Tape
- Scale/Measuring Tape (mm)

### CAUTIONS/NOTES:

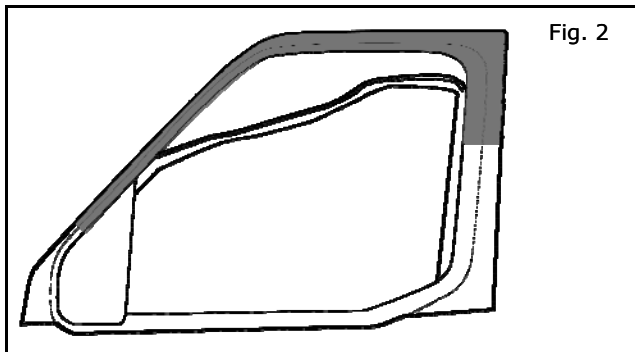
- Read all instructions carefully before beginning the installation.
- The ideal ambient temperature for installation is above 55°F (15°C).
- No driving for one hour after installation.

## INSTALLATION INSTRUCTIONS - SIDE WINDOW DEFLECTOR

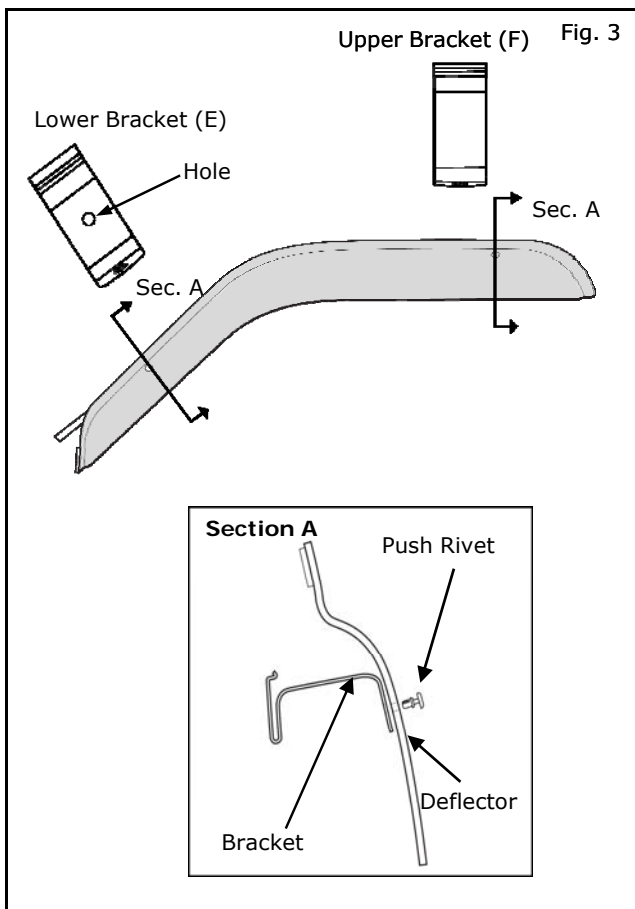
### INSTALLATION PROCEDURE:



- 1) Clean front door with soap/water and dry with a clean cloth.
- 2) Lower window and pull rubber weather strip down to expose door flange.



- 3) Clean highlighted area of door with alcohol pad.



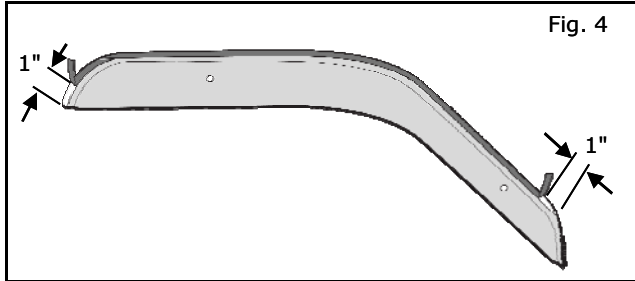
- 4) Attach (2) brackets to deflector using (2) push rivets. Push rivet should be seated flush against flange fully engaged.

**NOTE:**

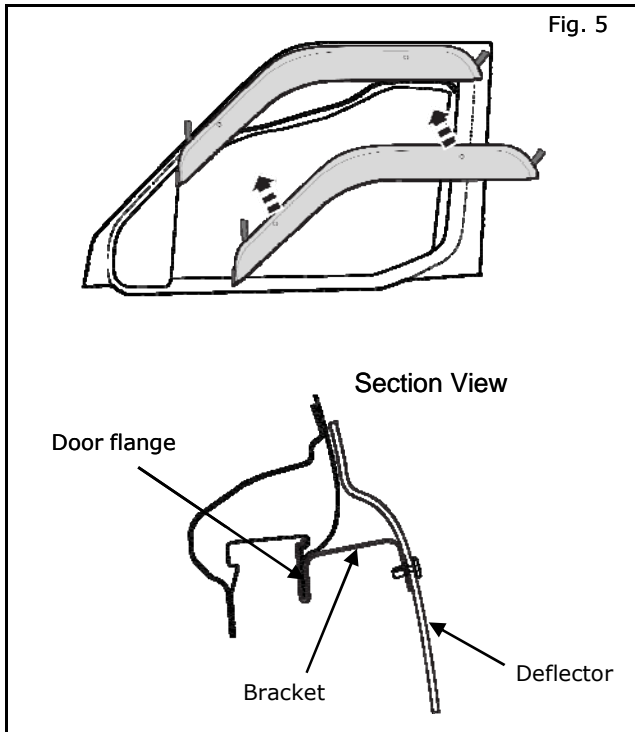
**Lower bracket (E) has additional hole to differentiate from Upper bracket (F).**

# INSTALLATION INSTRUCTIONS - SIDE WINDOW DEFLECTOR

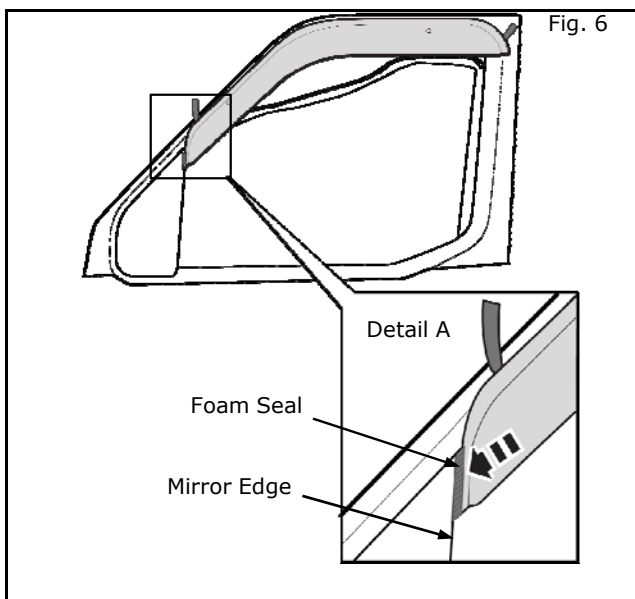
## INSTALLATION PROCEDURE (CONTINUED):



- 5) Peel approximately 1" of tape liners and fold back.



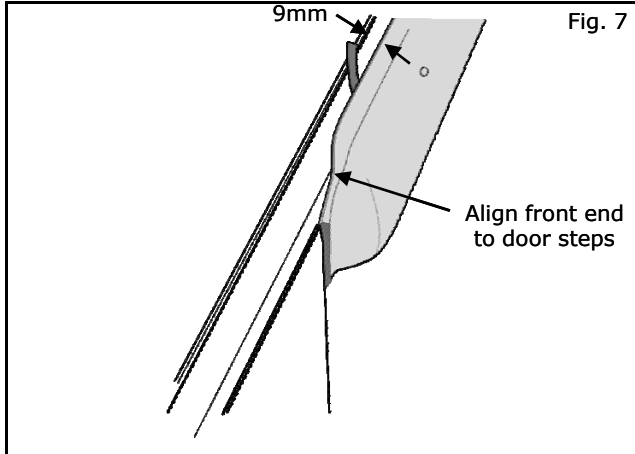
- 6) Attach deflector to door by sliding brackets onto door flange.



- 7) Slide deflector forward so foam seal compresses against mirror edge (see Detail A).

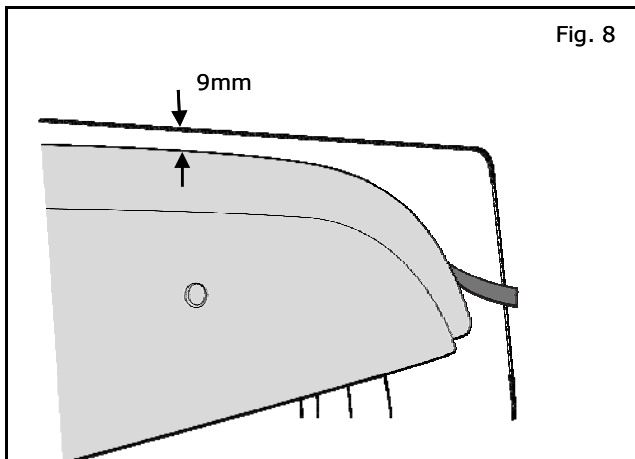
## INSTALLATION INSTRUCTIONS - SIDE WINDOW DEFLECTOR

### INSTALLATION PROCEDURE (CONTINUED):



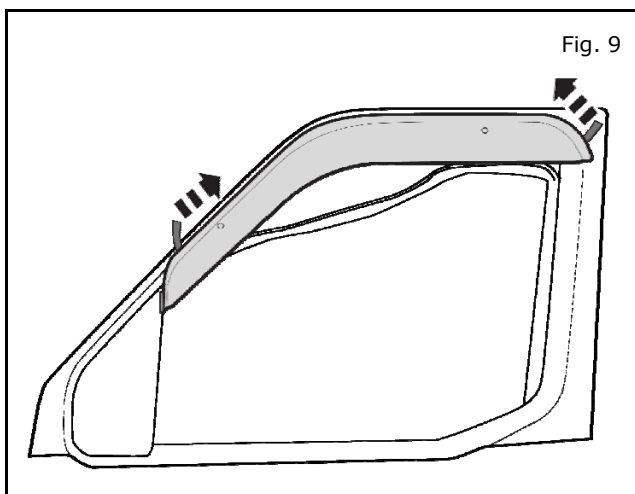
8) Align top of deflector edge 9mm down from top of door frame at front bracket location and align front end to door steps.

9) Tack down deflector at front pull tab.



10) Align top of deflector edge 9mm down from top of door frame at rear bracket location.

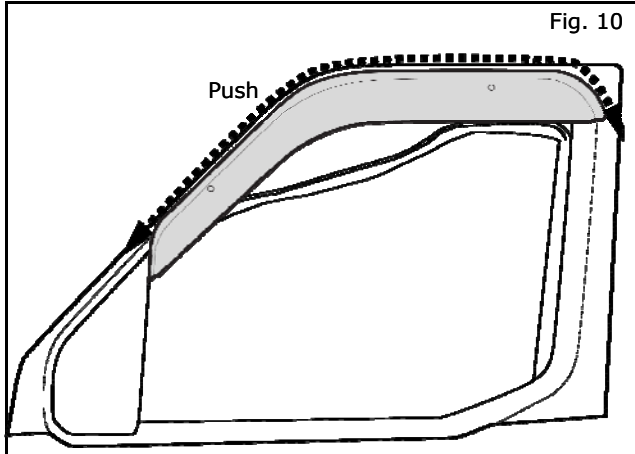
11) Tack down deflector at rear pull tab.



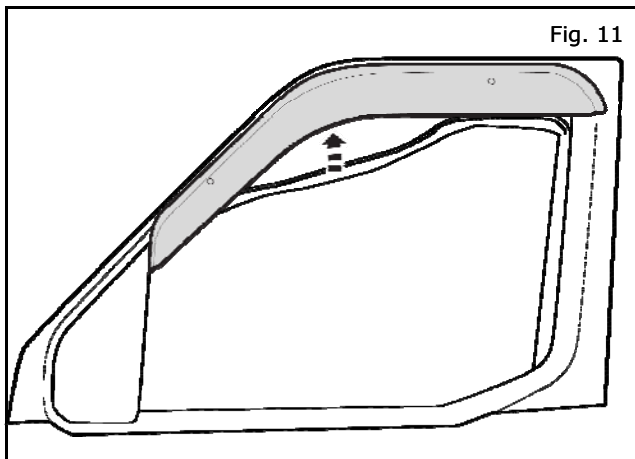
12) Remove tape liner by pulling on exposed pull tab.

## INSTALLATION INSTRUCTIONS - SIDE WINDOW DEFLECTOR

### INSTALLATION PROCEDURE (CONTINUED):



- 13) Apply at least 15 lbs. of pressure along tape length.



- 14) Replace rubber weather strip and make sure it is fully seated.

- 15) Repeat steps 1 thru 14 for opposite side.

### FINAL INSPECTION:

- Open and close window to confirm that windows are functioning properly.
- Verify exterior is not damaged.