



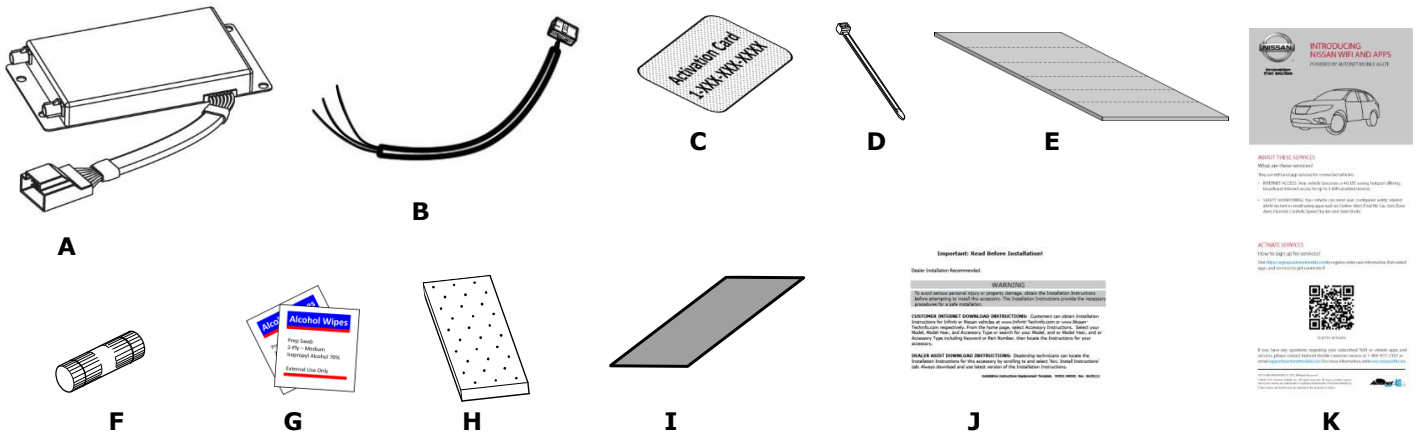
# GENUINE PARTS

## INSTALLATION INSTRUCTIONS

<b>DESCRIPTION:</b>	WiFi
<b>APPLICATION:</b>	Titan
<b>PART NUMBER:</b>	T99Q8 4RA0A (Wifi kit) 999Q9-AY001 (Accessory Service Connector) - Not Included in T99Q8 4RA0A WiFi Kit.

### KIT CONTENTS:

Item	Qty.	Part Description	Service Part Number
A	1	WiFi TCU Module	T98Q8 4RA0A
B	1	Wire Harness	T98Q8 4RA1A
C	1	Activation Card	
D	8	10" Cable Ties	
E	8	Foam Tape 1" x 3.5"	
F	3	Posi-Taps	999M1 VT000
G	2	Alcohol Wipe	
H	1	Two Sided Foam Tape	
I	5	PET Clear Tape 1" x 4"	
J	1	Installation Instruction Replacement Template	
K	1	Glove Box Brochure	
<b>ITEMS NOT IN KIT THAT MAY BE REQUIRED</b>			
AA	1	Accessory Service Connector (NOT INCLUDED IN KIT)	999Q9 AY001



**Important: Read Before Installation!**  
 Refer to the following information for details on the installation process.  
 1. Read the entire manual carefully and completely before attempting to install this system. The installation instructions provide the necessary procedures for a safe installation.  
 2. Read the entire manual carefully and completely before attempting to install this system. The installation instructions provide the necessary procedures for a safe installation.  
 3. Read the entire manual carefully and completely before attempting to install this system. The installation instructions provide the necessary procedures for a safe installation.  
 4. Read the entire manual carefully and completely before attempting to install this system. The installation instructions provide the necessary procedures for a safe installation.  
 5. Read the entire manual carefully and completely before attempting to install this system. The installation instructions provide the necessary procedures for a safe installation.  
 6. Read the entire manual carefully and completely before attempting to install this system. The installation instructions provide the necessary procedures for a safe installation.  
 7. Read the entire manual carefully and completely before attempting to install this system. The installation instructions provide the necessary procedures for a safe installation.  
 8. Read the entire manual carefully and completely before attempting to install this system. The installation instructions provide the necessary procedures for a safe installation.  
 9. Read the entire manual carefully and completely before attempting to install this system. The installation instructions provide the necessary procedures for a safe installation.  
 10. Read the entire manual carefully and completely before attempting to install this system. The installation instructions provide the necessary procedures for a safe installation.



**ABOUT THESE SERVICES**  
 What are these services?  
 These services are available through the Nissan Connect system. They are not available in all areas. For more information, visit us online at [www.nissanusa.com](http://www.nissanusa.com).  
 © 2016 Nissan North America, Inc. All rights reserved.



### TOOLS REQUIRED:

- Flashlight
- Nylon Trim Tool
- Torx T15 Screwdriver
- Wire Cutter
- 10mm Socket
- Ratchet

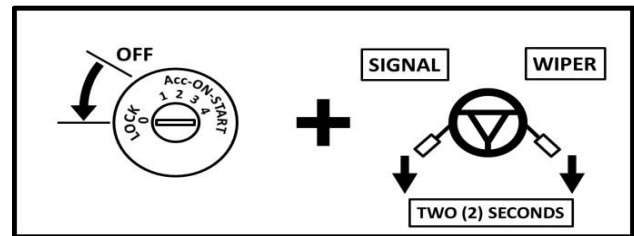
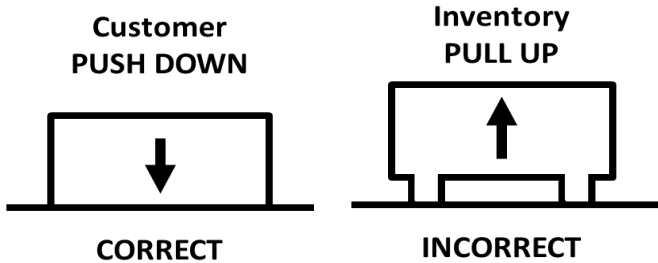
**Vehicle Preparation:**

**⚠ CAUTION**

- Always confirm the ignition is in the "OFF" position before changing the switch condition.

- 1) Apply parking brake
- 2) Confirm vehicle is not in the default shipping state or "Inventory position" as shown below. Failure to confirm vehicle has been removed from this state will result in loss of normal vehicle operation.
- 3) Locate Extended Storage Switch in cabin fuse block. Confirm it is in the "Customer" position. See below for reference.
  - a) To remove transit mode (Fuse Block):
    1. Remove fuse cover lid.
    2. Push down shorting pin.
    3. Ign On 2 times without starting the vehicle.
  - b) To remove transit mode (BCM):
    1. Confirm ignition switch is in "OFF" position.
    2. Simultaneously push the signal and wiper switch fully down for two (2) seconds.

**NOTE:** While in BCM Transit Mode, turn signal indicators will remain illuminated for one minute.



- c) To return to transit mode for storage:
  1. Ign Off.
  2. Remove fuse cover lid.
  3. Pull up shorting pin.
  4. Assemble fuse cover lid.
  5. Ign On 2 times without turn the vehicle on.
  6. Confirm transit mode condition on meter

**NOTE:** Typical vehicle condition shown above. Switch is easily identifiable by the permanent, push-pull fuse holder. Actual position on the fuse block may vary, vehicle to vehicle.

Condition	Switch Position	Note
Vehicle is delivered to the dealer	Inventory Condition	
Technician performs PDI	Customer Delivery	Return to Inventory position after PDI.
Customer test drives the vehicle	Customer Delivery	Return to Inventory position after test drive.
Vehicle is being stored at the dealer	Inventory Condition	
Vehicle is delivered to customer	Customer Delivery	

**NOTE:** The Extended Storage Switch is only an aid to improve battery life during vehicle storage at the dealer. If the Extended Storage Switch fuse ever needs service after vehicle delivery, discard the Extended Storage Switch and install the correct fuse in its place.

- 4) Turn ignition switch to "ON" position
- 5) Record the customer radio presets and other presets as required.

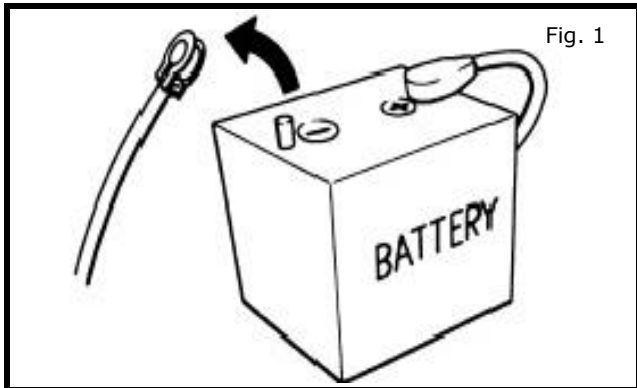
Preset	1	2	3	4	5	6		

- 6) Put shift lever in "P" position for A/T and CVT or "1st" for M/T
- 7) Turn ignition switch to "OFF" position
- 8) Use seat and floor protection.

**INSTALLATION PROCEDURE: PRE-INSTALLATION CAUTIONS / NOTES**

**⚠ CAUTION**

- Allow 3 min after key off and doors closed for vehicle to time out. Allow an additional 3 min after negative terminal dis-connect before separating any electrical connectors.



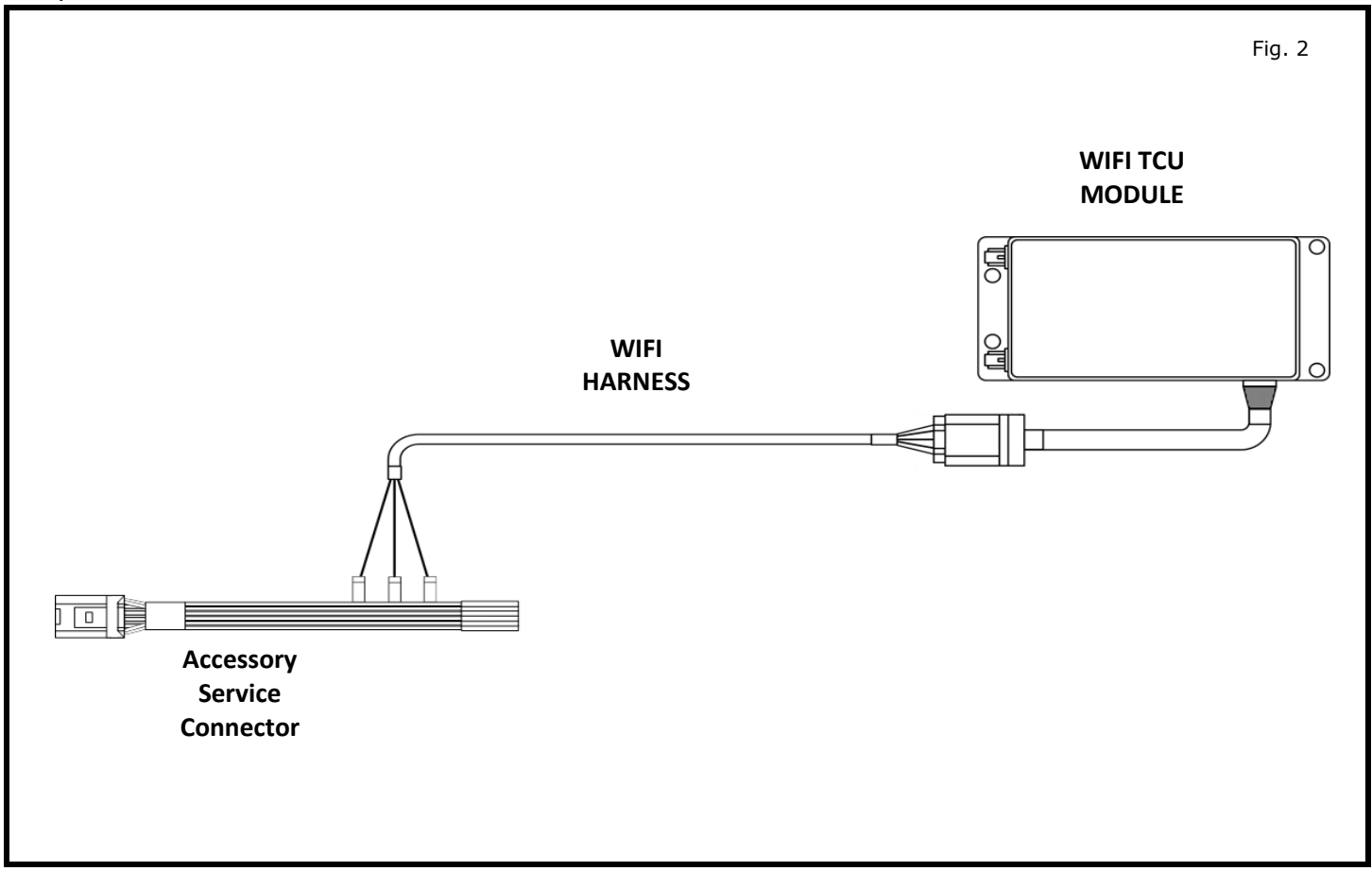
- 7) Disconnect the negative battery terminal on both batteries. See Fig. 1.
- 8) Use seat and floor protection.
- 9) This part is to be installed at surface temperature of 65-100° F.

**⚠ CAUTION**

- Take care not to scratch or damage any component during the removal or re-installation process.
- Trim pieces found to have witness marks or broken clips are not to be reinstalled.
- Additional items in cargo area may need to be removed.
- Always remove vehicle parts in the sequence they are shown, improper procedure can damage parts.
- Store removed parts in a safe and protected manner.

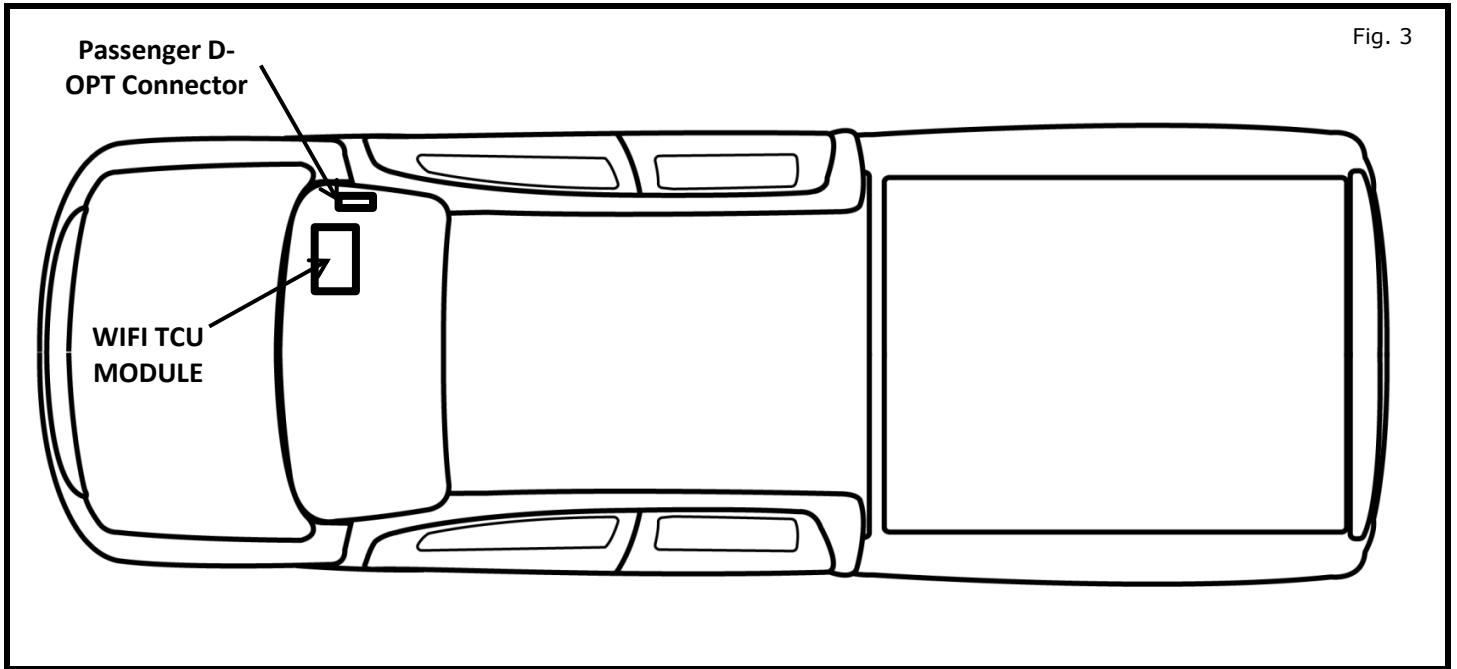
**INSTALLATION OVERVIEW:**

1.) SYSTEM



**INSTALLATION OVERVIEW:**

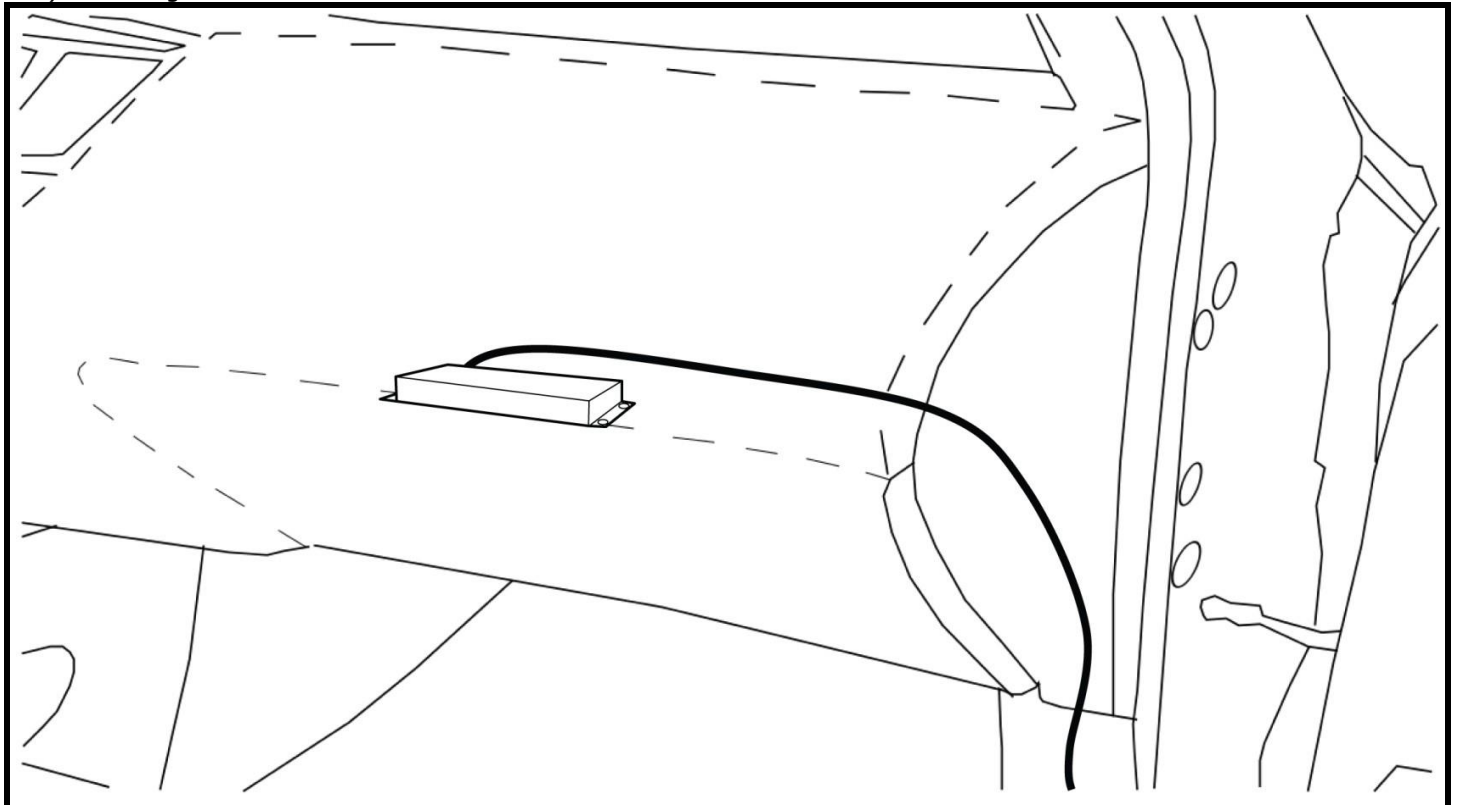
2.) VEHICLE



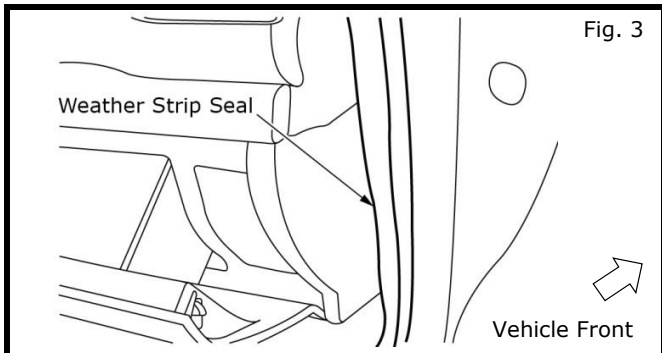
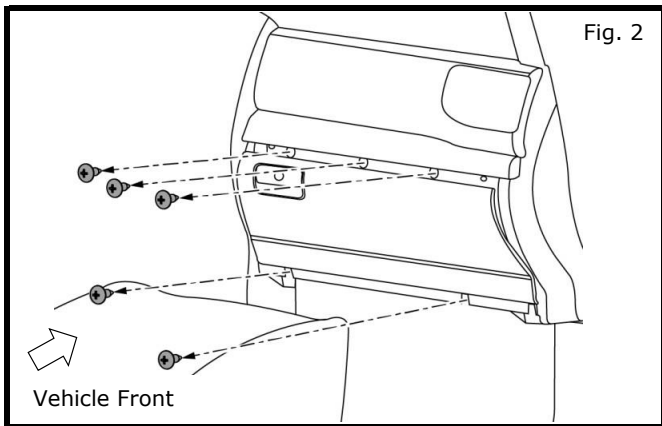
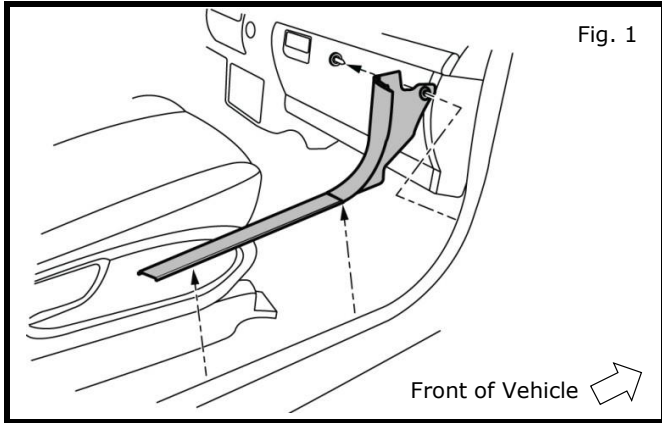
**CAUTION**

- Any description of vehicle wiring color is for reference only.
- Always refer to vehicle wiring diagram for details.

3) Routing



## INSTALLATION PROCEDURE: VEHICLE PARTS REMOVAL



- 1) Remove footwell trim panel.
  - a) Remove one push pin fastener from the outer footwell trim panel (RH). Use a trim stick to carefully pry out push pin and pull panel toward center of vehicle and rearward. Remove front trim panel.

**NOTE:**

**Be careful not to damage the clips on the trim panels.**

- b) Use trim stick to loosen front trim and sill trim. Remove from vehicle in one piece
- 2) Remove glove box.
  - a) Remove three screws inside glove box and two on bottom of glove box as shown.

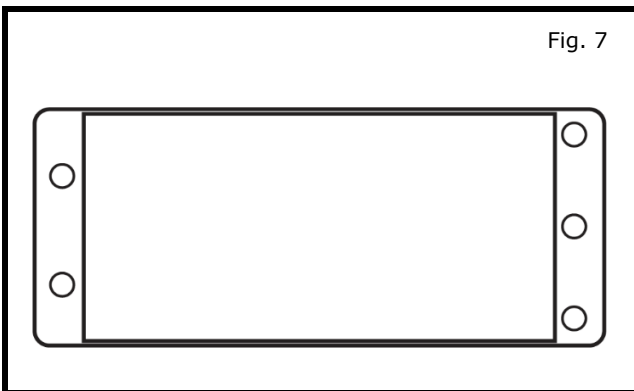
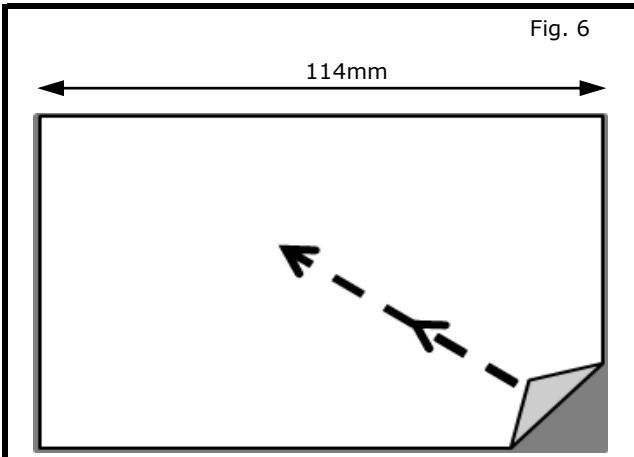
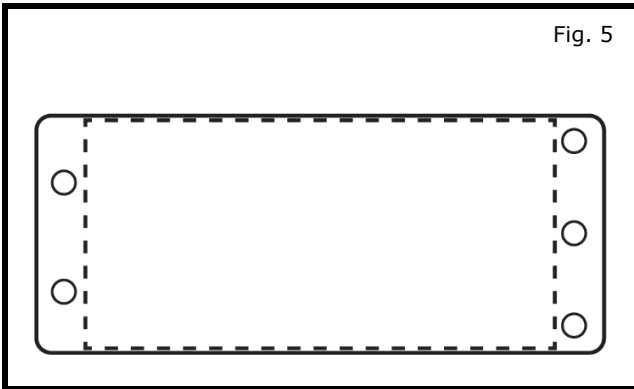
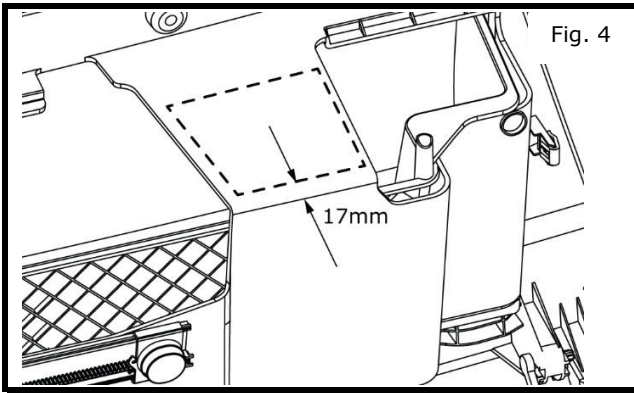
- b) Pull aside weather strip seal.

- c) Pull out glove box and disconnect lamp if equipped.

**NOTE:**

**Place glove box assembly on a protected work surface to avoid any scratches or damage.**

## INSTALLATION PROCEDURE: WIFI MODULE



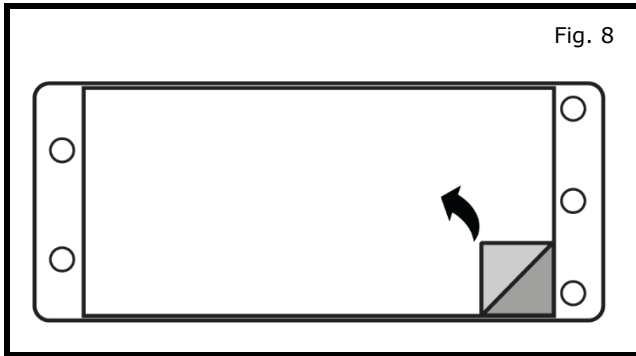
3) Prepping surface for mounting WiFi module.

- a) Clean glove box installation surface and WiFi base plate with an alcohol wipe. See Figures 4 and 5.

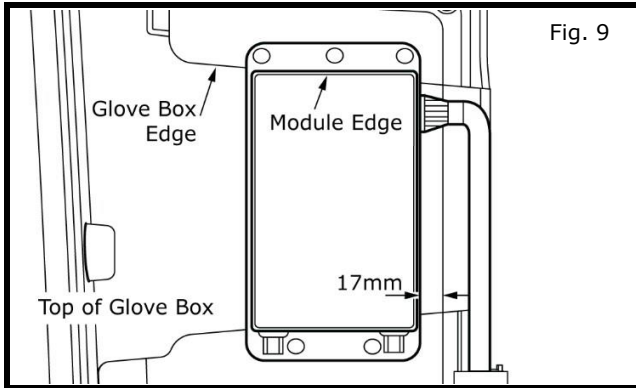
4) Module Installation

- a) Cut tape to 114mm in length.
- b) Peel tape liner off of adhesive square as shown in Fig. 6.
- c) Apply double sided tape to base plate of WiFi module as shown in Fig. 7.

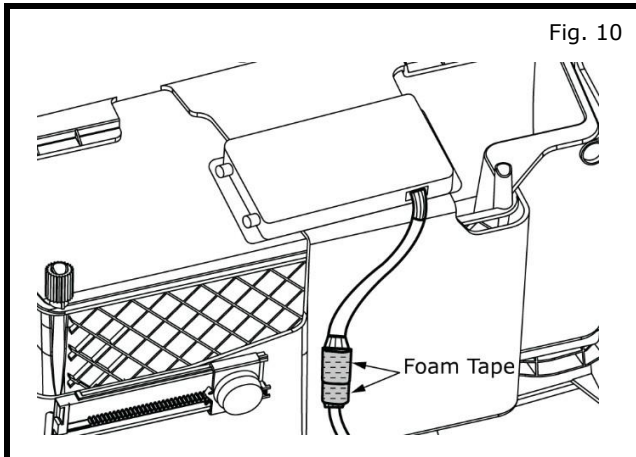
## INSTALLATION PROCEDURE: WIFI MODULE



- d) Peel tape liner from foam pad on module as shown in Fig. 8.



- e) Adhere module to top of glove box as shown in Fig. 9. Align edge of module to edge of glove box. Press WiFi module to glove box with 15lbs min. pressure.

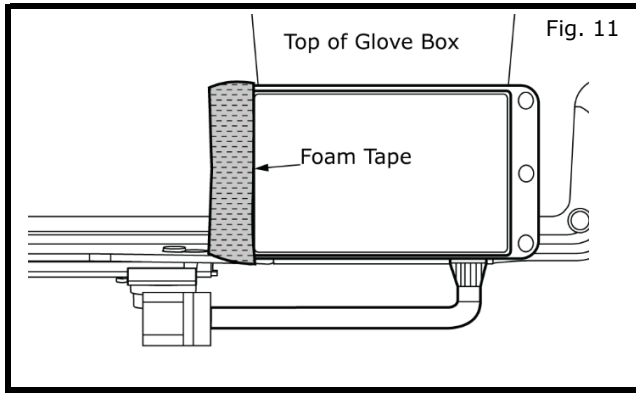


- 5) Connect WiFi harness to WiFi module pigtail.
- a) Attach WiFi harness to module pigtail.
- b) Wrap pigtail connector and harness connector in foam tape.

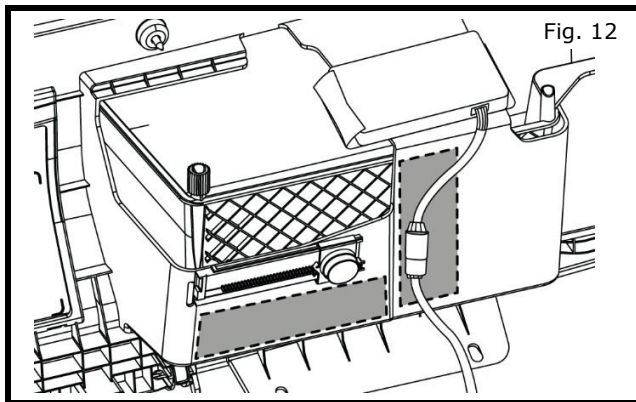
**NOTE:**

**Pigtail MUST be aligned by edge of glove box as shown. If connector is too far toward left side of vehicle, connector will interfere with heater duct.**

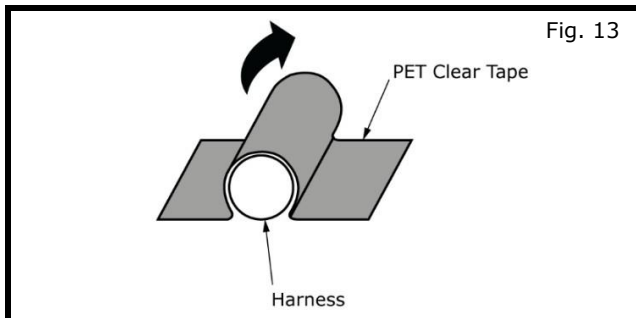
## INSTALLATION PROCEDURE: WIFI MODULE



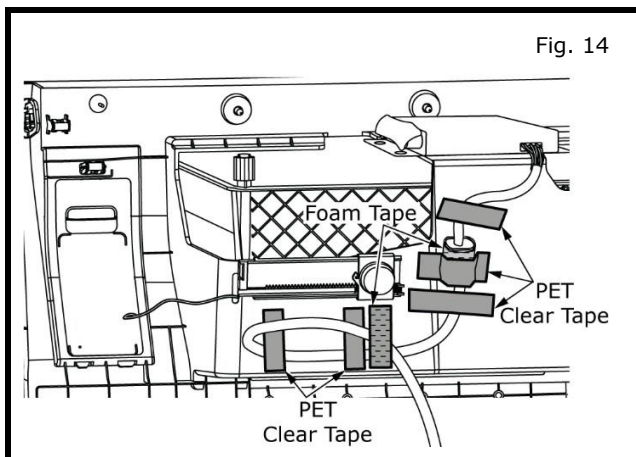
- 6) Place piece of foam tape over antenna connectors.



- 7) Prep surface for tape.
- a) Clean areas shown with alcohol wipe and allow to dry.



**NOTE:**  
When taping PET Clear tape to glove box, ensure it is wrapped up and over harness as shown.



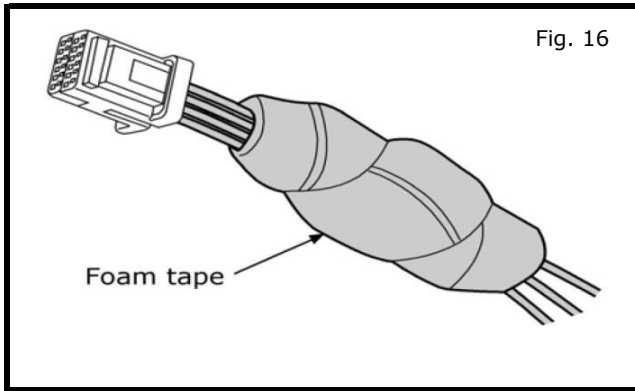
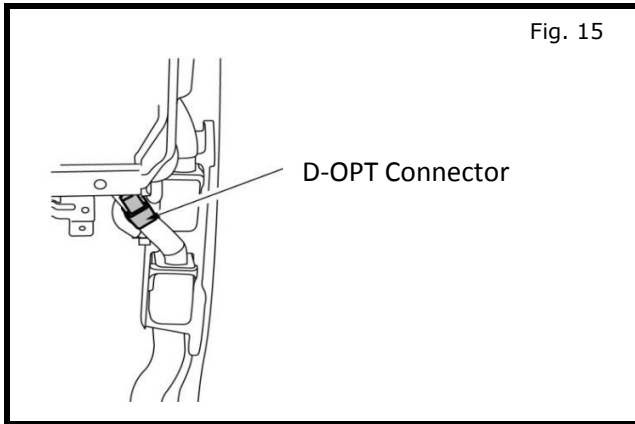
- 8) Securing harness.
- a) Put extra foam tape on connector once connected to avoid rattle.
- b) Tape harness in five spots as shown with PET Clear Tape.
- c) Add foam tape as needed for rattle.
- d) Make service loop as shown in Fig. 14 and secure with foam tape.

**NOTE:**

- Bottom tape points must not interfere with dampener.
- Pigtail **MUST** be aligned by edge of glove box as shown. If connector is too far toward left side of vehicle, connector will interfere with heater duct.



## INSTALLATION PROCEDURE: POSI-TAP

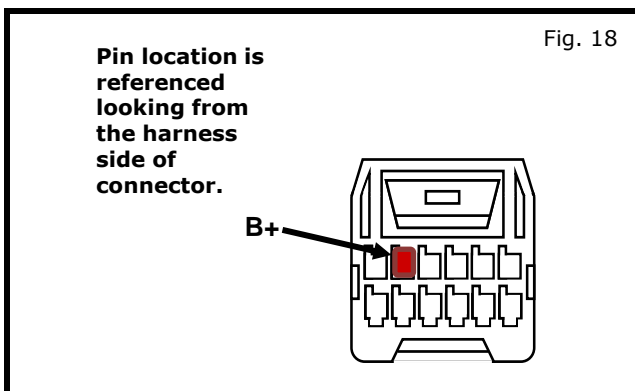


999Q9 AY001		
Pin	Label	Color
1	IGN	WHITE
2	BAT	RED
3	TL LMP	PURPLE
4	RM LMP	YELLOW
5	BATSVR	PINK
6	FR_DR_SW_RH	GREEN
7	FR_DR_SW_LH	LT GREEN
8	THRU SIGNAL 1	GREY
9	RR_DR_RH	BLUE
10	RR_DR_LH	LT BLUE
11	ACC	ORANGE
12	GND	BLACK

Fig. 17

Pin location is referenced looking from the harness side of connector.

1	2	3	4	5	6
7	8	9	10	11	12



- 9) Locating Passenger D-Opt Connector.
  - a) Locate Passenger D-Opt Connector behind the glove box on the right side of the footwell as shown in Fig. 15.

**NOTE:**

- If there is already an Accessory Service Connector in the passenger side read step 10, if not proceed to step 11.
- If there is not an Accessory Service Connector in the passenger side remove the dummy plug in connector.

- 10) Locating the Accessory Service Connector
  - a) If there is already an Accessory Service Connector in the passenger side remove it before continuing.
  - b) Remove any foam tape present before adding any positaps.

**NOTE:**

If there is not an Accessory Service Connector present in the passenger side connector order from service dept.

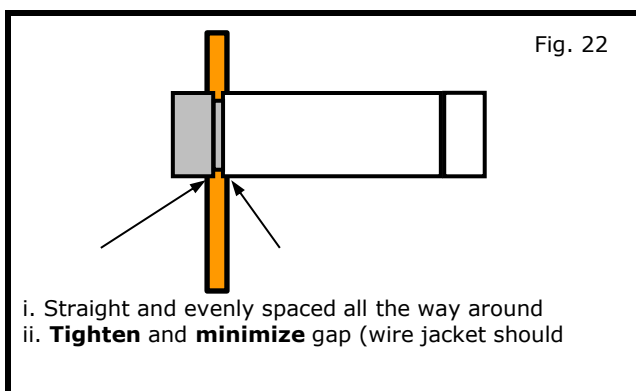
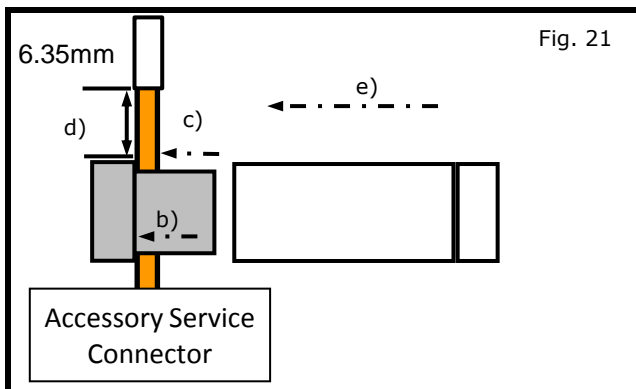
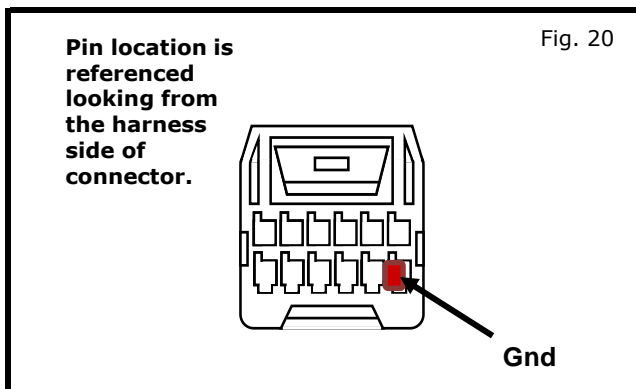
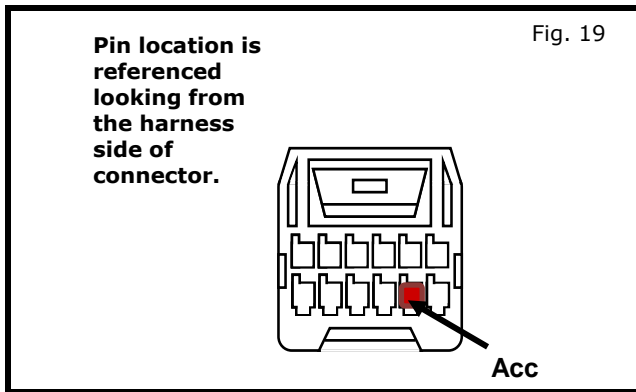
- 11) Accessory Service Connector Reference
  - a) Accessory Service Connector pin out is shown in Fig. 17.

**NOTE:**

- For direction on how to posi-tap refer to steps 15 through 25.
- For additional circuit information refer to the mech drawing at the end of the installation instructions.

- 12) Posi-tap B+
  - a) Tap **Red** wire on WiFi TCU Module harness to Red (B+) wire on Accessory Service Connector as shown.

## INSTALLATION PROCEDURE: POSI-TAP



- 13) Posi-tap ACC
- Tap **White** wire on the WiFi TCU Module harness to **Orange** (Acc) wire on the Accessory Service Connector as shown.

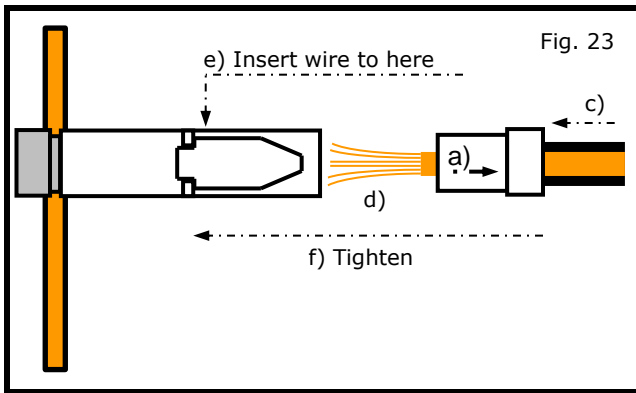
- 14) Pos-itap GND
- Tap **Black** wire on WiFi TCU Module harness to Black (Gnd) wire on Accessory Service Connector as shown.

**NOTE:**  
**Figures are not to scale.**

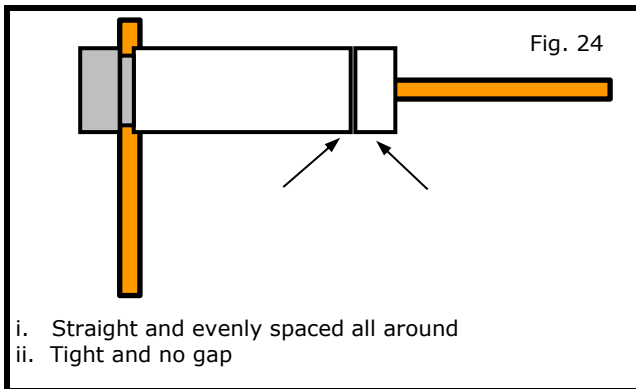
- 15) Posi-tapping an accessory service wire.
- Identify and confirm correct wire in the Accessory Service Connector to be tapped.
  - Remove cap (slot side) from tap body.
  - Slide cap around single accessory wire.
  - Position cap  $\geq 6.35\text{mm}$  (0.25in) away from heat shrink of Accessory Service Connector (measurement for first posi-tap installed on circuit).
  - Tighten tap **TIGHT** with finger pressure.
  - Tighten by another quarter turn.
- 16) Inspecting the tap for correct installation.
- Pull on wire lightly to ensure connection.
  - Inspect tap to ensure correct installation.
  - Test signal to ensure that it is working properly.

**NOTE:**  
**Avoid putting pressure on the vehicle wire and tap for the remainder of the installation.**

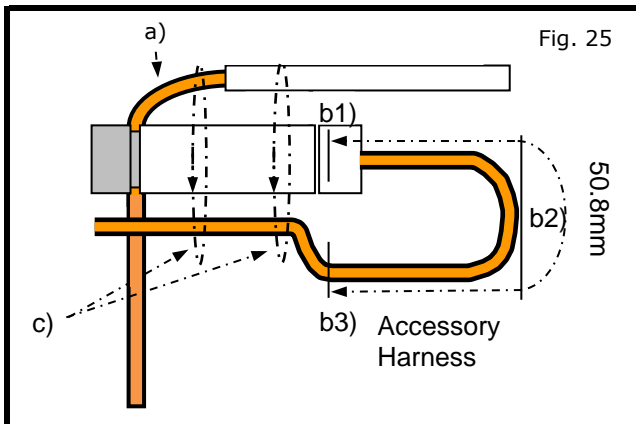
## INSTALLATION PROCEDURE: POSI-TAP



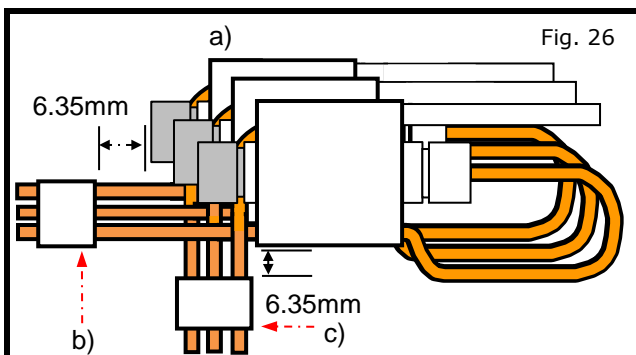
- 17) Tap accessory wire.
  - a) Remove tap (non-pierce) side from tap.
  - b) Remove protective stub from the wire.
  - c) Insert wire through non-pierce side opening.
  - d) Spread individual strands into fan shape.
  - e) Insert wire into tap body and ensure that it is all the way in.
  - f) Tighten tap **TIGHT** with finger pressure.
  - g) Tighten by another quarter turn.



- 18) Confirm the tapped accessory wire.
  - a) Pull on wire lightly to ensure connection.
  - b) Inspect tap to ensure correct installation as shown.

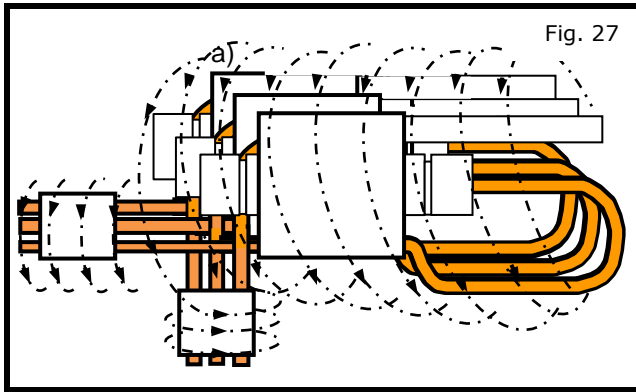


- 19) Forming strain relief loop - required.
  - a) Gently bend end of pierced wire (where it exits cap) down towards body of posi-tap.
  - b) On tapped wire of non-pierce side; starting at point b1), measure 50.8mm(2in) to point b3). Make first bend of loop b2), half distance measured 25.4mm(1in), and up toward body of posi-tap, make second bend of the loop b3).
  - c) Secure pierced wire on heat shrink side and tapped wire on non-pierce side to body of tap with electrical tape ( $\geq 2$  revolutions).



- 20) Securing multiple accessory taps.
  - a) Tapped accessories (wires already secured to tap bodies) are stacked slightly staggered on top of each other as shown in Fig a).
  - b) Tapped wires on the non-pierce side of all posi-taps are secured to each other with electrical tape ( $\geq 2$  revolutions) at a distance of  $\geq 6.35\text{mm}$ (0.25in) as shown in Fig b).
  - c) Pierced wires of first and subsequent posi-taps are secured to each other with electrical tape ( $\geq 2$  revolutions) at a distance of  $\geq 6.35\text{mm}$ (0.25in) as shown in Fig c).

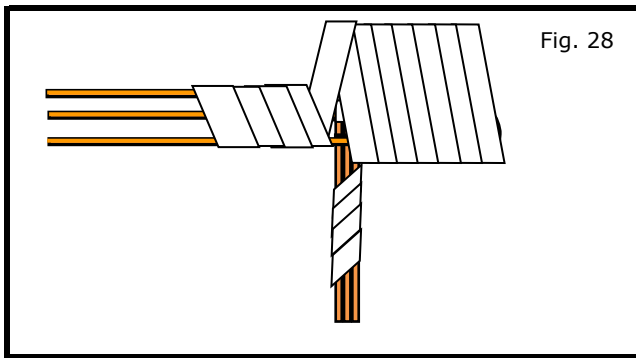
## INSTALLATION PROCEDURE: POSI-TAP



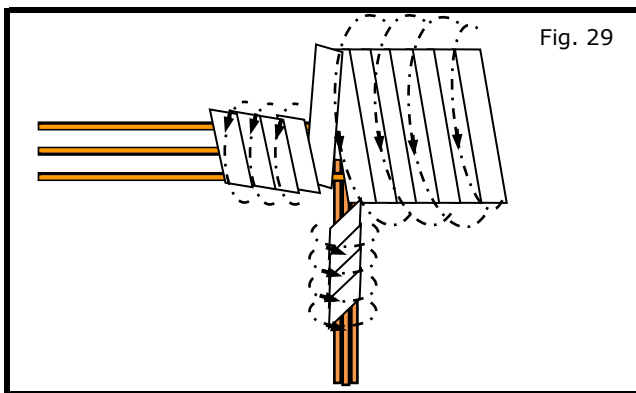
- 21) Pre- foam protective wrap
- a) Starting at heat shrink; firmly wrap posi-tap bundle with electrical tape or non-adhesive wire harness tape, making sure to overlap the previous revolution as shown.

### NOTE:

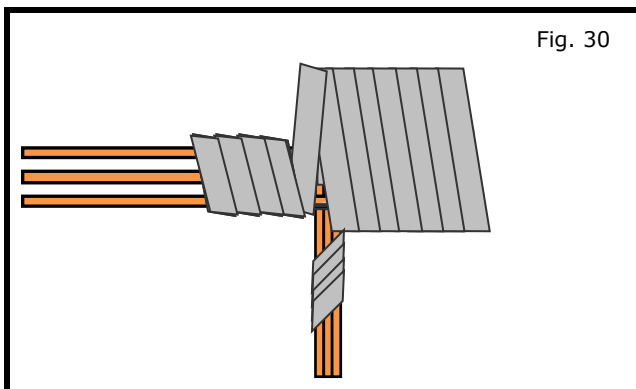
**If using a non adhesive tape to wrap the bundle, secure at both ends with  $\geq 2$  revolutions of adhesive electrical tape.**



- 22) Finished protective wrap
- a) Make sure finished wrap looks similar to Fig. 28.

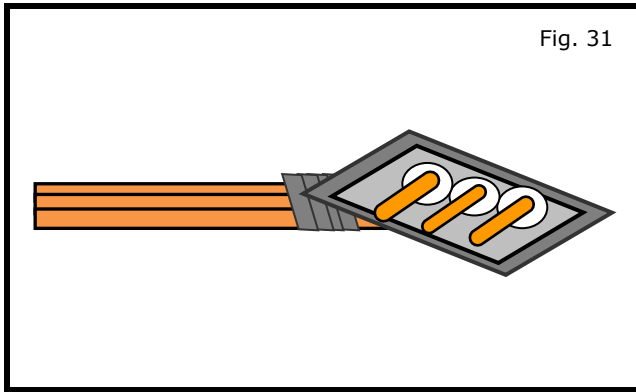


- 23) Foam wrap for posi-tap bundle (foam strips)
- a) Wrap posi-tap bundle with foam tape, following a pattern similar to electrical tape, making best use of foam strips provided as shown.



- 24) Finished foam wrap for bundle (strips-top view)
- a) Make sure the finished wrap looks similar to Fig. 30.

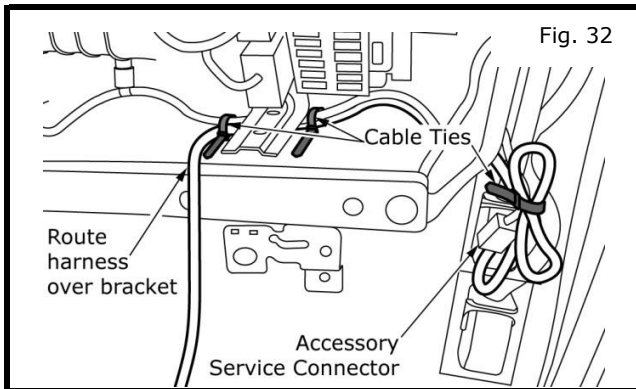
## INSTALLATION PROCEDURE: POSI-TAP



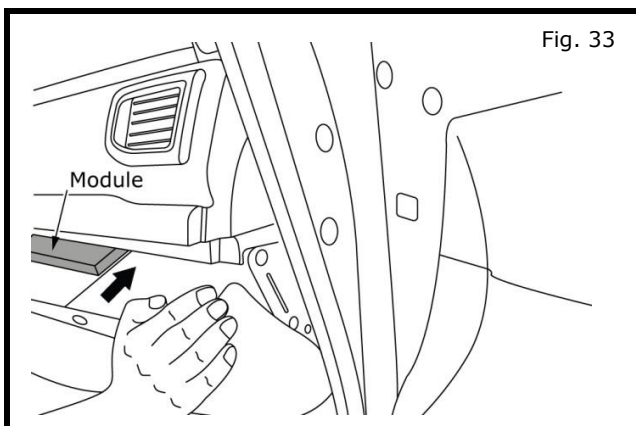
- 25) Finished foam wrap for bundle (strips-side view)
- Make sure the finished wrap looks similar to what is shown in Fig. 31.

### CAUTION

**This Accessory Service Connector is for use only with Genuine Nissan (or Infiniti) or Nissan (or Infiniti) approved accessories. Use of this connector with non Genuine Nissan (or Infiniti) or Nissan (or Infiniti) approved accessories or failure to follow the installation instructions for the connector contained in this package may result in damage to the accessory and/or your vehicle. Nissan (or Infiniti) is not liable for loss or damage due to improper installation or the installation of non Genuine or non approved accessories.**

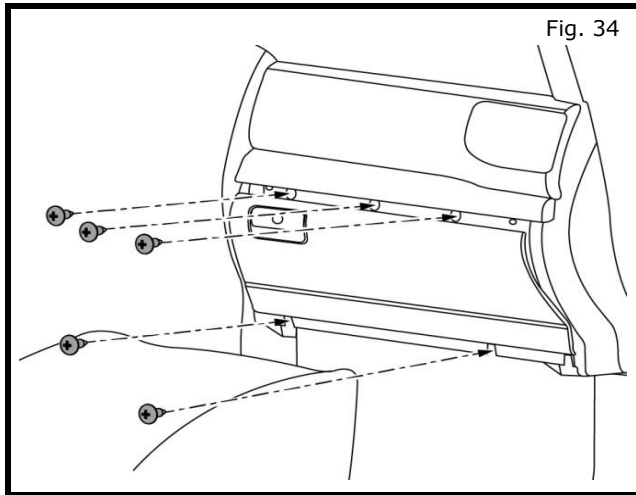


- 26) Route WiFi harness.
- Route WiFi harness over metal glove box reinforcement.
  - Secure WiFi harness to vehicle harness with three cable ties as shown in illustration.
  - Bunch excess harness at bottom and cable tie to existing vehicle harness.



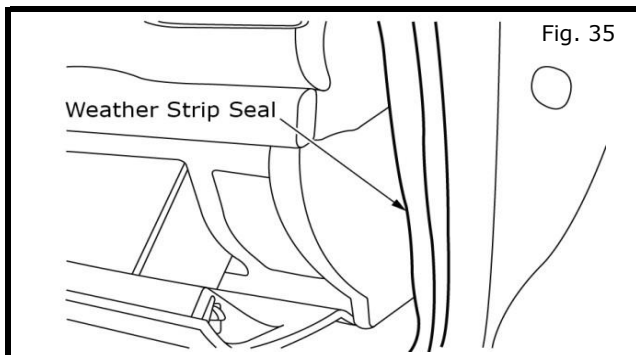
- 27) Reinstalling glove box with WiFi module.
- Carefully reinstall glove box. Be careful not to hit WiFi module on top of glove box metal reinforcement.

## INSTALLATION PROCEDURE: VEHICLE PARTS REINSTALLATION

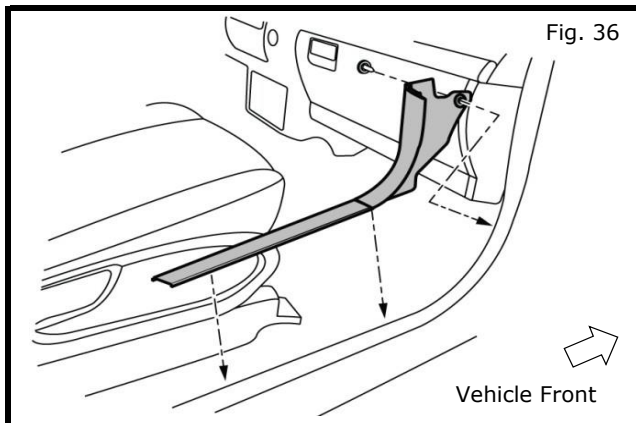


28) Reinstall three screws at top of glove box and two screws on bottom of glove box as shown.

29) Bunch excess harness at bottom and cable tie to existing vehicle harness.



30) Push back weather strip seal.



31) Reinstall footwell trim panel and fastener push pin.

## FINAL INSPECTION:

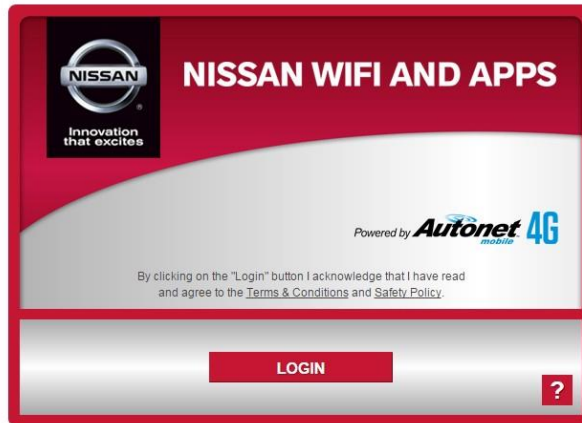
### CAUTION

**Use caution when re-installing interior components to avoid damage, scratches, or breaking of mounting clips. Refer to the vehicle service manual for more information.**

- Inspect the installation area for any debris.
- Make sure all trim clips are in their retainers and gently press the trim panels into place.
- Verify re-installed trim parts for proper flush fit (no gap, no waviness, etc.).
- Verify all clips are fully engaged and locked.
- Verify re-installed trim parts are free from cracks, scratches or stress marks.
- Verify vehicle headliner, seat, steering wheel, center console, floor carpets, etc. are not soiled.
- Verify interior and exterior is not damaged.
- Connect the battery negative terminal and tighten the nut to 5.4 N-m (47.8 lb-in).
- Turn ignition switch to "OFF". Wait 10 seconds, then switch to "ON".
- Turn ignition switch to "ON" and confirm proper operation of vehicle systems and verify:
- Re-program radio presets and other vehicle settings to the recorded settings.
  - Confirm proper audio function (AM, FM, SAT, CD and AUX).
  - That there are no new Diagnostic Trouble Codes.
  - Verify all windows and sunroof (if equipped), one touch operation and perform the reset procedure if necessary. Refer to the vehicle service manual for more details.
  - Power Back Door (If equipped). - Turn on the car, push and note if trunk opens.
  - Tail Lamp - Turn on headlamps; open glove box and note whether light goes on.
  - Start vehicle. Note whether vehicle starts.
- Front Sonar Module Connector - Turn on vehicle, put vehicle in 'Drive'. Move slowly towards a large object in front of the vehicle. Note whether alarm sounds.
- Rear Sonar Module Connector - Turn on vehicle, put vehicle in 'Reverse'. Move slowly towards a large object behind the vehicle. Note whether alarm sounds.
- Place the Owner Manual, Quick Reference Guide, and/or other Manual in the glove box.

## FINAL INSPECTION: CHECK OUT

- Turn your car to the ACC position to power up the WiFi module. Wait 3 minutes.
- Open your wireless network list and connect to "Autonet-XXXX" (The last 4 digits will be the last 4 digits of the WiFi serial number).
- Open your browser the following screen appears.



Autonet assumes no responsibility for the configurations, security, or data files on your wireless device resulting from connection to Autonet's network. Anti-virus, privacy, and security protection is the responsibility of the user.

Autonet Mobile recommends that the driver of this vehicle should not attempt to use this system while driving the vehicle.

Do not operate any function that takes your attention away from safely driving your vehicle. Any function that requires prolonged attention should be performed after coming to a complete stop. Always stop the vehicle in a safe location before performing these functions. Failure to do so may result in an accident.

Copyright © 2008 - 2015 Autonet Mobile, Inc. All Rights Reserved.

- Click the LOGIN button. If the following screen appears showing no signal while trying to log in there is insufficient cell tower signal. The vehicle may have to be moved outside for better reception.



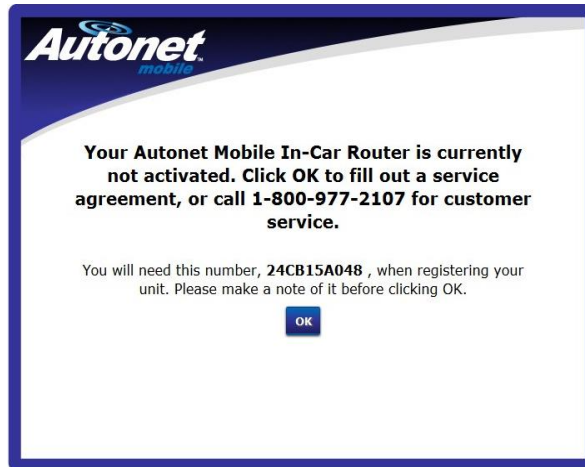
If you are unable to see the "Autonet-XXXX" in your wireless network list verify power is present to the WiFi module. If power is present and module still does not appear on the wireless network list call Autonet Mobile at 1-800-977-2107



## FINAL INSPECTION: CHECK OUT



After pressing the 'Login', the following window will open, the WiFi module is now in communication with the cell tower. Installation is complete.



The test verifies data communication via network/telecommunication as indicated by prompting the user to fill out a service agreement.

If the service agreement does not pop up this indicates that the Telecommunications (WiFi/network) failed. Contact Autonet Mobile at 1-800-977-2107



Place the Activation Guide, and glove box brochure in the glove box.

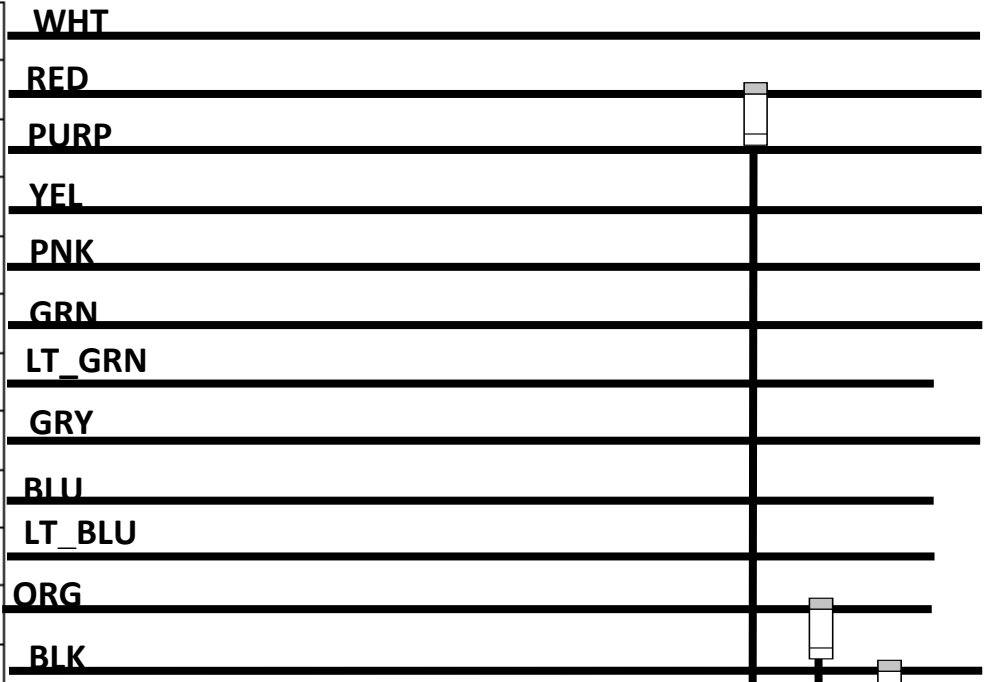
Posi-Tap™ is protected by patent # 5,228,875 5,695,369 5,868,589 6,692,313 Jap 2881414 Aus 708700 Tia 103534 Can 2204826 Mex 200626 Korea 477279 China Z197105562.9 & others pending.

# WiFi

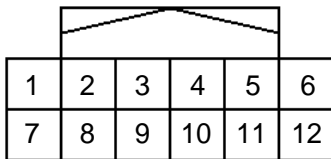
## PASSENGER SIDE

### ACCY\_SER\_CONN

IGN	1
BAT	2
TAIL_LAMP	3
ROOM_LAMP	4
BAT_SAVER	5
FR_DOOR_SW_RH	6
FR_DOOR_SW_LH	7
THRU_SIGNAL_1	8
RR_DOOR_RH	09
RR_DOOR_LH	10
ACC	11
GND	12

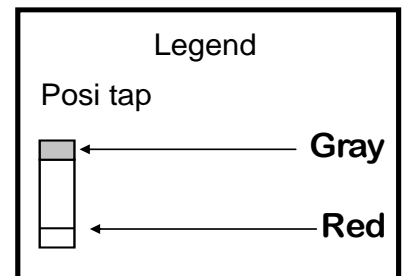


### TH12FW-NH



RED  
WHT  
BLK

**Note:** Pin location is referenced looking into wire side of connector.



## ⚠ CAUTION

This Accessory Service Connector is for use only with Genuine Nissan (or Infiniti) or Nissan (or Infiniti) approved accessories. Use of this connector with non Genuine Nissan (or Infiniti) or Nissan (or Infiniti) approved accessories or failure to follow installation instructions for connector contained in this package may result in damage to accessory and/or your vehicle. Nissan (or Infiniti) is not liable for loss or damage due to improper installation or the installation of non Genuine or non approved accessories.