



GENUINE PARTS

INSTALLATION INSTRUCTIONS

DESCRIPTION: Wi-Fi Router Kit, Nissan, Generic

APPLICATION: Nissan Armada

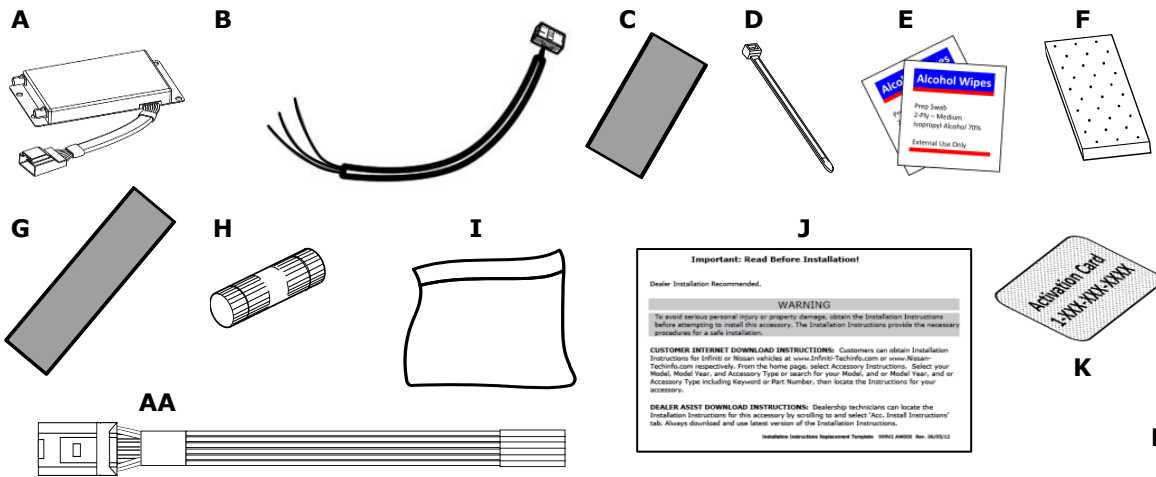
PART NUMBER: T99Q8 4RA0A

KIT CONTENTS:

| Item | Qty. | Part Description | Service Part Number |
|------|------|---|---------------------|
| A | 1 | Wi-Fi Router (TCU) Module Nissan | T98Q8 4RA0A |
| B | 1 | TCU Harness, 1100mm | T98Q8 4RA1A |
| C | 1 | Double Sided Tape, (140x70x2 mm) (LxWxH) | |
| D | 8 | Tie Wraps, 10 Inches | |
| E | 2 | Alcohol Prep Pads | |
| F | 8 | Single sided Tape, (3.5x1x0.25") (LxWxH inches) | |
| G | 5 | Single sided PET Clear Tape, (4x1x0.01") (LxWxH inches) | |
| H | 3 | Posi-tap connector | 999M1 VT000 |
| I | 1 | Plastic Parts Bag | |
| J | 1 | II Replacement Template | 999V2 AW000 |
| K | 1 | Activation Card | |
| L | 1 | Glove Box Brochure - Nissan | |

ITEMS NOT IN KIT THAT MAY BE REQUIRED

| Item | Qty. | Part Description | Service Part Number |
|------|------|--|---------------------|
| AA | 1 | Accessory Service Connector (NOT INCLUDED IN KIT) | 999Q9 AY001 |
| AB | 1 | Installation Instructions on Web | T99Q8 5ZW00 II |



Important: Read Before Installation!

Dealer Installation Recommended.

WARNING

To avoid serious personal injury or property damage, obtain the Installation Instructions before attempting to install this accessory. The Installation Instructions provide the necessary procedure for a safe installation.

CUSTOMER INTERNET DOWNLOAD INSTRUCTIONS: Customers can obtain Installation Instructions for Infiniti or Nissan vehicles at www.Infiniti-TechInfo.com or www.Nissan-TechInfo.com respectively. From the home page, select Accessory Instructions. Select your Model, Model Year, and Accessory Type or search for your Model, and/or Model Year, and/or Accessory Type including Keyword or Part Number. Then locate the Instructions for your accessory.

DEALER ASSIST DOWNLOAD INSTRUCTIONS: Dealership technicians can locate the Installation Instructions for this accessory by scrolling to and select "Acc. Install Instructions" tab. Always download and use latest version of the Installation Instructions.

Installation Instructions Replacement Template: 099Q2 4R000 Rev. 04/05/16

ABOUT THESE SERVICES
What are these services?
The new Wi-Fi and app services for connected vehicles.
INTERNET ACCESS: Your vehicle becomes a Wi-Fi hot spot offering bandwidth and internet access for up to 8 Wi-Fi enabled devices.
SAFETY NOTICE: This vehicle can send and receive data. Please do not use in areas where prohibited, such as Cellular, Air, Flight, etc. See your local laws and regulations for more details.

ACTIVATE SERVICES
How to sign up for services?
Visit www.nissanusa.com/connected to register your information, then scan the QR code and activate services.

©2016 Nissan North America, Inc. All rights reserved. All trademarks are the property of their respective owners. Nissan, the Nissan Brand logo, and the Nissan emblem are registered trademarks of Nissan North America, Inc. All other trademarks are the property of their respective owners.

Note: 1 or 2 ASC (Accessory Service Connector) may already be installed in the vehicle.

TOOLS REQUIRED:

- 10mm socket
- Ratchet
- T20 Torx Screwdriver
- Flashlight
- Nylon Trim Tool

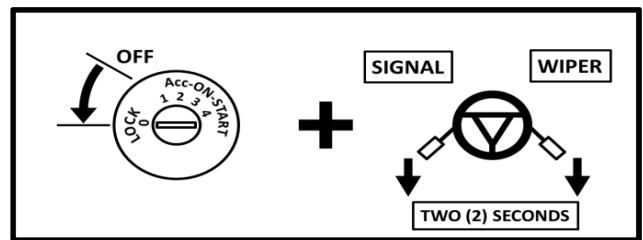
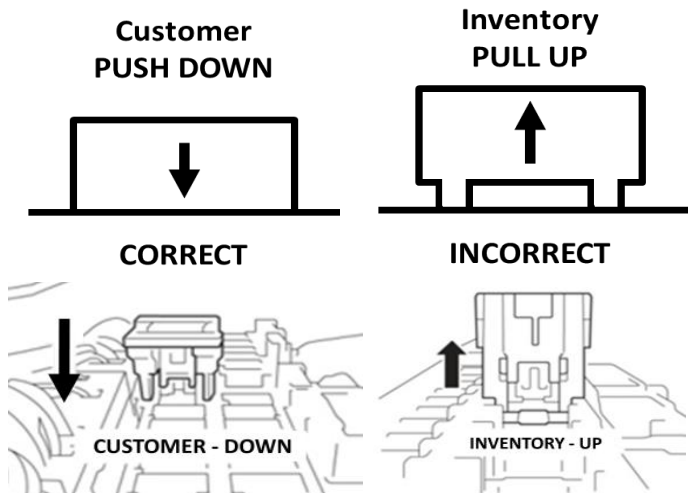
Vehicle Preparation:

⚠ CAUTION

• Always confirm the ignition is in the "OFF" position before changing the switch condition.

- 1) Apply parking brake
- 2) Confirm vehicle is not in the default shipping state or "Inventory position" as shown below. Failure to confirm vehicle has been removed from this state will result in loss of normal vehicle operation.
- 3) Locate Extended Storage Switch in cabin fuse block. Confirm it is in the "Customer" position. See below for reference.
 - a) To remove transit mode (Fuse Block):
 1. Remove fuse cover lid.
 2. Push down shorting pin.
 3. Ign On 2 times without starting the vehicle.
 - b) To remove transit mode (BCM):
 1. Confirm ignition switch is in "OFF" position.
 2. Simultaneously push the signal and wiper switch fully down for two (2) seconds.

NOTE: While in BCM Transit Mode, turn signal indicators will remain illuminated for one minute.



- c) To return to transit mode for storage:
 1. Ign Off.
 2. Remove fuse cover lid.
 3. Pull up shorting pin.
 4. Assemble fuse cover lid.
 5. Ign On 2 times without turn the vehicle on.
 6. Confirm transit mode condition on meter

NOTE: Typical vehicle condition shown above. Switch is easily identifiable by the permanent, push-pull fuse holder. Actual position on the fuse block may vary, vehicle to vehicle.

| Condition | Switch Position | Note |
|---------------------------------------|---------------------|--|
| Vehicle is delivered to the dealer | Inventory Condition | |
| Technician performs PDI | Customer Delivery | Return to Inventory position after PDI. |
| Customer test drives the vehicle | Customer Delivery | Return to Inventory position after test drive. |
| Vehicle is being stored at the dealer | Inventory Condition | |
| Vehicle is delivered to customer | Customer Delivery | |

NOTE: The Extended Storage Switch is only an aid to improve battery life during vehicle storage at the dealer. If the Extended Storage Switch fuse ever needs service after vehicle delivery, discard the Extended Storage Switch and install the correct fuse in its place.

- 4) Turn ignition switch to "ON" position
- 5) Record the customer radio presets and other presets as required.

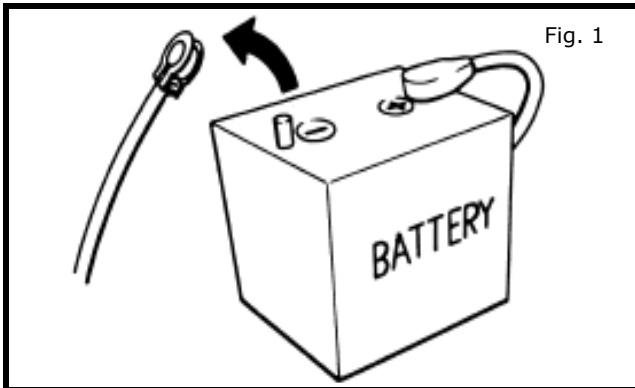
| Preset | 1 | 2 | 3 | 4 | 5 | 6 | | |
|--------|---|---|---|---|---|---|--|--|
| | | | | | | | | |
| | | | | | | | | |
| | | | | | | | | |

- 6) Put shift lever in "P" position for A/T and CVT or "1st" for M/T
- 7) Turn ignition switch to "OFF" position
- 8) Use seat and floor protection.

INSTALLATION PROCEDURE: PRE-INSTALLATION CAUTIONS / NOTES

⚠ CAUTION

- Allow 3 min after key off and doors closed for vehicle to time out. Allow an additional 3 min after negative terminal dis-connect before separating any electrical connectors.

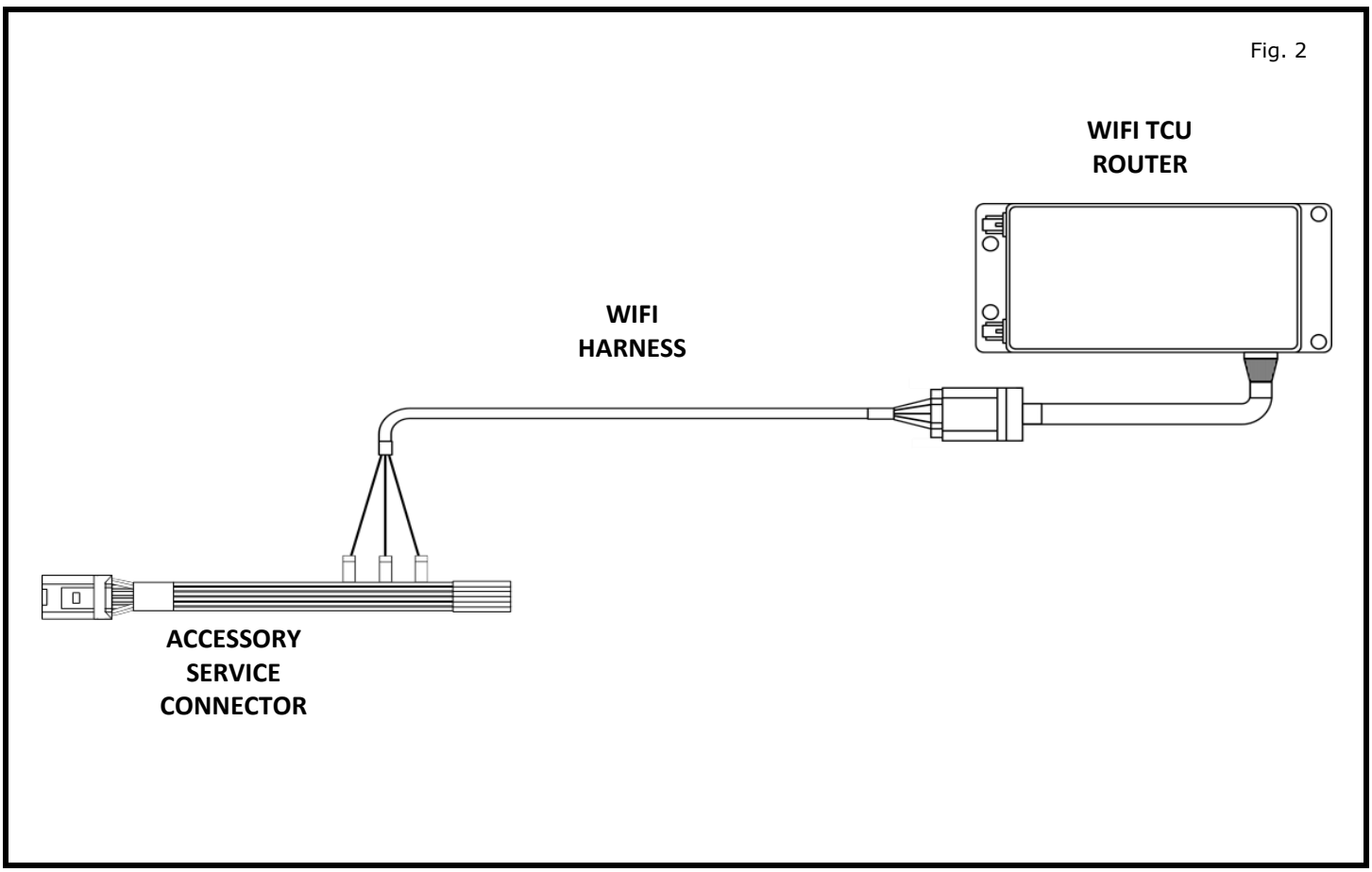


- 1) Disconnect the negative battery terminal. See Fig. 1.
- 2) Use seat and floor protection.
- 3) This part is to be installed at surface temperature of 65-100° F.

⚠ CAUTION

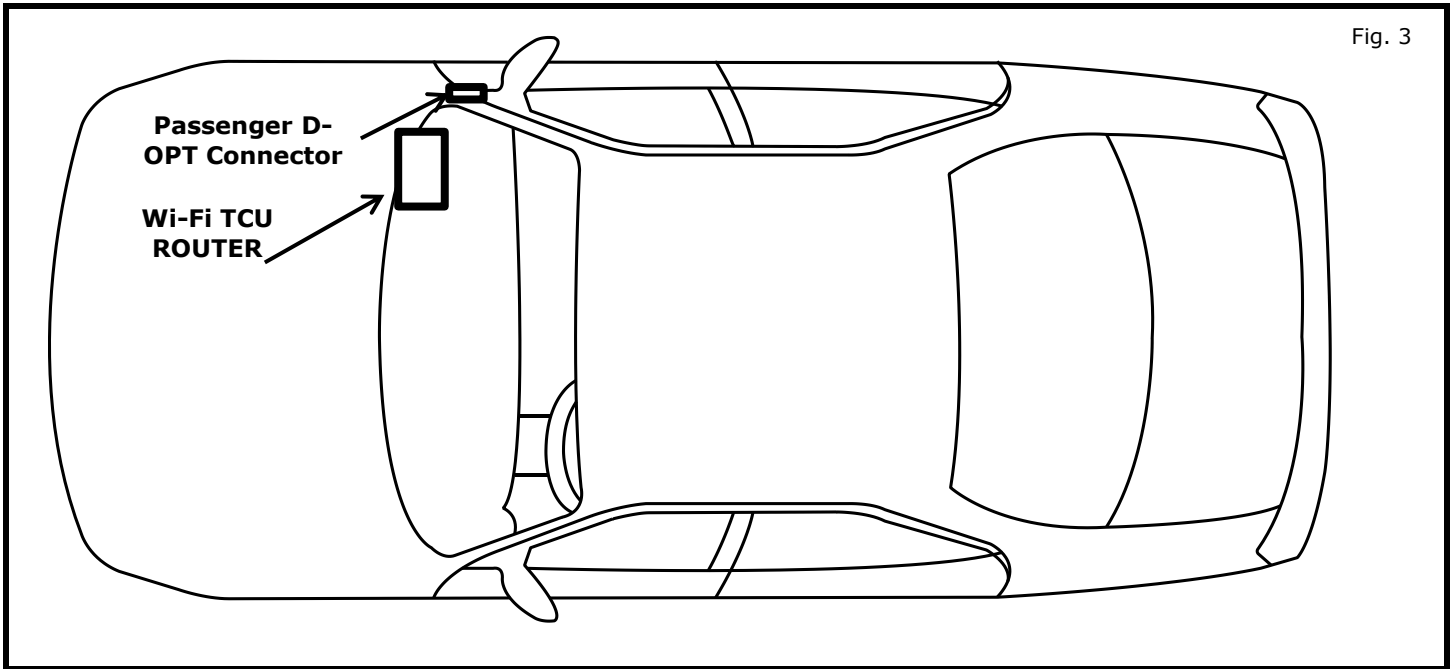
- Take care not to scratch or damage any component during the removal or re-installation process.
- Trim pieces found to have witness marks or broken clips are not to be reinstalled.
- Additional items in cargo area may need to be removed.
- Always remove vehicle parts in the sequence they are shown, improper procedure can damage parts.
- Store removed parts in a safe and protected manner.

INSTALLATION OVERVIEW: SYSTEM



INSTALLATION OVERVIEW:

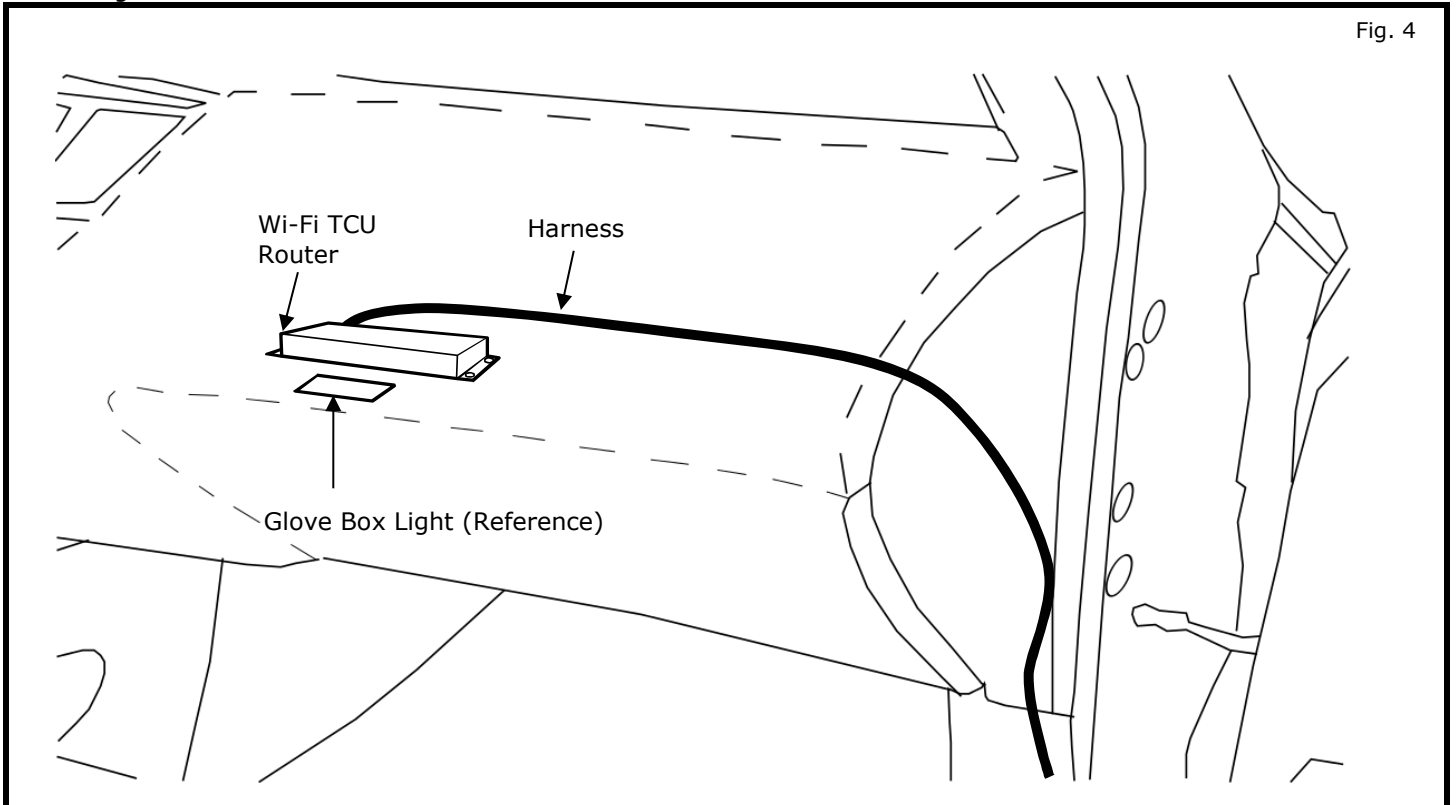
VEHICLE



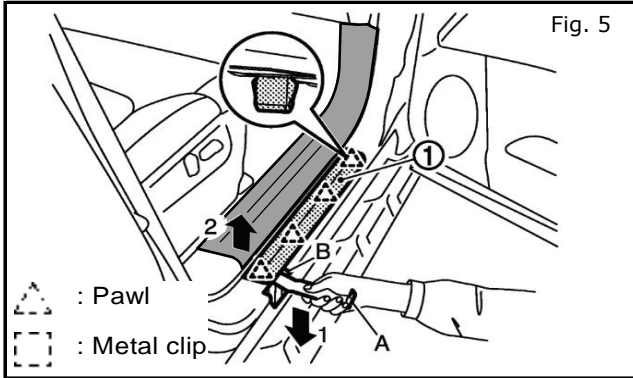
⚠ CAUTION

- Any description of vehicle wiring color is for reference only.
- Always refer to vehicle wiring diagram for details.

Routing



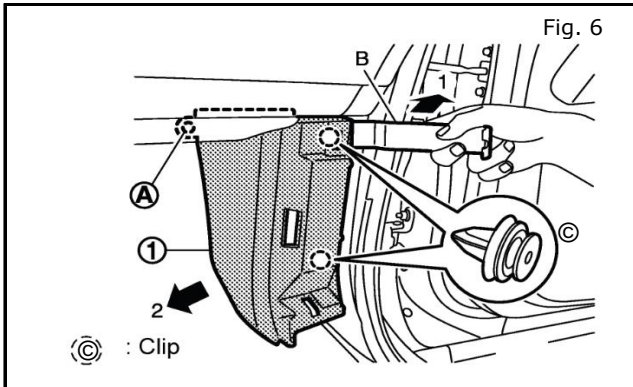
INSTALLATION PROCEDURE:



- 1) Remove front kick plate inner. (Figure 5)
 - a) Disengage all front kicking plate inner fixing pawls and metal clips using remover tool (A) as shown in actions (1-2), then remove front kick plate inner trim panel.

⚠ CAUTION

- Apply protective tape (B) to the body panel to protect from damage.



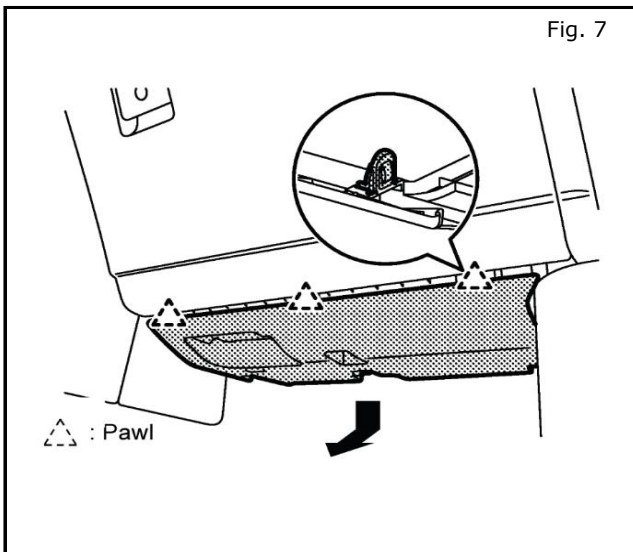
- 2) Remove dash side finisher panel. (Figure 6)
 - a) Disengage dash side finisher panel (1). Remove fixing screw (A), and both push clips © using remover tool (B) as shown.
 - b) Remove dash side finisher panel.

⚠ WARNING

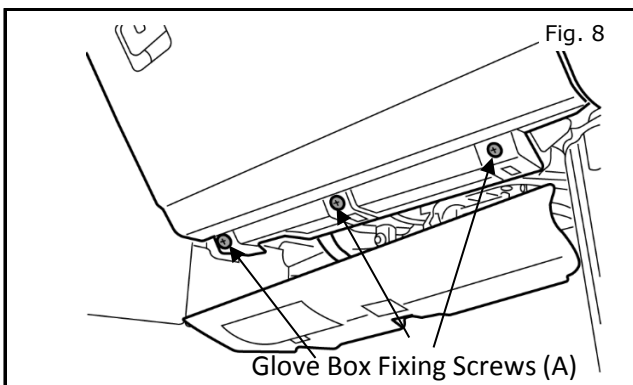
- Before servicing, turn ignition switch OFF, disconnect battery negative terminal, and wait 3 minutes or more.

⚠ CAUTION

- When removing, always use a remover tool that is made of plastic.

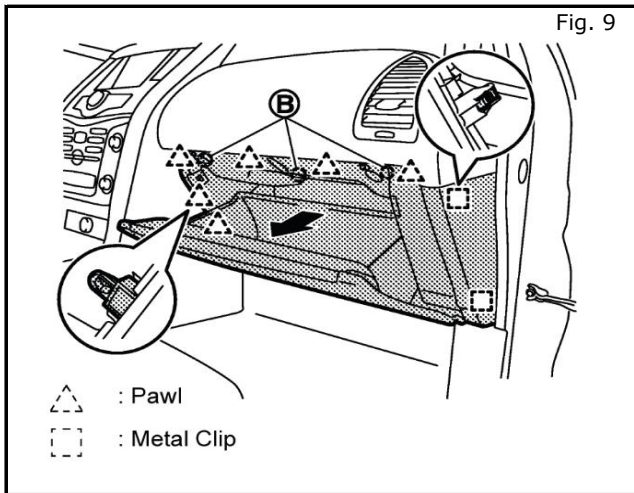


- 3) Loosen lower IP trim panel under glovebox. (Figure 7)
 - a) Using trim removal tool, disengage pawls.
 - b) Pull down instrument lower panel cover. Do not disconnect any electrical connectors. Allow the panel to dangle below the glovebox. (Figure 8)

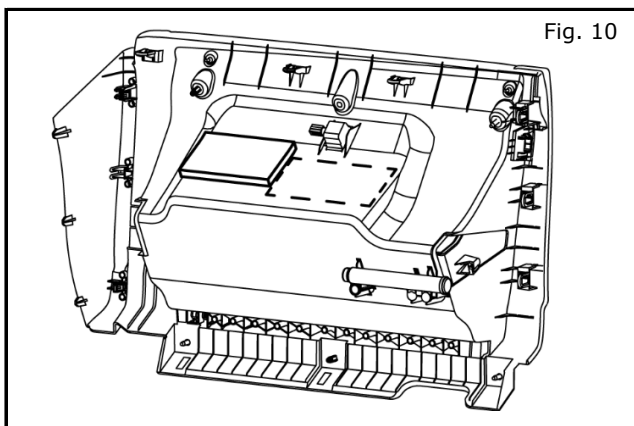


- 4) Remove glove box assembly. (Figure 8)
 - a) Remove three glove box assembly fixing screws (A) using T20 torx driver.
 - b) Open glove box lid.

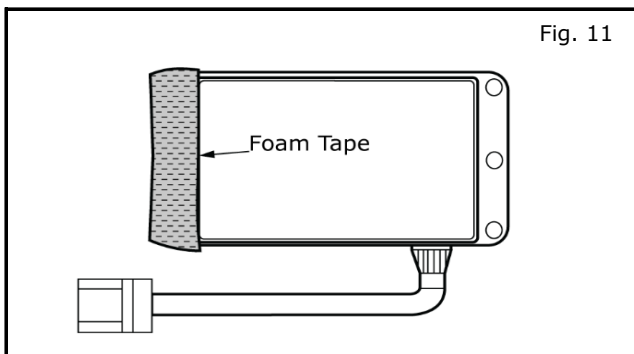
INSTALLATION PROCEDURE:



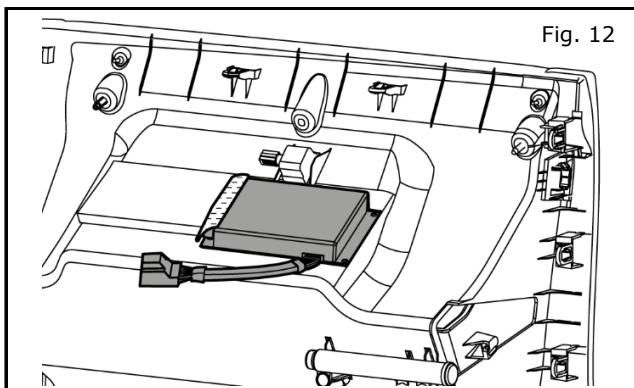
- c) Remove three glove box assembly fixing screws (B) using T20 Torx driver.
- d) Pull back glove box assembly.
- e) Disconnect harness connector.



- 5) Locate Wi-Fi module in front of glovebox lamp and inboard of protective felt insulation as shown in Fig. 10. Wiring pigtail shall come off forward side of module Fig. 12.

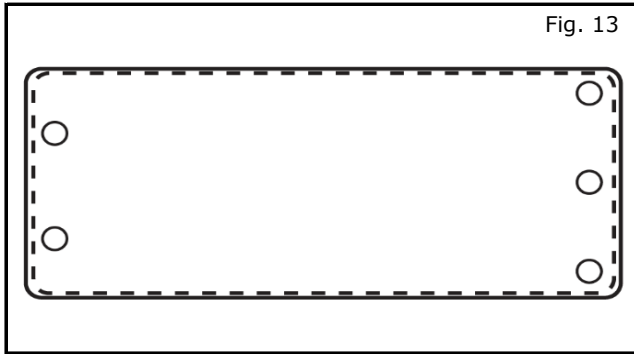


- 6) Cover unused Wi-Fi external antennas with single sided (3.5x1x0.25") (LxWxH inches) foam tape.

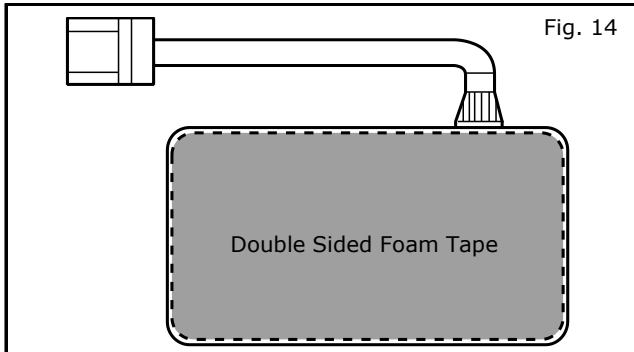


- 7) Line up non-antenna side of router even with glove box edge.

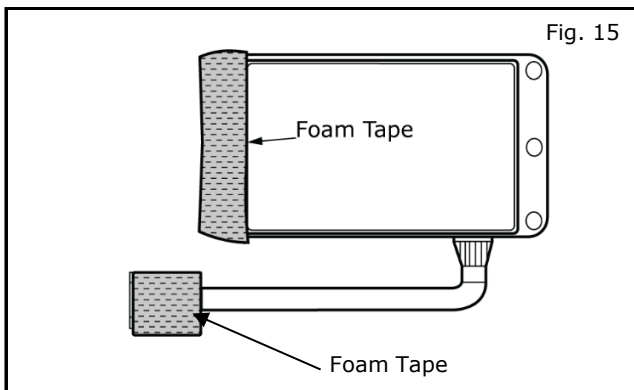
INSTALLATION PROCEDURE:



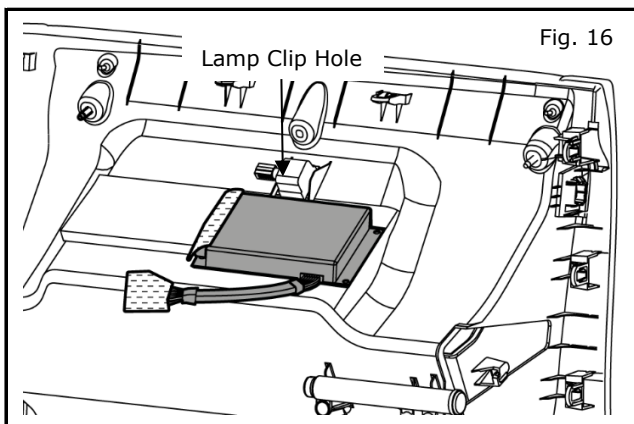
8) Clean router bottom with alcohol wipe. (Figure 13)



9) Attach double sided foam tape, (140x70x2 mm) (LxWxH) to router bottom aligning tape to bottom of router. (Figure 14)

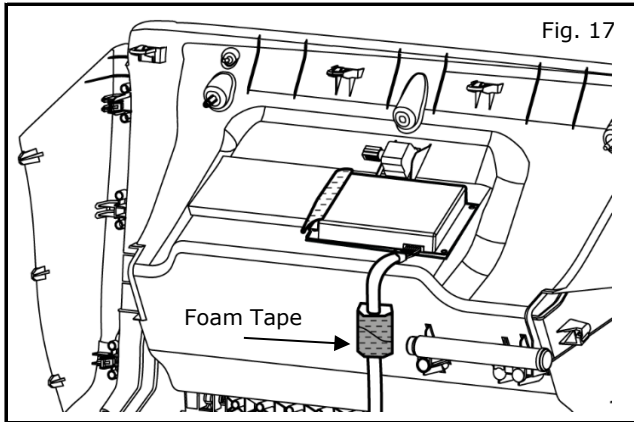


10) Attach a piece of single sided (3.5x1x0.25") (LxWxH inches) foam tape to router pigtail connector. (Figure 15)

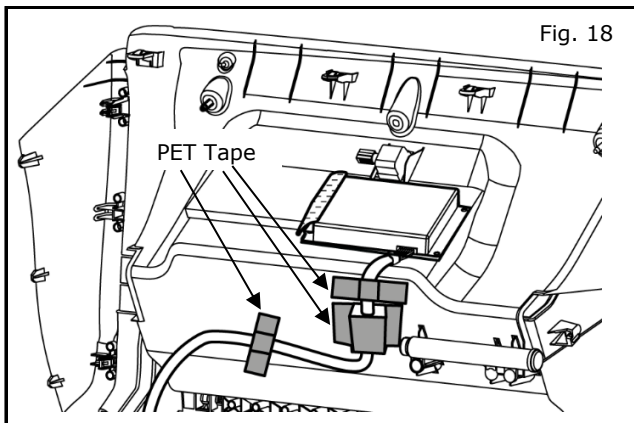


11) Position router between back edge of glove box and edge of glove box lamp clip hole as shown. (Figure 16)

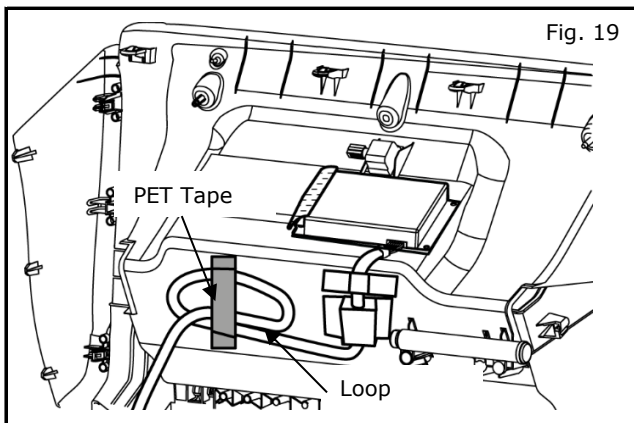
INSTALLATION PROCEDURE:



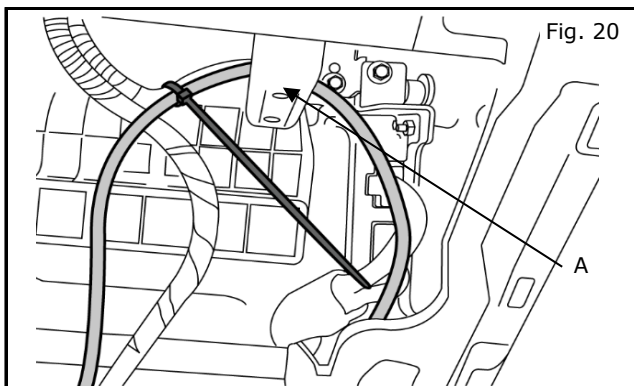
- 12) Attach harness to pigtail and foam wrap entire connector with a piece of single sided (3.5x1x0.25") (LxWxH inches) foam tape. (Figure 17)



- 13) Tape pigtail harness to glove box in 3 places using single sided PET (4x1x0.01") (LxWxH inches) clear tape. (Figure 18)

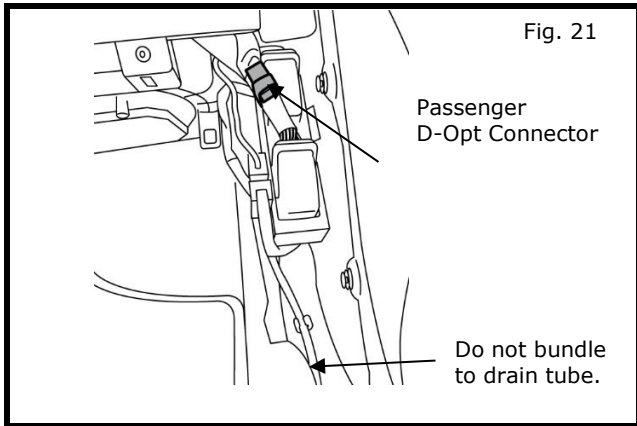


- 14) Create service **loop, in wire harness**, and secure to vertical side of glovebox using PET tape as shown. (Figure 19)



- 15) Route WiFi harness to Passenger side D-Opt connector.
- 16) Route over Bracket (A) as shown. Cable tie to W/H. (Figure 20) Cut unused cable tie end off.

INSTALLATION PROCEDURE: VEHICLE PARTS REMOVAL



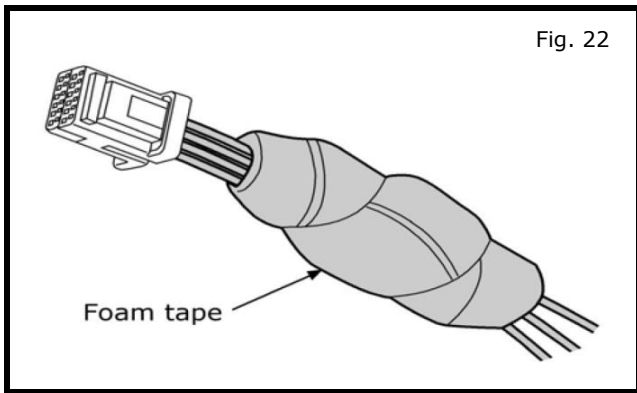
- 17) Locating the Passenger D-OPT connector
- Locate passenger side Dealer Option (D-OPT) Connector behind glove box on right side of foot well as shown. (Figure 21)

CAUTION

• Do not bundle any wiring to the drain tube.

Note:

If there's already an ASC on the passenger side go to step 18, if not remove and discard the dummy plug shipped within that D-opt connector and proceed directly to step 19.



- 18) Locating (ASC) Accessory Service Connector:
- If there is already an Accessory Service Connector in the passenger side disconnect it, at the D-OPT inline before continuing.
 - Remove any foam tape present before adding any new Posi-Taps as shown. (Figure 22)

| 999Q9 AY001 | | |
|-------------|---------------|----------|
| Pin | Label | Color |
| 1 | IGN | WHITE |
| 2 | BAT | RED |
| 3 | TL LMP | PURPLE |
| 4 | RM LMP | YELLOW |
| 5 | BATSVR | PINK |
| 6 | FR DR SW RH | GREEN |
| 7 | FR DR SW LH | LT GREEN |
| 8 | THRU SIGNAL 1 | GREY |
| 9 | RR DR RH | BLUE |
| 10 | RR DR LH | LT BLUE |
| 11 | ACC | ORANGE |
| 12 | GND | BLACK |

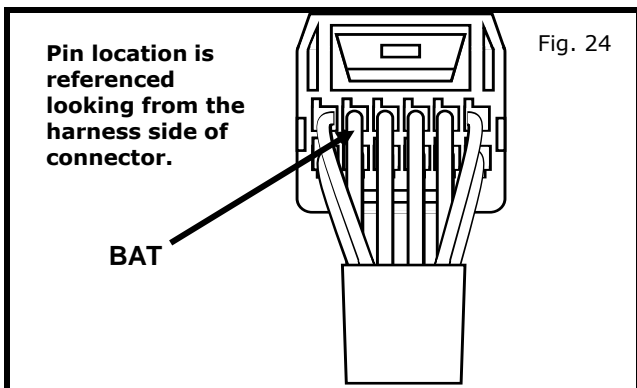
- 19) **Note:** If there isn't an Accessory Service Connector already present in the passenger side, order part (999Q9 AY001) from Nissan parts.

Accessory Service Connector Reference

- The Accessory Service Connector pin out is shown. (Figure 23)

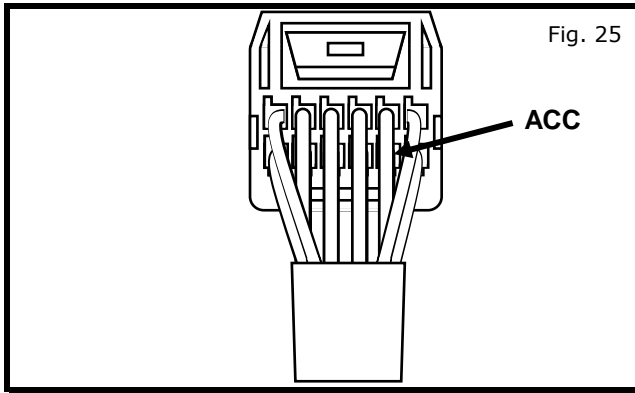
Notes:

- For directions on how to Posi-tap refer to steps 23-through-33.
- For additional circuit information refer to the mech drawing at the end of these installation instructions.

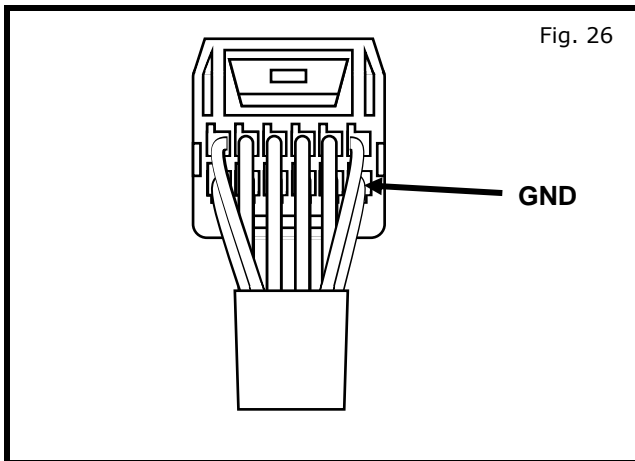


- 20) Posi-Tap BAT
- Posi-Tap the **Red** wire from the Wi-Fi TCU Module harness into the **Red** (BAT) wire on the Accessory Service Connector (pin#2). (Figure 24)

INSTALLATION PROCEDURE: POSI-TAP



- 21) Posi-Tap ACC
- Posi-Tap the **White** wire from the Wi-Fi TCU Module harness into the **Orange (ACC)** wire on Accessory Service Connector (pin#11). (Figure 25)



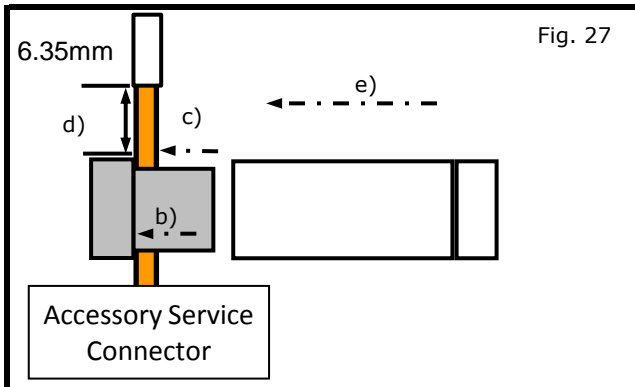
- 22) Posi-Tap GND
- Posi-Tap the **Black** wire from the Wi-Fi TCU Module harness into the **Black (GND)** wire on Accessory Service Connector (pin#12). (Figure 26)

NOTE:

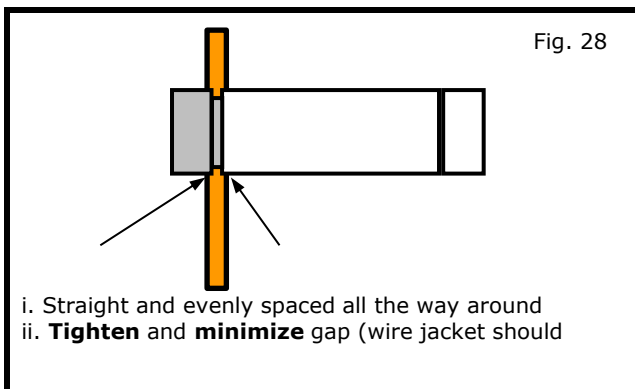
Figures are not to scale.

CAUTION

- Be sure to connect the ASC inline connector into D-OPT vehicle side connector when your finished with all wiring modifications .



- 23) Posi-tapping Accessory Service wire (Fig. 27)
- Identify and confirm correct wire in Accessory Service Connector to be tapped.
 - Remove cap (slot side) from tap body.
 - Slide cap around single accessory wire.
 - Position cap $\geq 6.35\text{mm}(0.25\text{in})$ away from heat shrink end of Accessory Service Connector (measurement for first Posi-tap installed on circuit).
 - Tighten the tap **TIGHT** with finger pressure.
 - Tighten by another quarter turn.

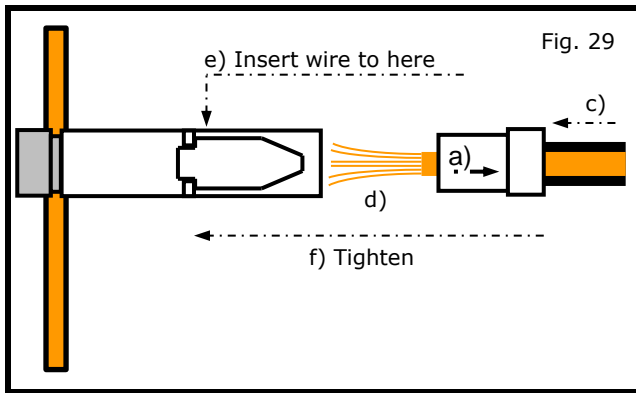


- 24) Inspecting tap for correct installation (Fig. 28).
- Pull on wire lightly to ensure connection.
 - Inspect tap to ensure correct installation.
 - Test signal to ensure that it is working

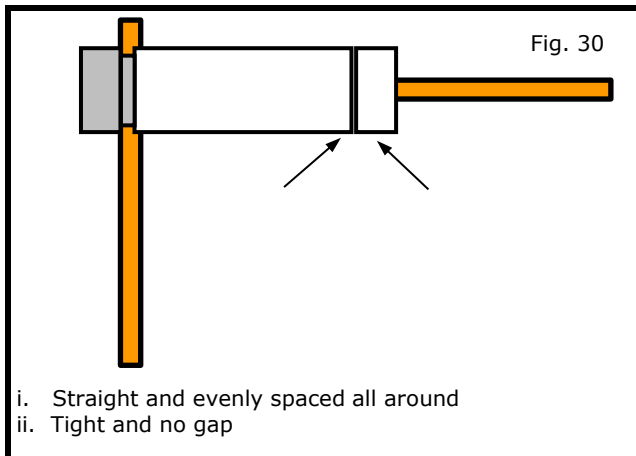
NOTE:

Avoid putting pressure on the vehicle wire and tap for the remainder of the installation.

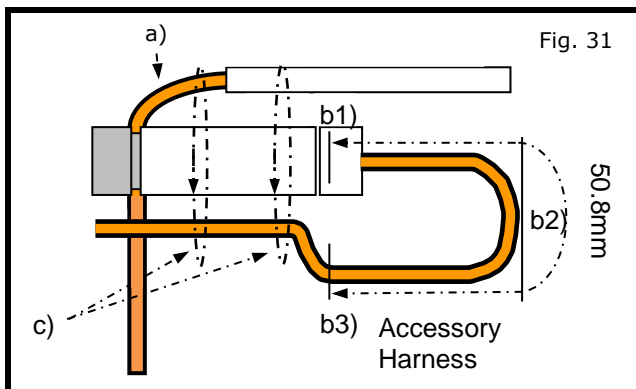
INSTALLATION PROCEDURE: POSI-TAP



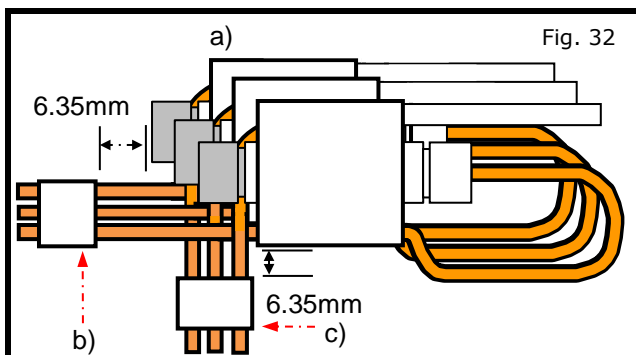
- 25) Tap accessory wire (Fig. 29).
- Remove tap (non-pierce) side from tap.
 - Remove the protective stub from the wire.
 - Insert wire through the non-pierce side opening.
 - Spread the individual strands into fan shape.
 - Insert wire into tap body and ensure that it is all the way in.
 - Tighten the tap **TIGHT** with finger pressure.
 - Tighten by another quarter turn.



- 26) Confirm the tapped accessory wire.
- Pull on wire lightly to ensure connection.
 - Inspect tap to ensure correct installation as shown in Fig. 30.

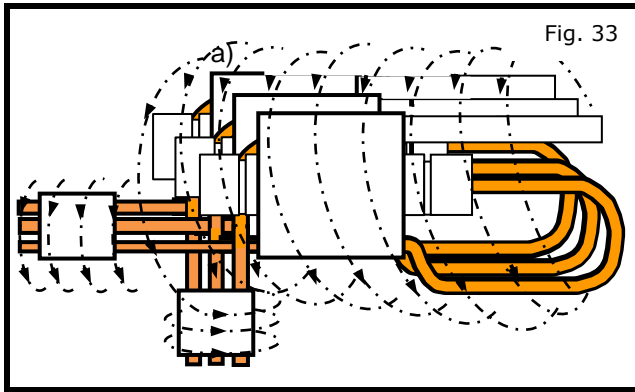


- 27) Forming strain relief loop - required (Fig. 31).
- Gently bend end of pierced wire (where it exits cap) down towards body of Posi-tap.
 - On tapped wire of non-pierce side; starting at point b1), measure 50.8mm(2in) to point b3). Make first bend of loop b2), half distance measured 25.4mm(1in), and up toward body of Posi-tap, make second bend of loop b3).
 - Secure pierced wire on heat shrink side and tapped wire on non-pierce side to body of tap with electrical tape (≥ 2 revolutions).



- 28) Securing multiple accessory taps (Fig. 32).
- Tapped accessories (wires already secured to tap bodies) are stacked slightly staggered on top of each other as shown in Fig a).
 - Tapped wires on non-pierce side of all Posi-taps are secured to each other with electrical tape (≥ 2 revolutions) at a distance of $\geq 6.35\text{mm}$ (0.25in) as shown in Fig b).
 - Pierced wires of first and subsequent Posi-taps are secured to each other with electrical tape (≥ 2 revolutions) at a distance of $\geq 6.35\text{mm}$ (0.25in) as shown in Fig c).

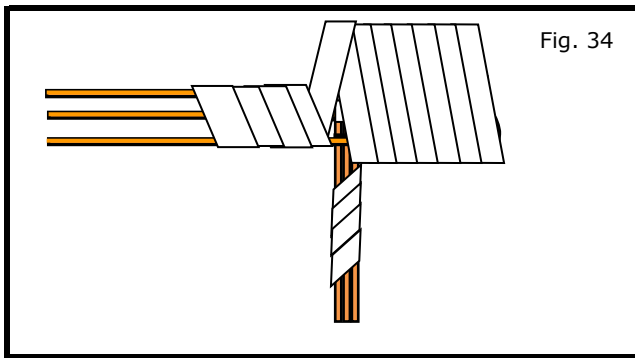
INSTALLATION PROCEDURE: POSI-TAP



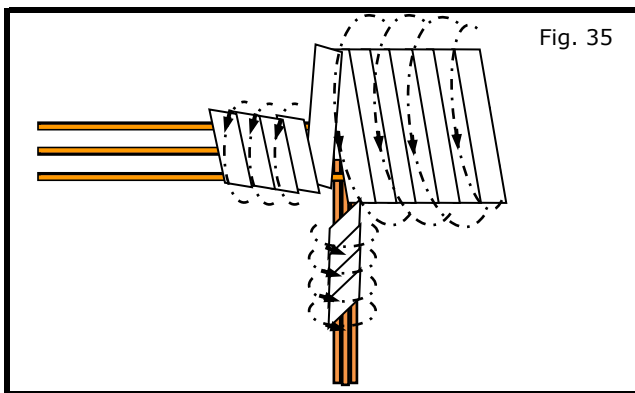
- 29) Pre- foam protective wrap
- a) Starting at heat shrink; firmly wrap Posi-tap bundle with electrical tape or non-adhesive wire harness tape, making sure to overlap previous revolution as shown in Fig. 33.

Note:

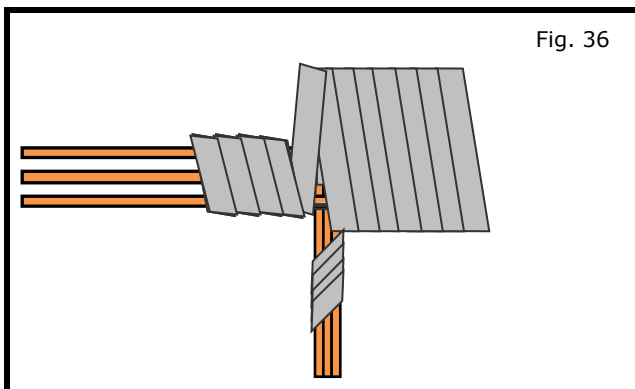
If using a non adhesive tape to wrap the bundle, secure at both ends with ≥ 2 revolutions of adhesive electrical tape.



- 30) Finished protective wrap
- a) Make sure the finished wrap looks similar to Fig. 34.

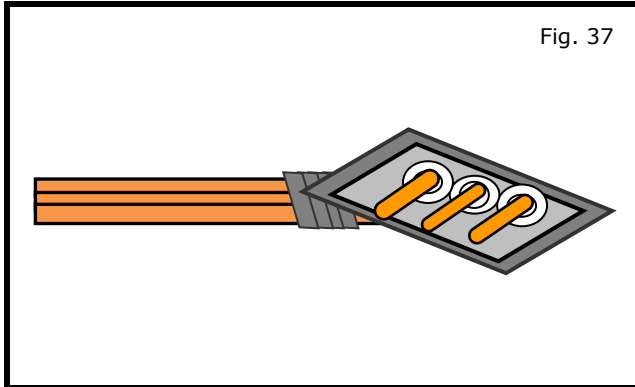


- 31) Foam wrap for Posi-tap bundle (foam strips)
- a) Wrap Posi-tap bundle with foam tape, following a pattern similar to electrical tape, making best use of foam strips provided as shown in Fig. 35.



- 32) Finished foam wrap for bundle (strips-top view)
- a) Make sure finished wrap looks similar to Fig. 36.

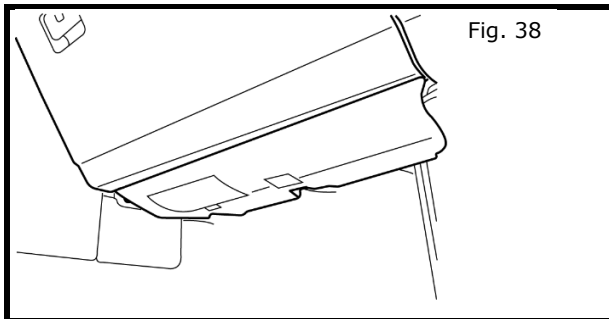
INSTALLATION PROCEDURE: POSI-TAP



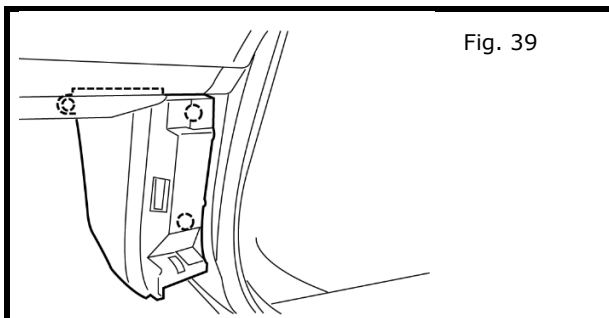
- 33) Finished foam wrap for bundle (strips-side view)
a) Make sure finished wrap looks similar to what is shown in Fig. 37.

CAUTION

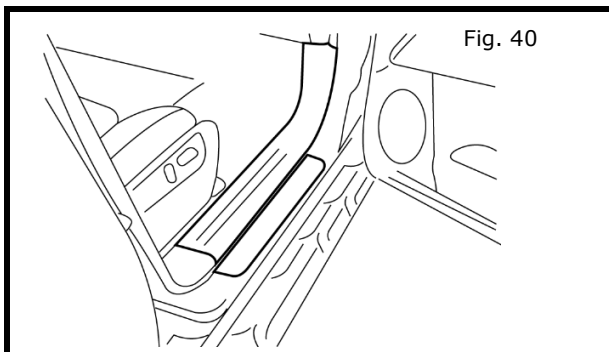
This Accessory Service Connector is for use only with Genuine Nissan (or Infiniti) or Nissan (or Infiniti) approved accessories. Use of this connector with non Genuine Nissan (or Infiniti) or Nissan (or Infiniti) approved accessories or failure to follow the installation instructions for the connector contained in this package may result in damage to the accessory and/or your vehicle. Nissan (or Infiniti) is not liable for loss or damage due to improper installation or the installation of non Genuine or non approved accessories.



- 34) **Reassembly:**
1.) Reinstall glove box and IP lower panel. (Figure 38)
2.) Reinstall dash side finisher. (Figure 39)
3.) Reinstall front kicking plate. (Figure 40)



- 35) Proceed to Page 14 for final assembly check list and pages 15 and 16 for Wi-Fi router test.



FINAL INSPECTION:

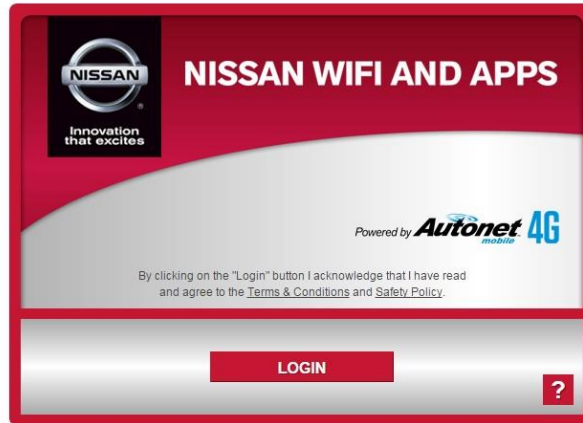
CAUTION

Use caution when re-installing interior components to avoid damage, scratches, or breaking of mounting clips. Refer to the vehicle service manual for more information.

- Inspect the installation area for any debris.
- Make sure all trim clips are in their retainers and gently press the trim panels into place.
- Verify re-installed trim parts for proper flush fit (no gap, no waviness, etc.).
- Verify all clips are fully engaged and locked.
- Verify re-installed trim parts are free from cracks, scratches or stress marks.
- Verify vehicle headliner, seat, steering wheel, center console, floor carpets, etc. are not soiled.
- Verify interior and exterior is not damaged.
- Connect the battery negative terminal and tighten the nut to 5.4 N-m (47.8 lb-in).
- Turn ignition switch to "OFF". Wait 10 seconds, then switch to "ON".
- Turn ignition switch to "ON" and confirm proper operation of vehicle systems and verify:
- Re-program radio presets and other vehicle settings to the recorded settings.
 - Confirm proper audio function (AM, FM, SAT, CD and AUX).
 - That there are no new Diagnostic Trouble Codes.
 - Verify all windows and sunroof (if equipped), one touch operation and perform the reset procedure if necessary. Refer to the vehicle service manual for more details.
 - Power Back Door (If equipped). - Turn on the car, push and note if trunk opens.
 - Tail Lamp - Turn on headlamps; open glove box and note whether light goes on.
 - Start vehicle. Note whether vehicle starts.
- Front Sonar Module Connector - Turn on vehicle, put vehicle in 'Drive'. Move slowly towards a large object in front of the vehicle. Note whether alarm sounds.
- Rear Sonar Module Connector - Turn on vehicle, put vehicle in 'Reverse'. Move slowly towards a large object behind the vehicle. Note whether alarm sounds.
- Place the Owner Manual, Quick Reference Guide, and/or other Manual in the glove box.

FINAL INSPECTION: CHECK OUT

- Turn your car to the ACC position to power up the WiFi module. Wait 3 minutes.
- Open your wireless network list and connect to "**Nissan-XXXX**" (The last 4 digits will be the last 4 digits of the WiFi serial number).
- Open your browser the following screen appears.



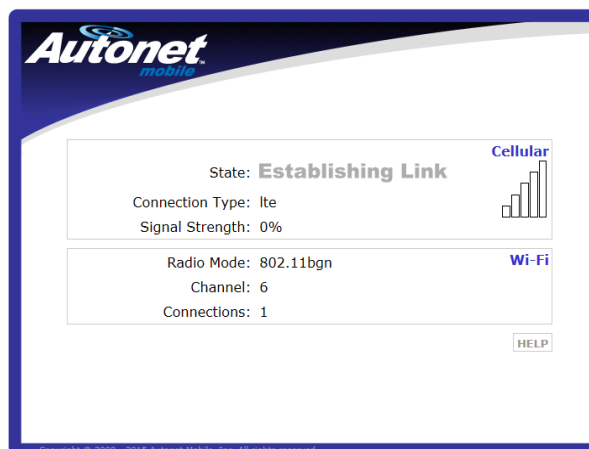
Autonet assumes no responsibility for the configurations, security, or data files on your wireless device resulting from connection to Autonet's network. Anti-virus, privacy, and security protection is the responsibility of the user.

Autonet Mobile recommends that the driver of this vehicle should not attempt to use this system while driving the vehicle.

Do not operate any function that takes your attention away from safely driving your vehicle. Any function that requires prolonged attention should be performed after coming to a complete stop. Always stop the vehicle in a safe location before performing these functions. Failure to do so may result in an accident.

Copyright © 2008 - 2015 Autonet Mobile, Inc. All Rights Reserved.

- Click the LOGIN button. If the following screen appears showing no signal while trying to log in there is insufficient cell tower signal. The vehicle may have to be moved outside for better reception.

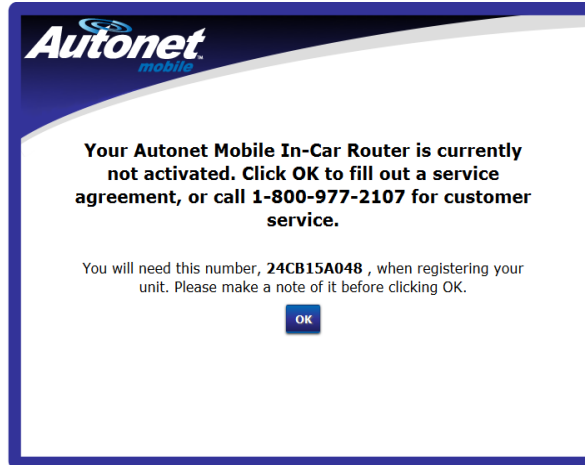


If you are unable to see the "**Nissan-XXXX**" in your wireless network list verify power is present to the WiFi module. If power is present and module still does not appear on the wireless network list call Autonet Mobile at 1-800-977-2107

FINAL INSPECTION: CHECK OUT



After pressing the 'Login', the following window will open, the WiFi module is now in communication with the cell tower. Installation is complete.



The test verifies data communication via network/telecommunication as indicated by prompting the user to fill out a service agreement.

If the service agreement does not pop up this indicates that the Telecommunications (WiFi/network) failed. Contact Autonet Mobile at 1-800-977-2107



Place the Activation Guide, and glove box brochure in the glove box.

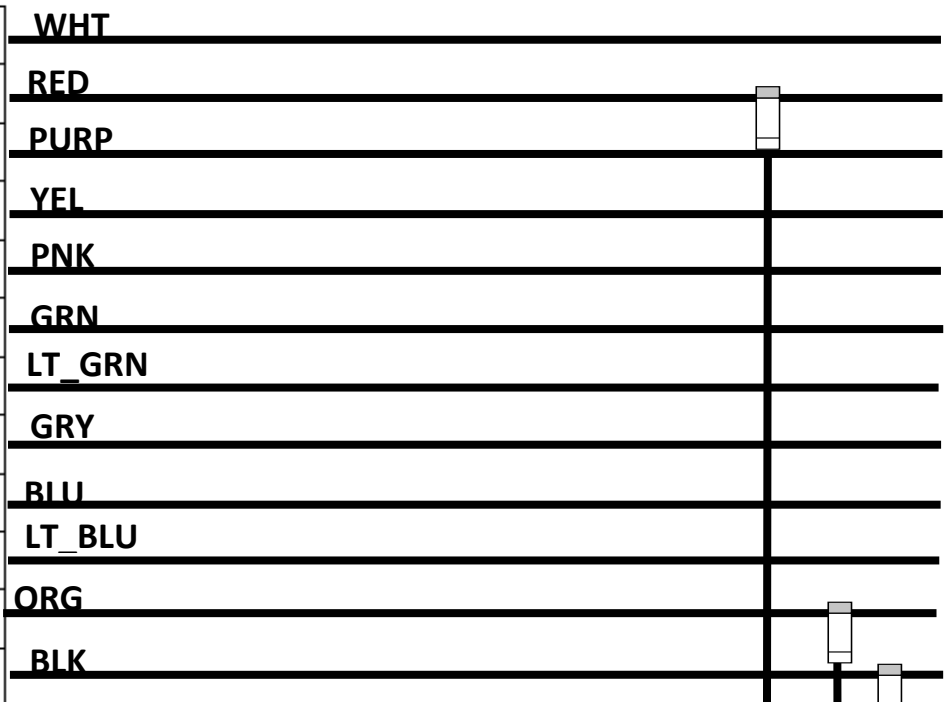
Posi-Tap™ is protected by patent # 5,228,875 5,695,369 5,868,589 6,692,313 Jap 2881414 Aus 708700 Tia 103534 Can 2204826 Mex 200626 Korea 477279 China Z197105562.9 & others pending.

WIFI

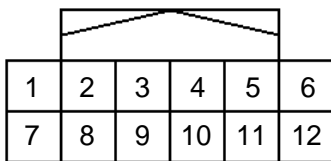
PASSENGER SIDE

ACCY_SER_CONN

| | |
|---------------|----|
| IGN | 1 |
| BAT | 2 |
| TAIL_LAMP | 3 |
| ROOM_LAMP | 4 |
| BAT_SAVER | 5 |
| FR_DOOR_SW_RH | 6 |
| FR_DOOR_SW_LH | 7 |
| THRU_SIGNAL_1 | 8 |
| RR_DOOR_RH | 09 |
| RR_DOOR_LH | 10 |
| ACC | 11 |
| GND | 12 |

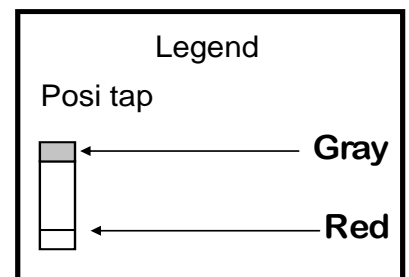


TH12FW-NH



RED
WHT
BLK

Note: Pin location is referenced looking into wire side of connector.



CAUTION

This Accessory Service Connector is for use only with Genuine Nissan (or Infiniti) or Nissan (or Infiniti) approved accessories. Use of this connector with non Genuine Nissan (or Infiniti) or Nissan (or Infiniti) approved accessories or failure to follow the installation instructions for the connector contained in this package may result in damage to the accessory and/or your vehicle. Nissan (or Infiniti) is not liable for loss or damage due to improper installation or the installation of non Genuine or non approved accessories.