



INFINITI.

# GENUINE PARTS

## INSTALLATION INSTRUCTIONS

<b>DESCRIPTION:</b>	Driver/Passenger side Air Bag Anti Theft Bolt M6/ Nut M6
<b>APPLICATION:</b>	Armada
<b>PART NUMBER:</b>	999L2 AL000 / 999W5 AQ000

### KIT CONTENTS:

Item	Qty.	Part Description
	1	Driver Side Airbag Anti Theft Bolt M6
A	10	Lock Bolt M6
D	1	Installation Instruction Replacement Template
E	10	Decal

Item	Qty.	Part Description
	1	Passenger Side Airbag Anti Theft Nut M6
C	10	Lock Nut M6
D	1	Installation Instruction Replacement Template
E	10	Decal



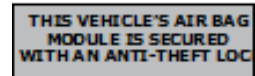
A



C



D



E

### TOOLS REQUIRED:

#### M6 BOLT

- 1/4" Drive ratchet & extension
- 1/4" Drive pin Torx T30 socket.
- 10mm hex deep well socket
- 1/4" Drive torque wrench  
50-150 in-lb (5.6~16.9Nm) range
- Master Key Set  
(KENT-MOORE P/N J-44615)
- Trim removing tool

#### M6 NUT

- 1/4" Drive ratchet & 8"extension
- 1/4" Drive 10mm hex socket
- 1/4" to 3/8" univ. socket adapter
- 1/4" Drive torque wrench  
50-150 in-lb (5.6~16.9Nm) range
- Master Key Set  
(KENT-MOORE P/N J-42057)
- Trim removing tool

- Philips Screw driver

### PRE-INSTALLATION WARNINGS, CAUTIONS, CRITICAL STEPS, and NOTES:

- See applicable vehicle service manual for additional tools required to gain access to air bag module.
- Airbag anti-theft bolt master key sets are service tools that are only available to franchised INFINITI/NISSAN dealers.
- Due to special tool and service manual availability, this accessory is for dealer installation only.

## **⚠ WARNING**

**Do not disconnect the electrical connectors to either the key FOB sensor or the sonar control sensor.**

**Lower instrument cover must be lowered without disconnecting any electrical wiring.**

**Vehicle Preparation:**

**⚠ CAUTION**

• Always confirm the ignition is in the "OFF" position before changing the switch condition.

- 1) Apply parking brake
- 2) Confirm vehicle is not in the default shipping state or "Inventory position" as shown below. Failure to confirm vehicle has been removed from this state will result in loss of normal vehicle operation.
- 3) Locate Extended Storage Switch in cabin fuse block. Confirm it is in the "Customer" position. See below for reference.

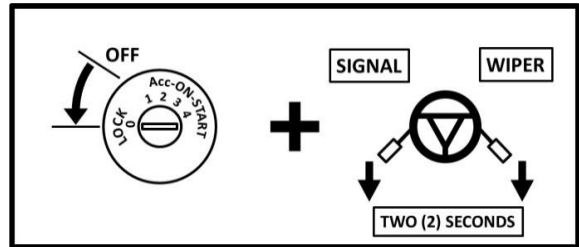
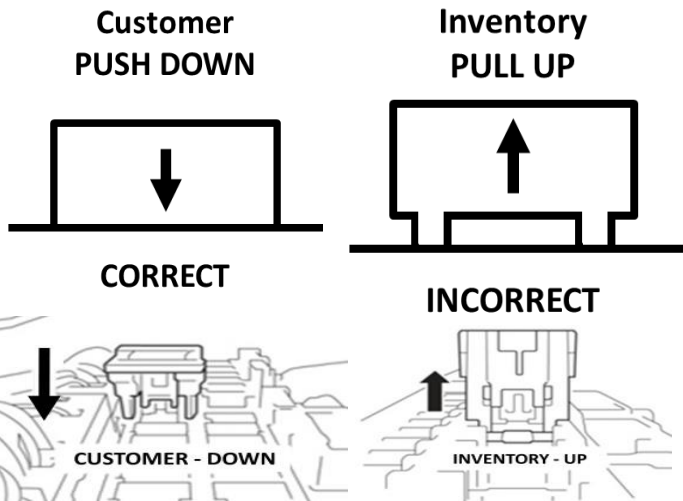
a) To remove transit mode (Fuse Block):

1. Remove fuse cover lid.
2. Push down shorting pin.
3. Ign On 2 times without starting the vehicle.

b) To remove transit mode (BCM):

1. Confirm ignition switch is in "OFF" position.
2. Simultaneously push the signal and wiper switch fully down for two (2) seconds.

**NOTE:** While in BCM Transit Mode, turn signal indicators will remain illuminated for one minute.



c) To return to transit mode for storage:

1. Ign Off.
2. Remove fuse cover lid.
3. Pull up shorting pin.
4. Assemble fuse cover lid.
5. Ign On 2 times without turn the vehicle on.
6. Confirm transit mode condition on meter

**NOTE:** Typical vehicle condition shown above. Switch is easily identifiable by the permanent, push-pull fuse holder. Actual position on the fuse block may vary, vehicle to vehicle.

Condition	Switch Position	Note
Vehicle is delivered to the dealer	Inventory Condition	
Technician performs PDI	Customer Delivery	Return to Inventory position after PDI.
Customer test drives the vehicle	Customer Delivery	Return to Inventory position after test drive.
Vehicle is being stored at the dealer	Inventory Condition	
Vehicle is delivered to customer	Customer Delivery	

**NOTE:** The Extended Storage Switch is only an aid to improve battery life during vehicle storage at the dealer. If the Extended Storage Switch fuse ever needs service after vehicle delivery, discard the Extended Storage Switch and install the correct fuse in its place.

- 4) Turn ignition switch to "ON" position
- 5) Record the customer radio presets and other presets as required.

Preset	1	2	3	4	5	6		

- 6) Put shift lever in "P" position for A/T and CVT or "1st" for M/T
- 7) Turn ignition switch to "OFF" position
- 8) Use seat and floor protection.

## INSTALLATION PROCEDURE:

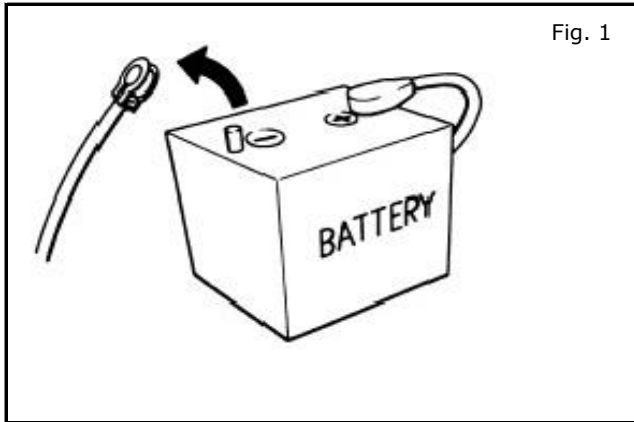


Fig. 1

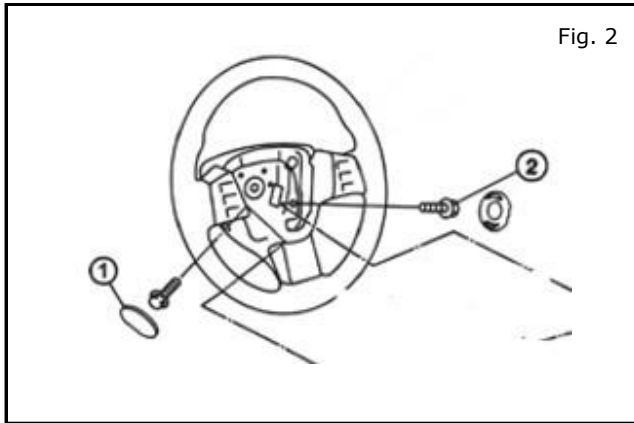


Fig. 2

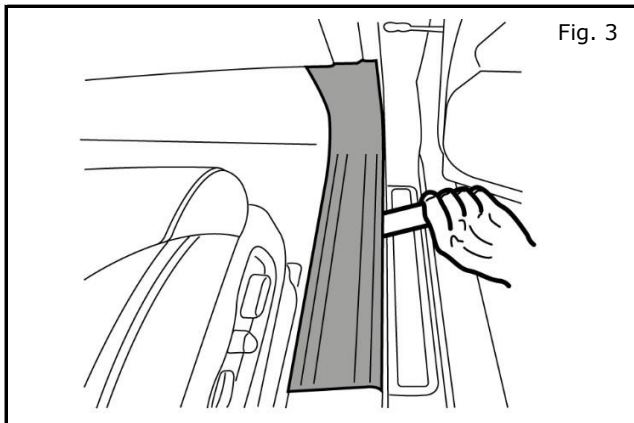


Fig. 3

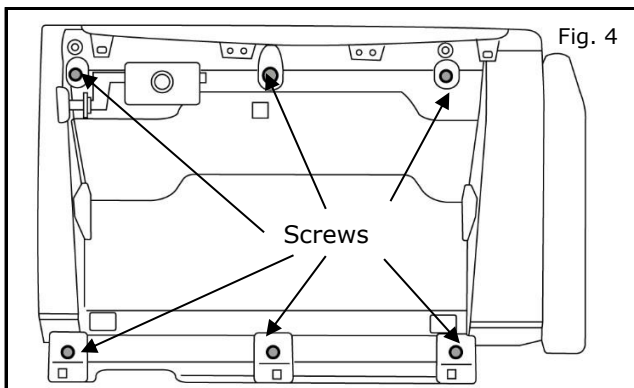
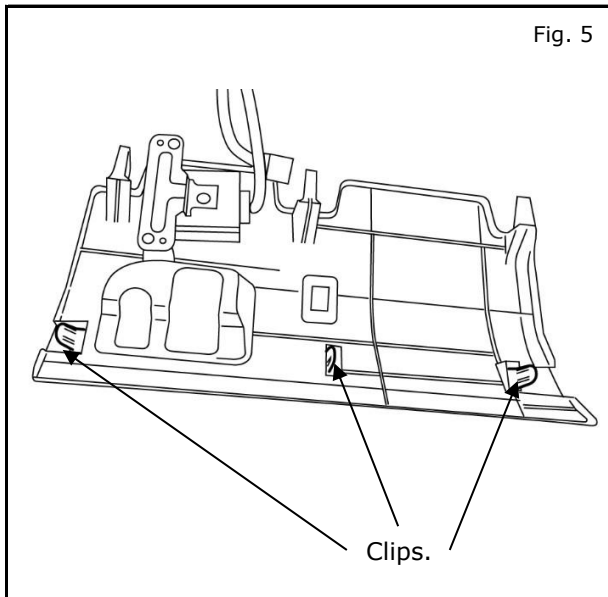


Fig. 4

- 1) Turn ignition switch to "**OFF**" position
- 2) Disconnect the negative battery terminal and wait for 3 or more minutes.
  - a) Lower both the driver and passenger windows to prevent damage.
  - b) Always work from the side of air bag module. Never work from front.
- 3) Driver side Air Bag Bolt Installation
  - a) Remove one of side access cover from side of steering wheel hub. Anti theft Air bag bolt can be install in either 1 or 2 location shown in Fig.2
  - b) Use Torx drive socket to remove one of the bolt securing air bag module
  - c) Select key from air bag master key set.
  - d) Install security bolt in place of airbag bolt removed.
  - e) Use torque drive socket to tighten security bolt . Torque spec range 50-150 in-lb (5.6~16.9Nm)
  - f) Reinstall side access cover.
- 4) Passenger Air Bag Nut Installation
  - a) Remove Kick plate by disengaging the clips using trim removal tool.
  - b) Remove 6 screws from glove box.

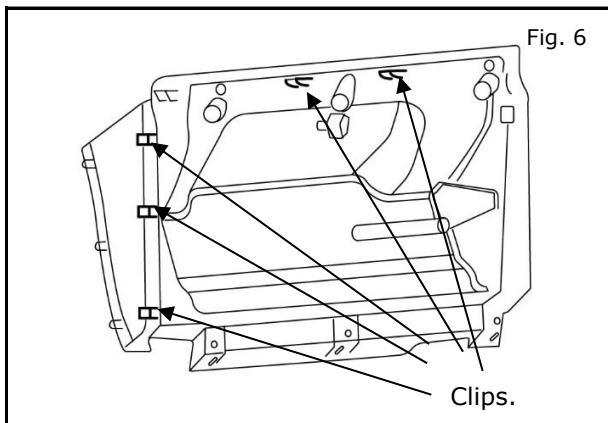
## INSTALLATION PROCEDURE:



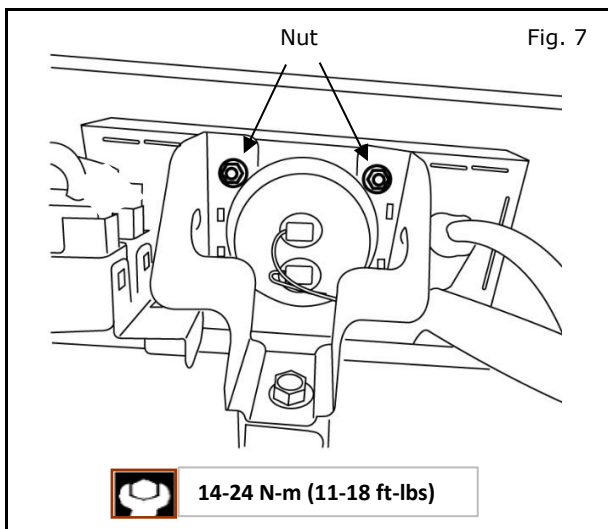
- c) Remove lower panel by disengaging 3 clips

### NOTE:

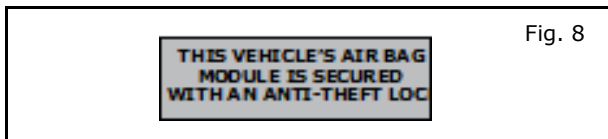
**Do not unplug connectors from Key Fob Sensor or Front Sonar Controller.**



- 5) Removal of glove box.
- a) Remove glove box by disengaging 5 clips.
- b) Pull and remove the glove box.



- 6) To install passenger side anti-theft Nut follow steps (a) through (i).
- a) Remove either of the hex nut from mounting bracket as shown in Fig. 7
- b) Select key from air bag master key set.
- c) By hand, install security nut in place of airbag nut removed in step 6a.
- d) Use torque wrench to tighten security nut. Torque spec 50-150 in-lb (5.6~16.9Nm) range
- e) Re-install panel cover removed in step 4c.
- f) Re-install kick plate
- g) Re-install glove box.
- h) Re-install side instrument panel.
- i) Re-connect battery cables.



- 7) Decal installation.
- a) Apply contents decal to inside surface of driver side glass directly above exterior door handle.