



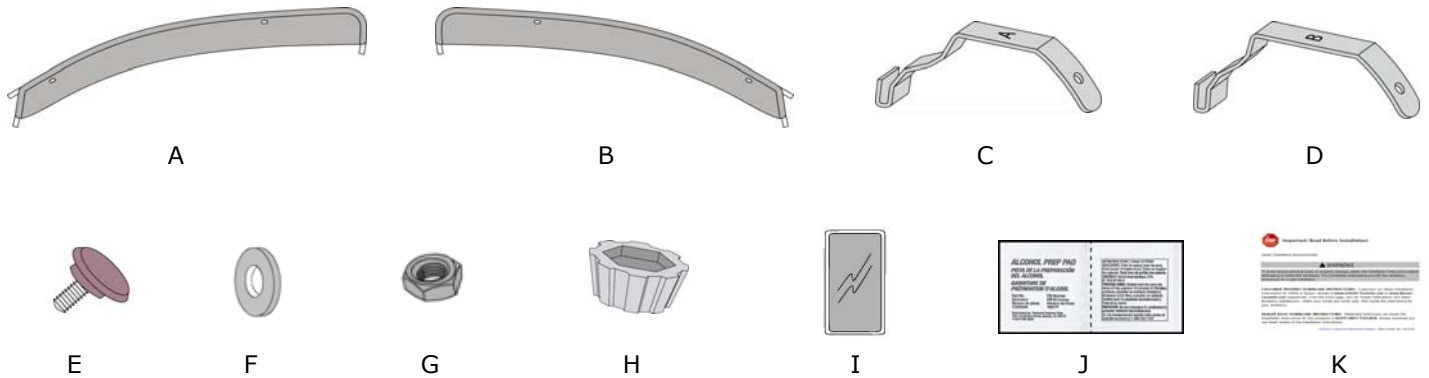
# GENUINE PARTS

## INSTALLATION INSTRUCTIONS

<b>DESCRIPTION:</b>	Wind Deflector Side Window
<b>APPLICATION:</b>	NV200 & Taxi
<b>PART NUMBER:</b>	999D3 FZ000

### KIT CONTENTS:

Item	Qty.	Part Description	Service Part Number
A	1	Side Window Deflector-Front LH	---
B	1	Side Window Deflector-Front RH	---
C	2	Bracket A	---
D	2	Bracket B	---
E	4	Capped Screw	---
F	4	Washer	---
G	4	Nut	---
H	1	Nut Tool	---
I	4	Protective Tape	---
J	1	Alcohol Wipe - 2 pk	---
K	1	Installation Instruction Replacement Template	999V2 AW000



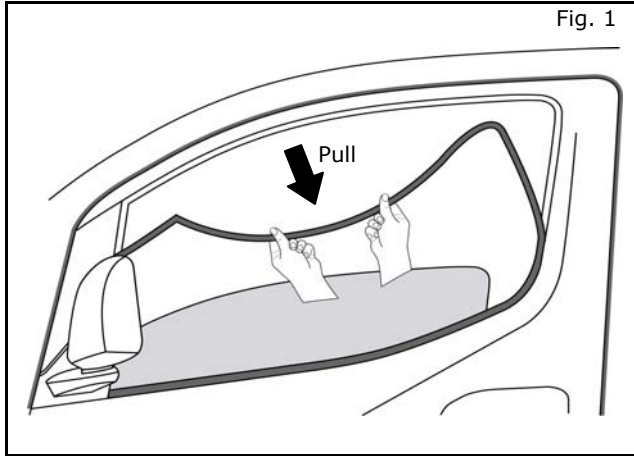
### TOOLS REQUIRED:

- Clean Cloth
- Soap/Water
- 90% or great isopropyl alcohol
- Masking Tape
- Scale/Measuring Tape (mm)
- Non Permanent Marker / Pencil

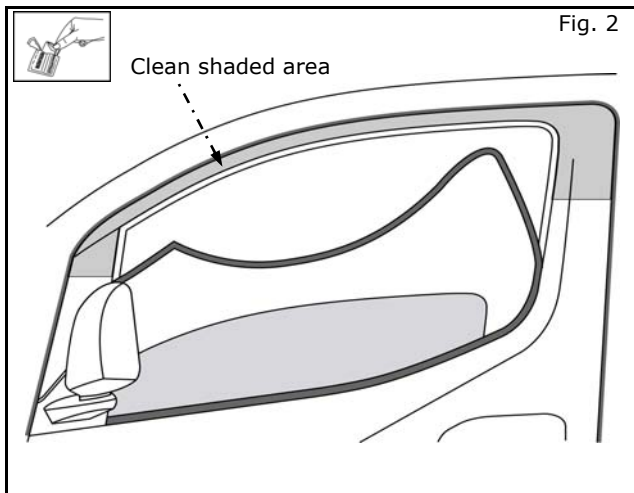
### PRE-INSTALLATION WARNINGS, CAUTIONS, CRITICAL STEPS, and NOTES:

- Read all instructions carefully before beginning installation.
- Never use ammonia based cleaner or solvents on the side window deflector.
- Dealer Installation Recommended.
- No moisture contact or washing vehicle for 24 hours after installation.
- Ideal ambient temperature for installation is above 55° (15°C).

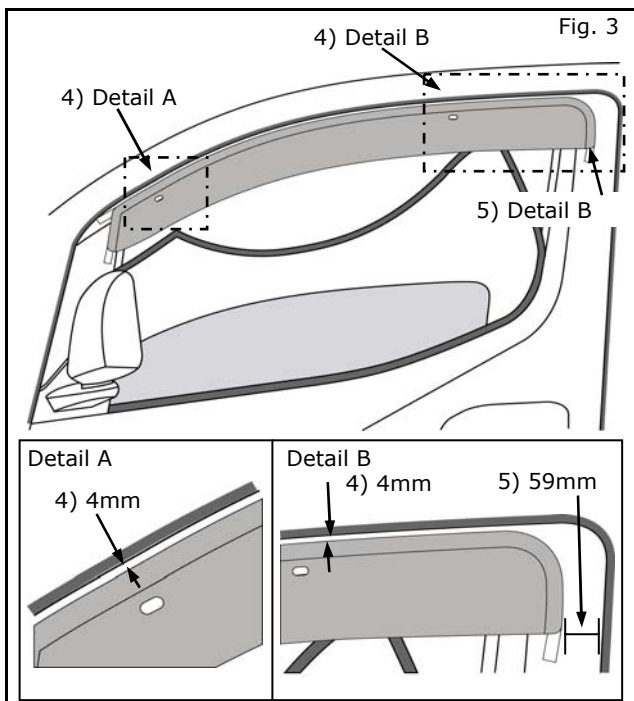
## INSTALLATION PROCEDURE:



- 1) Clean front door with soap/water and dry with a clean cloth.
- 2) Lower window and pull rubber weather strip down to expose door flange.

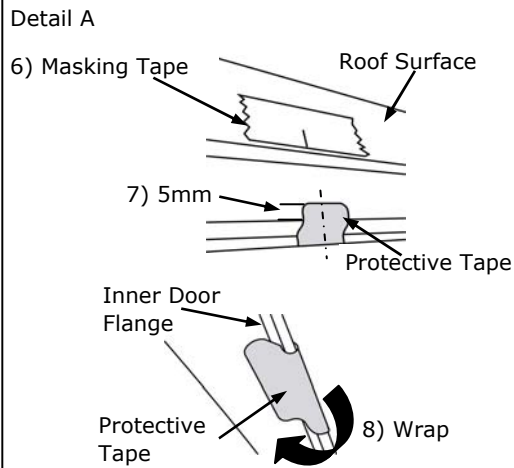
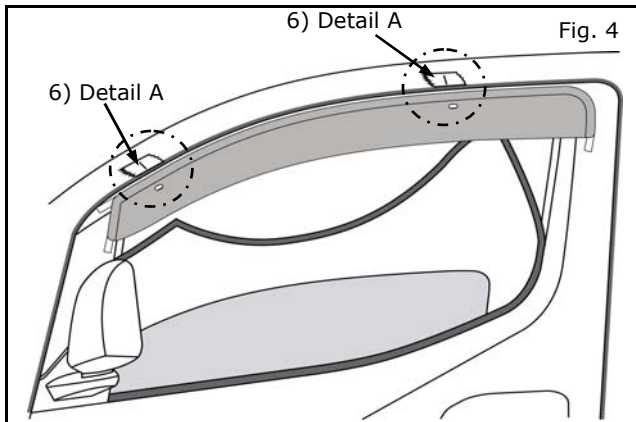


- 3) Clean installation surface (shaded area) with provided alcohol wipe.

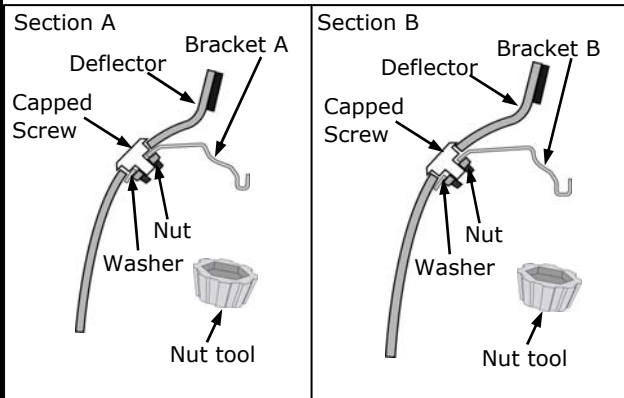
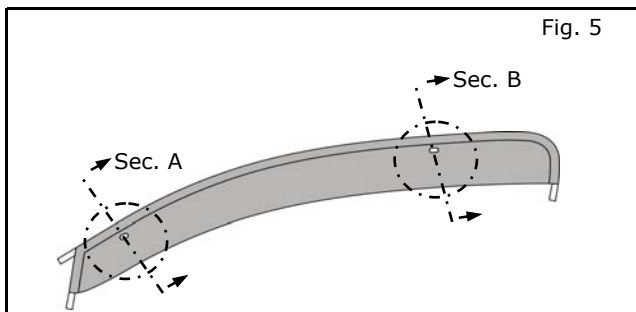


- 4) Dry fit deflector by aligning top of deflector edge 4mm down from edge of door.
- 5) Align rear edge of deflector 59mm away from edge of door.

**INSTALLATION PROCEDURE:** (continue)



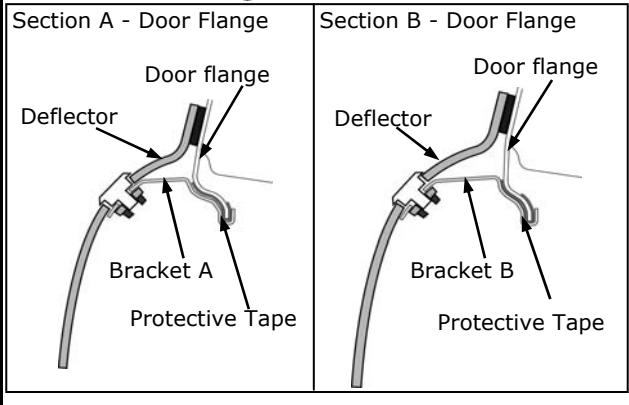
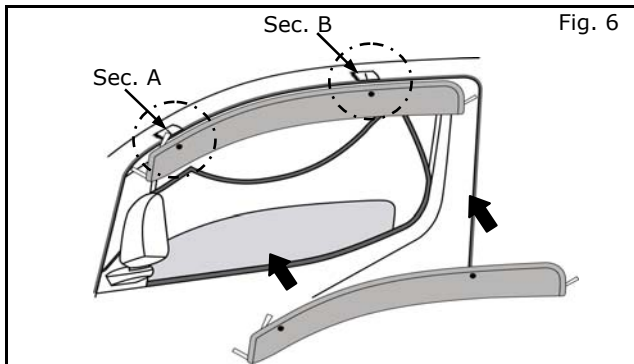
- 6) Place masking tape on roof surface at bracket hole locations and mark with pen or pencil.
- 7) Place protective tape with 5mm contacting door surface and centered to marked tape locations. See detail A.
- 8) Wrap protective tape into inner door flange. See detail A



- 9) Attach Bracket A and Bracket B using a capped screw through deflector and bracket.
- 10) With capped screw through deflector and bracket, place washer and nut on capped screw.
- 11) Loosely tighten nut with nut tool.

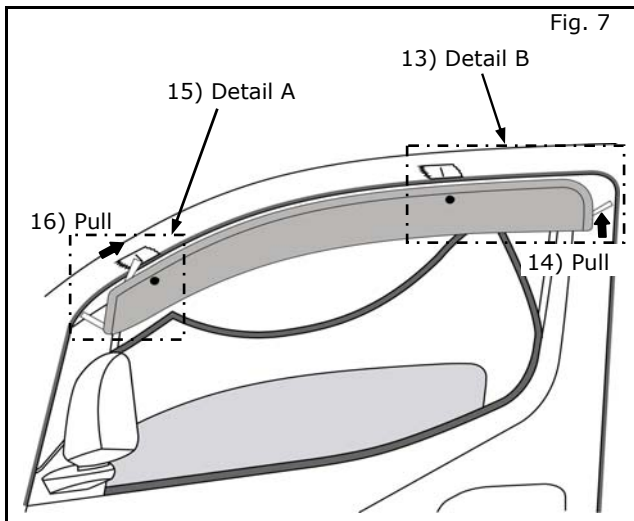
**NOTE:**  
Do not fully tighten screws.

**INSTALLATION PROCEDURE:** (continue)



12) Attach deflector to door by sliding brackets onto door flange.

**NOTE:**  
Make sure liner pull tabs are exposed.

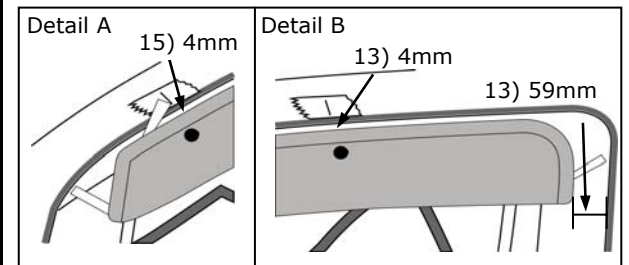


13) Align rear edge of deflector 59mm away from edge of door and 4mm down from top of door frame at rear bracket location.

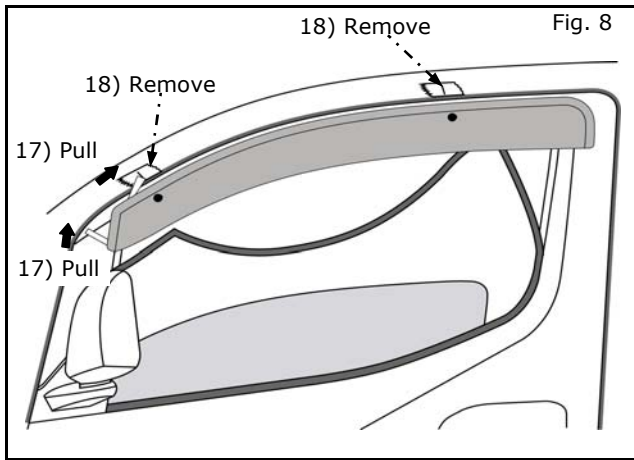
14) Pull rear vertical pull tab to remove liner and tack down deflector in place.

15) Align top of deflector edge 4mm down from top of door frame at front bracket location.

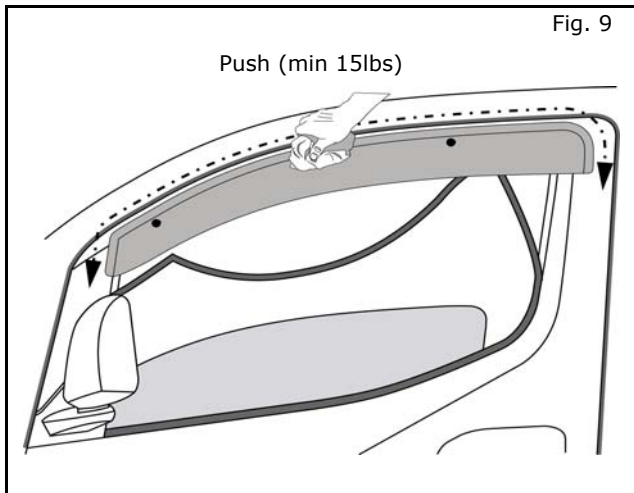
16) Pull front pull tab back about 1" and tack down deflector.



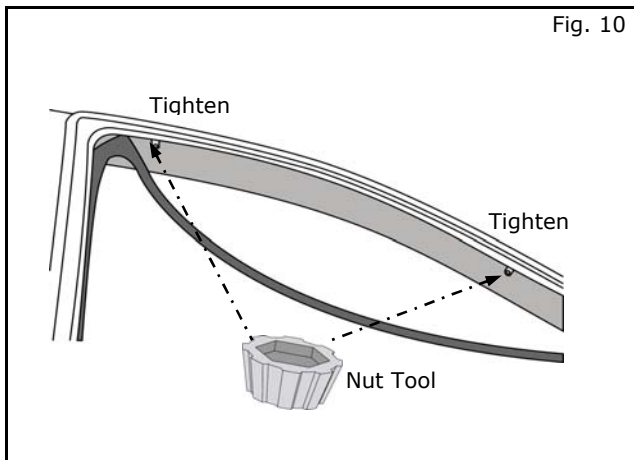
**INSTALLATION PROCEDURE:** (continue)



- 17) Remove tape liners by pulling on exposed pull tab.
- 18) Remove masking tape.



- 19) Using a clean cloth apply at least 15lbs. of pressure along tape length.



- 20) Use nut tool and tighten nuts on brackets.
- 21) Place rubber weather strip back into door channel.

- 22) Repeat steps 1-21 for other side.