



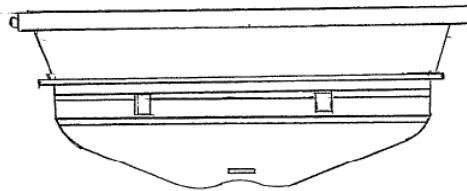
GENUINE PARTS

INSTALLATION INSTRUCTIONS

DESCRIPTION:	Retractable Cargo Cover
APPLICATION:	Rogue
PART NUMBER:	999N3 G2001

KIT CONTENTS:

Item	Qty.	Part Description
A	1	Tonneau Cover Assy
B	1	Installation Instructions Replacement Template



A



B

TOOLS REQUIRED:

- No tools required.

PRE-INSTALLATION WARNINGS, CAUTIONS, CRITICAL STEPS, and NOTES:

- Cover is not intended for objects to be placed on top.

WARNING

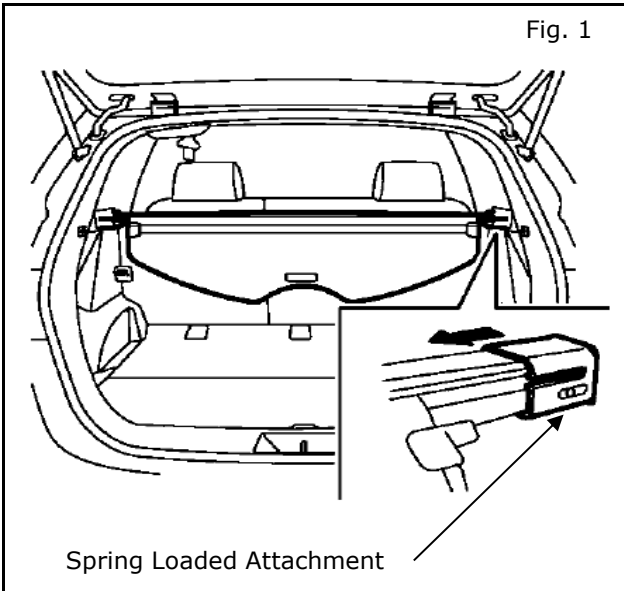
Your cargo cover is designed to cover normal cargo contents. Flammable or dangerous materials should not be transported in your vehicle at any time.

CAUTION

Cargo cover does not provide load restraint.

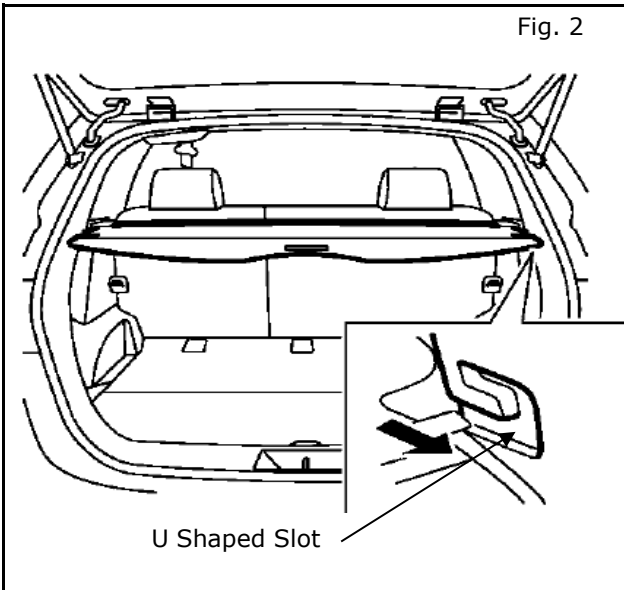
INSTALLATION PROCEDURE:

Fig. 1



- 1) Insert cargo cover end into driver side rectangular sockets.
- 2) Pull spring loaded end on passenger side of cargo cover and insert into passenger side rectangular socket.

Fig. 2



- 2) Pull retractable cargo cover rearward and up into both U shaped slots until it locks into place.