



GENUINE PARTS

INSTALLATION INSTRUCTIONS

DESCRIPTION: Rear Bumper Protector

APPLICATION: Murano

PART NUMBER: 999B1 C3400

KIT CONTENTS:

Item	Qty.	Part Description
A	1	Rear Bumper Protector
B	2	Spacers
C	1	Installation Instruction Replacement Template
D	2	90% Alcohol Prep Pads

TOOLS REQUIRED:

- Clean, Lint-Free Wiping Cloth
- Masking Tape

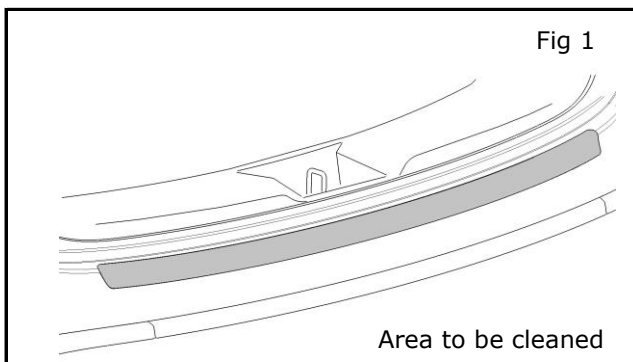
PRE-INSTALLATION WARNINGS, CAUTIONS, CRITICAL STEPS, and NOTES:

- Dealer installation recommended. Instructions may refer to Service Manual.

CAUTION

- Please wash vehicle with soap and water prior to installing bumper protector.
- Do not wash vehicle for 24 hours after installing bumper protector.
NOTE: Washing vehicle less than 24 hours after installing bumper protector could cause it to not adhere properly.
- Install bumper protector only when part and vehicle temperature are between 16°C - 43°C (60°F - 110°F).
- Failure to clean mounting surface properly may cause tape to have poor adhesion to vehicle.
- Failure to apply enough pressure to all of tape may cause bumper protector to not adhere properly.
- To allow time for adhesive to cure, maintain vehicle temperature between 16°C - 43°C (60°F - 110°F) for a minimum of 2 hours after installing bumper protector.

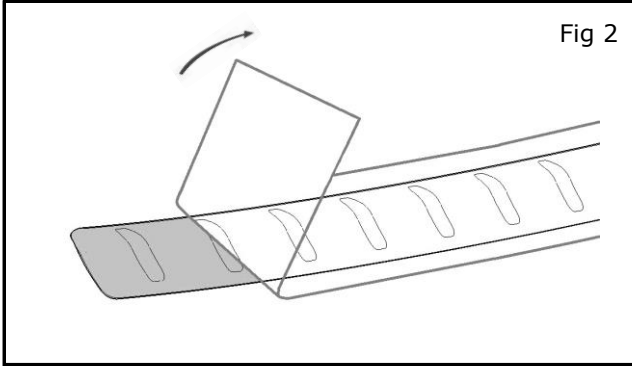
INSTALLATION PROCEDURE:



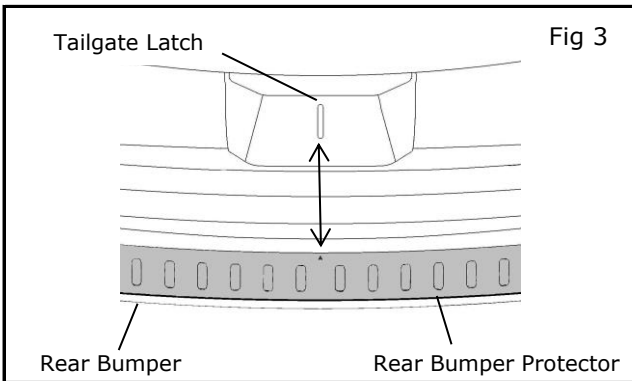
- 1) Clean vehicle attachment area thoroughly with soap and water to remove any dirt or debris and allow time to dry.
- 2) Bumper protector installation prep.
 - a) Open rear hatch.
 - b) Using a clean lint-free cloth and 90% isopropyl alcohol, clean area of rear bumper where part will be installed.
 - c) Allow time to dry thoroughly.

NOTE: Failure to clean mounting surface properly may cause tape to have poor adhesion to vehicle.

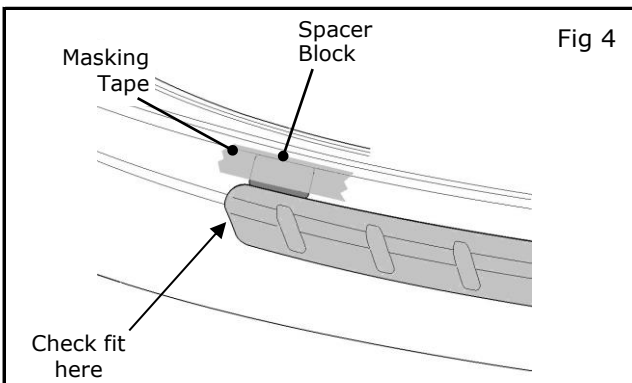
INSTALLATION PROCEDURE:



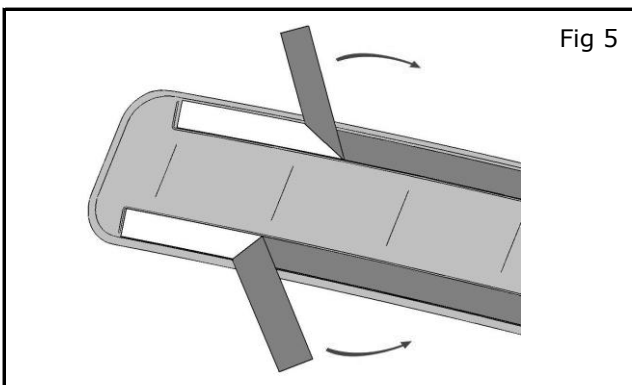
3) Remove and discard protective film.



4) Dry fit bumper protector on vehicle by aligning bumper protector centering arrow with tailgate latch.

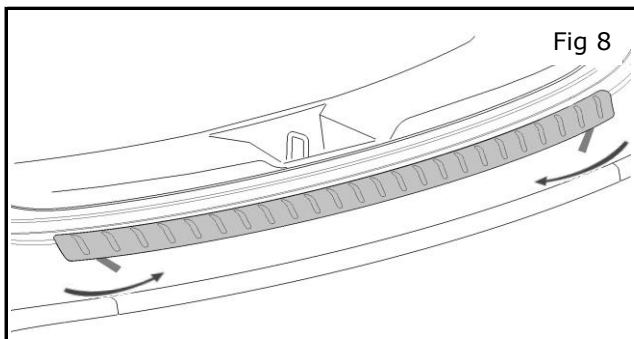
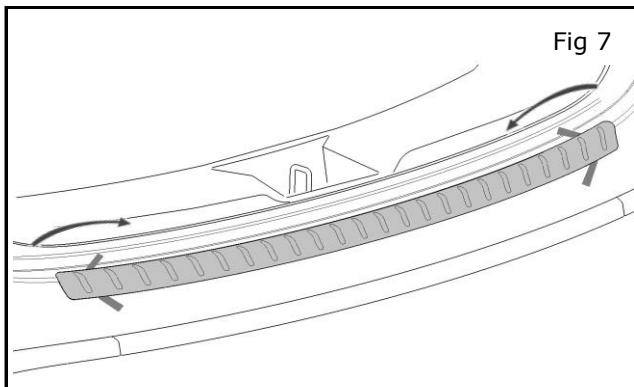
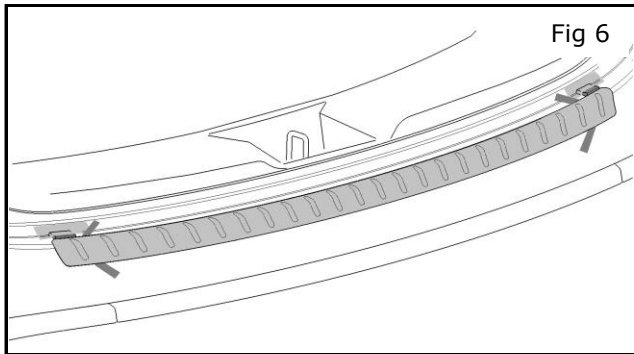


- 5) Position spacer block in alignment with edge of protector on both sides of vehicle. Spacer block should fit tight between part and bumper.
- 6) Secure spacer block to bumper with masking tape.
- 7) Check fore/aft alignment of bumper protector to curvature of bumper for consistent gap.



- 8) Prepare tape.
- Remove part.
 - Peel back approximately 30mm (1¼in) on all tape liners.
 - Fold back all liners.

INSTALLATION PROCEDURE:



- 9) Re-align part to vehicle and lightly tack bumper protector to vehicle.
- 10) Confirm center arrow alignment to vehicle and tight fit to spacers. If necessary, un-tack bumper protector and repeat.
- 11) Remove spacer blocks.
- 12) While holding part in position, with one hand at center arrow, remove front tape liners.
- 13) Using a clean lint-free cloth, start at center and apply 1 kg/cm^2 (15 lbs/in^2) of firm pressure along tape path.
- 14) Remove rear tape liners.
- 15) Using a clean lint-free cloth, start at center and apply 1 kg/cm^2 (15 lbs/in^2) of firm pressure along tape path.
- 16) To ensure adequate adhesion, re-apply 1 kg/cm^2 (15 lbs/in^2) of firm pressure across entire part.
NOTE: Failure to apply enough pressure to all of tape may cause bumper protector to not adhere properly.
- 17) Close rear hatch.
- 18) Maintain vehicle temperature between 16°C - 43°C (60°F - 110°F) for a minimum of 2 hours, and do not expose vehicle to moisture for a minimum of 24 hours. This will allow time for tape to cure.