



GENUINE PARTS

INSTALLATION INSTRUCTIONS

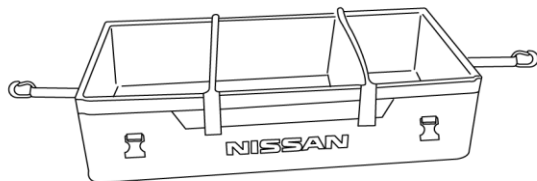
DESCRIPTION: Cargo Organizer

APPLICATION: Armada

PART NUMBER: T99C2 5ZW0A

KIT CONTENTS:

Item	Qty.	Part Description	Service Part Number
A	1	Cargo Organizer	T99C2 5ZW0A
B	1	Installation Instruction Replacement Instruction	NA



A



B

TOOLS REQUIRED:

- None

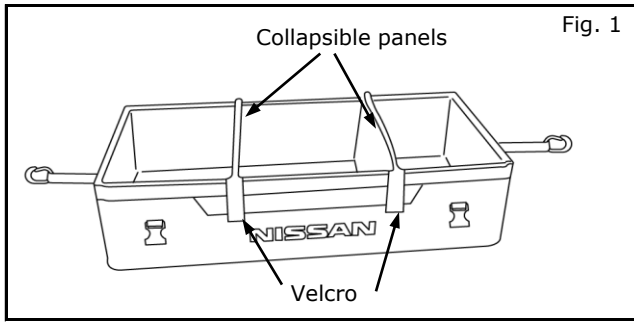
PRE-INSTALLATION WARNINGS, CAUTIONS, CRITICAL STEPS, and NOTES:

- Dealer Installation Recommended. Instructions may refer to Service Manual.
- Do not use Cargo Organizer for large, heavy, or unsafe, objects. Such items may be thrown about during heavy braking or accident.
- Do not lift excessive loads with this Cargo Organizer.
- Do not stack anything higher than seatbacks.
- Do not use Cargo Organizer as a safety restraint.
- Always exercise common sense when lifting.

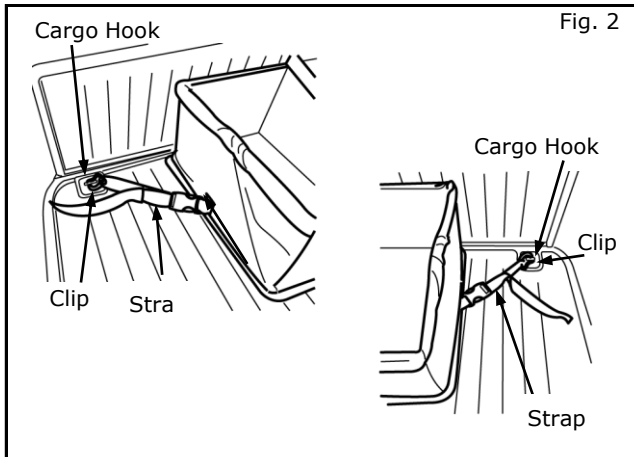
⚠ WARNING

- Do not use Cargo Organizer if Cargo Hooks are not installed in the vehicle.
- Prior to completion, verify 2 Cargo Organizer straps are securely fastened to Cargo Hooks.
- Cargo Organizer is designed for the convenience of organizing small cargo.
- Cargo Organizer is not designed for retaining objects during heavy braking or an accident.
- Do not use Cargo Organizer for sharp objects.
- Do not exceed MAX LOAD 60 lbs. (27 kg.)

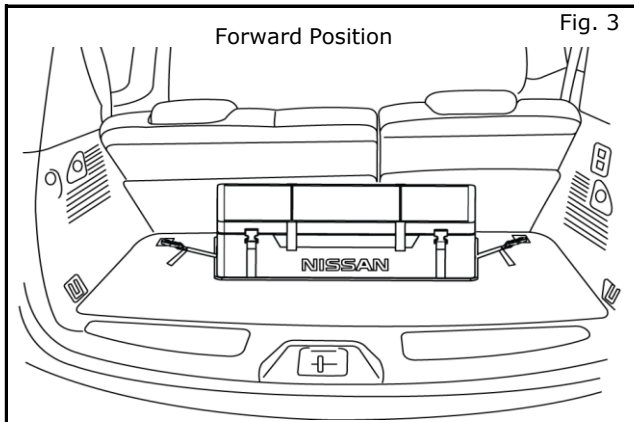
INSTALLATION PROCEDURE:



- 1) Remove Cargo Organizer from packaging and place in rear of vehicle.
- 2) To use dividers, lift collapsible panels and attach to Velcro areas.



- 3) Secure Cargo Organizer to Cargo Hooks located on floor of vehicle using (2) straps with clips (Passenger rear attachment shown).



- 3) Cargo Organizer can be secured to either the forward Cargo Hooks (see Fig. 3) or the Rear Cargo Hooks (see Fig. 4).

