



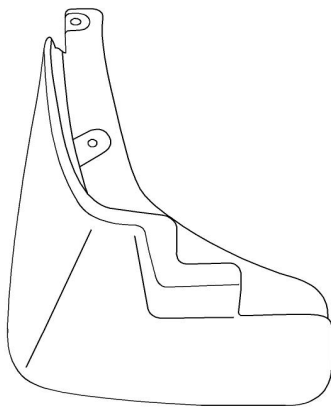
# GENUINE PARTS

## INSTALLATION INSTRUCTIONS

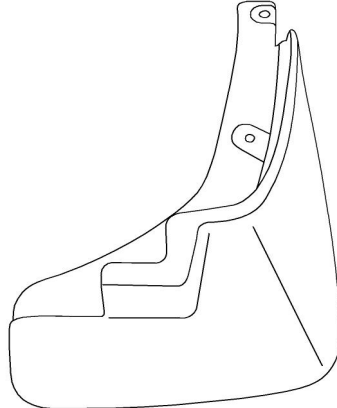
<b>DESCRIPTION:</b>	Splash Guard-Front
<b>APPLICATION:</b>	NV200
<b>PART NUMBER:</b>	999J2 FZ003

### KIT CONTENTS:

Item	Qty.	Part Description	Service Part Number
A	1	Splash Guard - Front Left	63855 3LMOC
B	1	Splash Guard - Front Right	63854 3LMOC
C	4	Phillips Head Screw	14-51 00891
D	2	Push Pin	11296 AG000
E	1	Installation Instruction Replacement Template	999V2 AW000



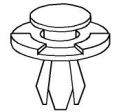
A



B



C



D



E

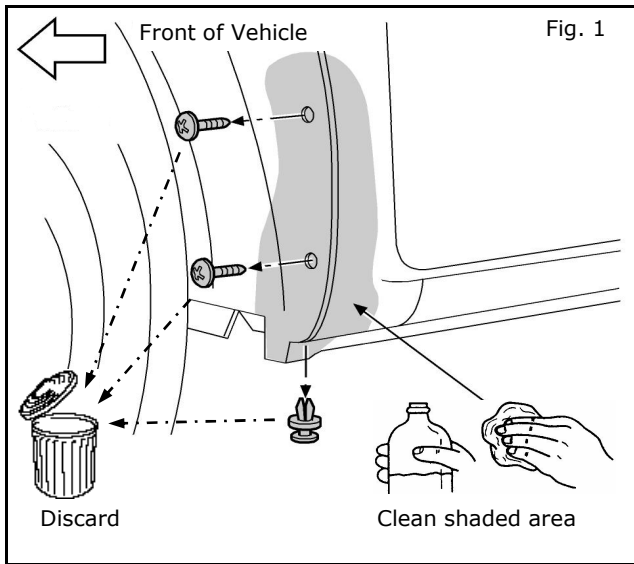
### TOOLS REQUIRED:

- Mild soap / water mixture
- Clean Rag
- #2 phillips screw driver
- Flat head screw driver

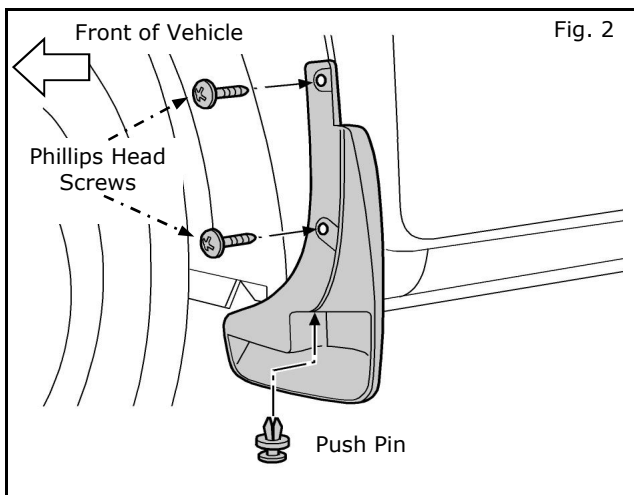
### PRE-INSTALLATION WARNINGS, CAUTIONS, CRITICAL STEPS, and NOTES:

- These installation instructions are for the left side of the vehicle; the same procedure applies to the right side.
- Dealer Installation Recommended.

## INSTALLATION PROCEDURE:



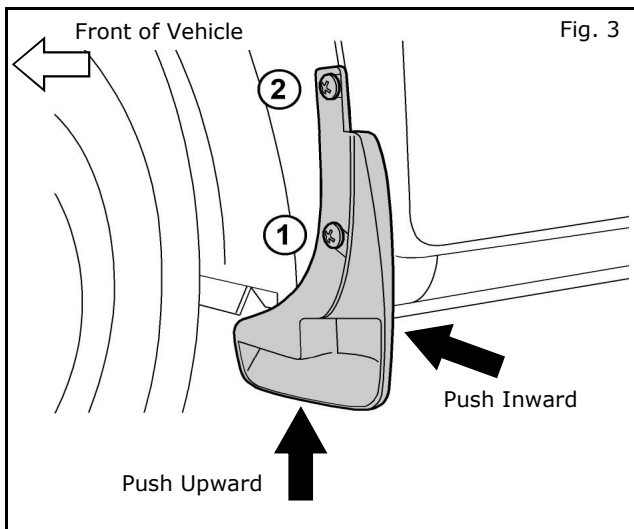
- 1) Clean installation surface (shaded area) with mild soap/water mixture.
- 2) Remove 2 screws and push pin and discard.



- 3) Align splash guard to vehicle and install new push pin.
- 4) Loosely install two new phillips head screws.

### NOTE:

**Do not tighten screws at this time.**



- 5) Push splash guard upward and inward towards vehicle and tighten screws in sequence shown.

### NOTE:

**Do not over tighten screws. Reference Tighten Torque: 3.8~4.4N-m {34~39 in-lb}**

- 6) Repeat for passenger side of vehicle.