



# GENUINE PARTS



## INSTALLATION INSTRUCTIONS

### 1. DESCRIPTION: ALLOY WHEEL LOCK KIT M12 & M14

#### 2. APPLICATION:

##### Wheel Lock Kit 999H1-A7003

**Nissan:** 350Z 17"/18"(non-Rays), Altima, Altima Coupe, 2004-2016 Armada, Cube, Frontier 16" 6-Spoke/18" 2009-2010 GT-R, 2010~ GT-R Premium, 2018~ GT-R Pure, 2012-2016 GT-R Black, 2014 GT-R Track, Juke, Leaf 1995-2011 Maxima, 2003-2018 Murano (ex. 2003-05 18"), 2013-16 Pathfinder 16" 6-Spoke/18", Quest, Rogue, Sentra, Xterra 16" 6-Spoke, Versa, Versa Note, 2004-2015 Titan, 2016~ Titan (Light Duty-Factory Wheel), Kicks

**Infiniti:** 2003-08 FX35/FX45 19", 2003-07 G35 Coupe, 2003-06 G35 Sedan, M35/M45 (ex. 18"), JX35, Q45 19", 2013-15 QX60

##### Wheel Lock Kit 999H1-A7009

**Nissan:** 350Z 18"/19" Rays, Frontier 16" 5-Spoke/17", 2013-16 Pathfinder 16" 5-Spoke/17", Xterra 16" 5-Spoke/17", 2017~ Titan (Light Duty - Accessory Wheel)

##### Wheel Lock Kit 999W2-VR000

**Nissan:** 2003-05 Murano 18" **Infiniti:**2003-08 FX35/FX45 18", M35/M45 18", Q45 17"/18", 2004-2010 QX56

##### Wheel Lock Kit 999W2-JT000

**Nissan:** 370Z, 2012~ Maxima, 2017~ Pathfinder, 2019~ Murano

**Infiniti:** EX35, EX37, 2009-13 FX35, FX37, 2009-13 FX45, FX50, G25, 2008 G35 Cpe, 2007-08 G35 Sed, G37, M37/M56, Q40, Q50, Q60, Q70, QX50, 2016~ QX60, QX70

##### Wheel Lock Kit 999W2-3X000

**Nissan** 2016~ Titan (Heavy Duty - Factory Wheel), 2017~ Armada **Infiniti:** 2011-13 QX56, QX80

##### Wheel Lock Kit T99W2-4X000

2015~ GT-R Nismo, 2017~ GT-R Track

### 3. KIT CONTENTS:

Item	Qty.	Description
A	4	Wheel Lock
B	1	Key
C	1	Instruction Card
D	1	ID Card
E	1	Order Form with Envelope
F	1	Plastic Wire Tie

### 4. TOOLS REQUIRED:

Wire Brush, Vehicle Lug Wrench (if equipped), Torque Wrench, 21mm Hex Socket

### 5. Installation:

1. Remove one lug nut from each wheel. If studs are dirty, clean with a wire brush prior to installing locks.
2. By hand, install a wheel lock on each wheel.
3. Take the key supplied in the wheel lock set and place it on top of the wheel lock, turning until the key and wheel lock patterns engage. Please the lug wrench (or torque wrench and socket) on the key and while applying inward pressure on the key tighten the wheel lock. Use a torque wrench and socket to tighten the wheel lock to the recommended torque specification found in the vehicle owners manual.

#### CAUTION

1) Use of an impact wrench may cause permanent damage to the wheel lock and key. If in doubt about the wheel lock application, ask your dealer for assistance.

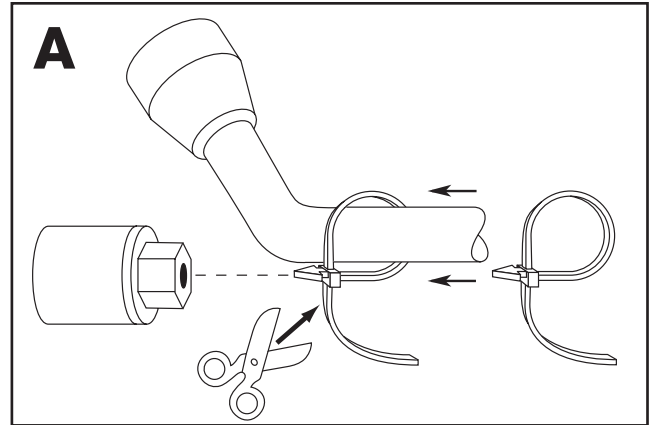
## **WARNING**

- 1) Do not use oil or grease on the wheel stud or wheel lock. This could cause the wheel lock to become loose.
- 2) Retighten the wheel lock when the vehicle has been driven for 1,000 km (600 miles).

### **6) Key Attachment to Lug Wrench (if equipped):**

1) Attach the wheel lock key to the vehicle lug wrench using the plastic fastener supplied in the wheel lock kit. Pull cable tight with pliers and cut excess off with scissors or the side cutter of the pliers (refer to Diagram A.)

2) Return lug wrench to vehicle.



### **7) Removal:**

1) Use the special key and your lug wrench (if equipped). If there is no lug wrench use a torque wrench and socket. Place the key on top of the wheel lock and turn until the patterns engage. Place the lug wrench or torque wrench and socket on top of the key, and while applying inward pressure on the key, loosen the wheel lock.

2) To reinstall, follow step 5 above.