

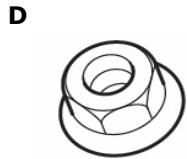
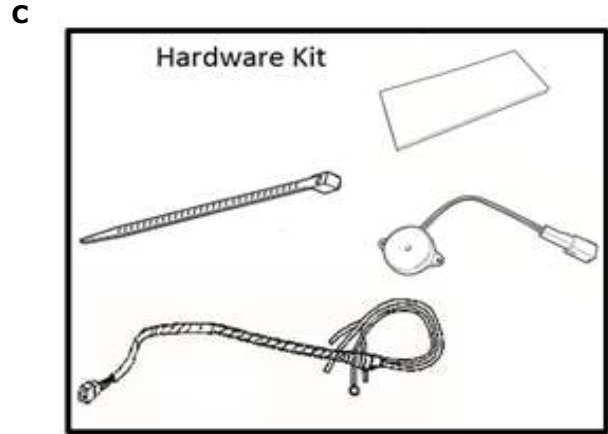
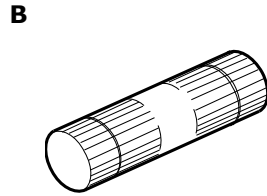
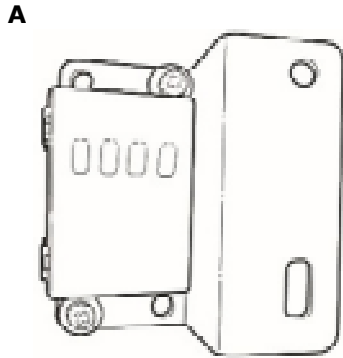


GENUINE PARTS

INSTALLATION INSTRUCTIONS



DESCRIPTION:	Impact Sensor Gen II Kit
APPLICATION:	Pathfinder (S& SV Grades, Non-HEV Only), QX60 (Base Grade, Non-HEV Only)
PART NUMBER(S)	T99M2 6TA0A
REQUIRED FOR	999Q9 AY001/T99F6 4RA0A , Accessory Service Connector - not included in kit above
INSTALLATION:	
KIT CONTENTS:	



Note: Photos are not to Scale.

ADDITIONAL SERVICE PARTS NOT INCLUDED IN KIT ABOVE :

Item	Qty.	Part Description	Service Part Number
AAA	1	Accessory Service Connector	999Q9 AY001/T99F6 4RA0A



AAA

PART NUMBER(S)
REQUIRED FOR
INSTALLATION:

T99M2 6TA0A
999Q9 AY001/T99F6 4RA0A , Accessory Service Connector - not included in kit
above

KIT CONTENTS:

Item	Qty.	Part Description	Service Part Number	
A	1	Impact Sensor Sensor Assembly	No Service Part#	
B	5	Posi-Tap		
C	1	Hardware Kit		
	1	Impact Sensor Harness		
	8	Cable Tie		
	8	Urethane Foam Tape		
	2	M6 Flanged Nut		
	1	Buzzer		
D	2	M6 Flanged Nut		
E	1	Quick Reference Guide		
F	1	Installation Instruction Replacement Template		999V2 AW000

TOOLS REQUIRED:

- Trim Removal Tool, Nylon
- Short 1/4" Ratchet Drive
- Standard #2 Phillips Screwdriver
- Short #2 Phillips Screwdriver
- 1/4" Drive 10mm Socket
- 10 mm Ratcheting Wrench

INSTALLATION CAUTIONS:

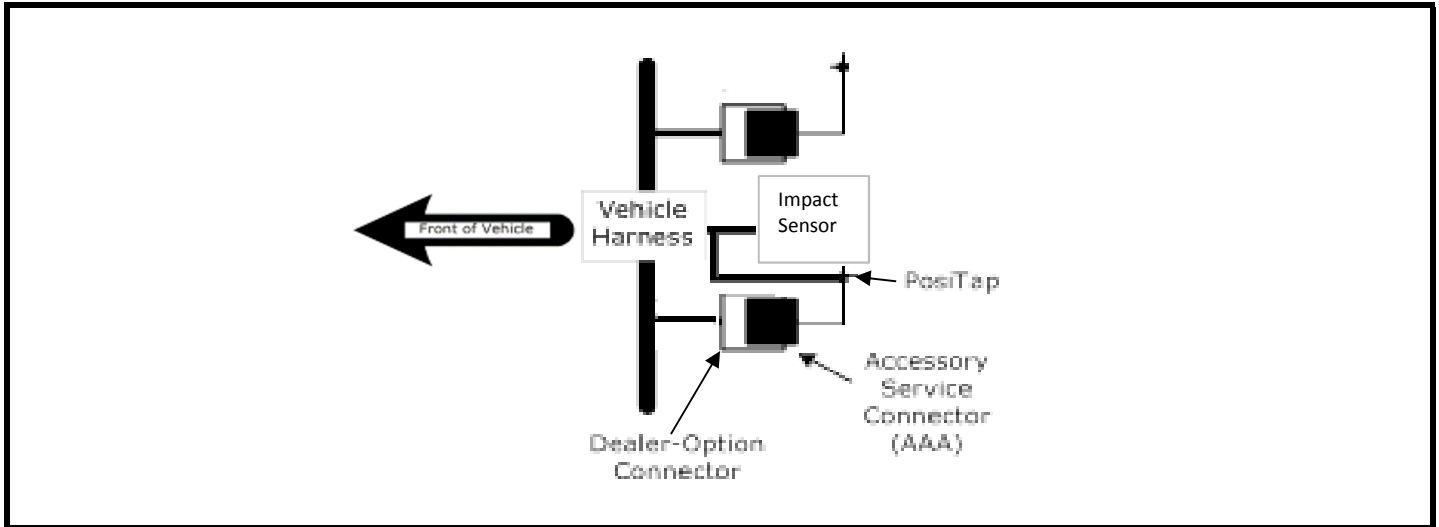


CAUTION

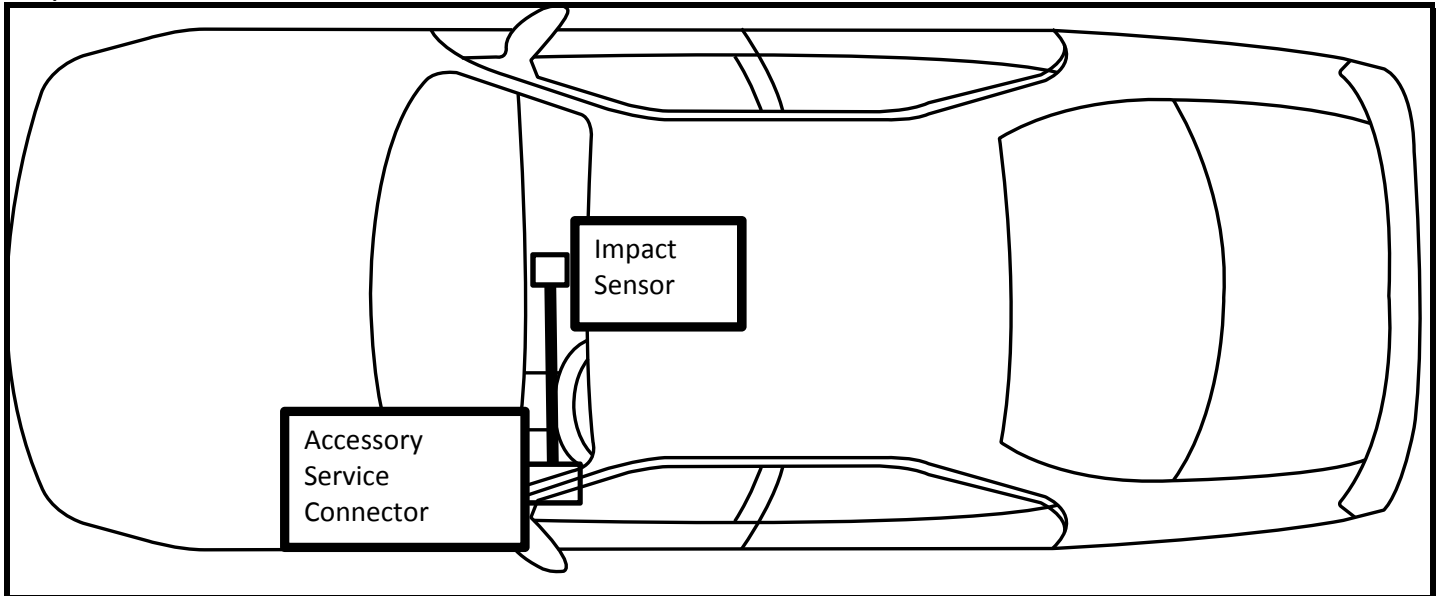
- Dealer installation recommended. Instructions may refer to Service Manual.
- Please read this instruction carefully before installing this product for correct installation.
- Please DO NOT use or install the part in ways other than what is described.
- Always use floor, seat and steering wheel protection.
- Parts utilizing adhesion as method of attachment are to be installed at surface temperature of 15-38° C
- Posi-Tap™ instructions must be specifically followed as described in Appendix A.
- Apply masking tape as needed to protect areas that may be scratched or damaged by tools.
- Always remove vehicle parts in the sequence directed. Improper procedure can damage parts.
- Take care not to scratch or damage any component during the removal or re-installation process.
- Trim pieces found to have witness marks or broken clips ARE NOT to be reinstalled.
- Store removed parts in a safe manner.
- If a problem occurs during installation, please contact Nissan dealer where you purchased the product.

SECTION 1 - Overview

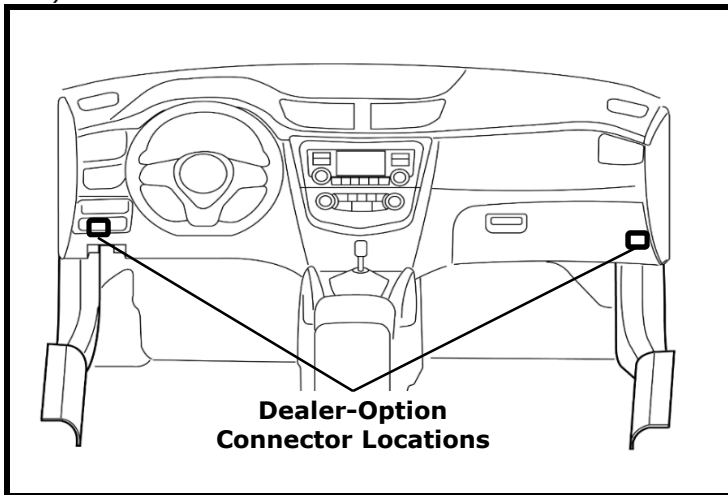
1.1) SYSTEM



1.2) VEHICLE



1.3) D-OPT CONNECTOR LOCATION

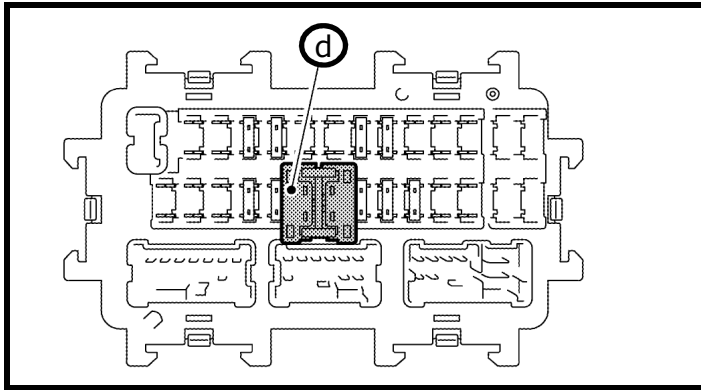




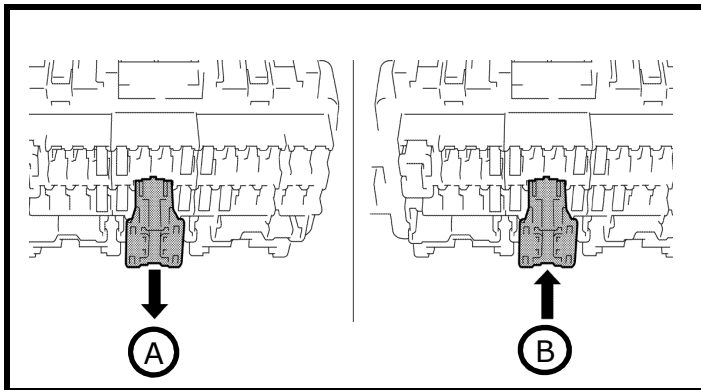
CAUTION

• Always confirm the ignition is in the "OFF" position before changing the E.S.S. position.

• If E.S.S. is not in Customer Mode, there will be a loss of normal vehicle operation, preventing accessory function check.



- 2.1) Check Extended Storage Switch Position
- a) Put shift lever in "P" position for A/T and CVT or "1st" for M/T .
 - b) Apply park brake.
 - c) Place ignition in "OFF" mode.
 - d) Locate Extended Storage Switch in cabin fuse block as shown.
 - e) Confirm Extended Storage Switch is in "Customer" (In/Engaged) position.
 - f) If ESS is not In/Engaged, then proceed to step 2.2 .



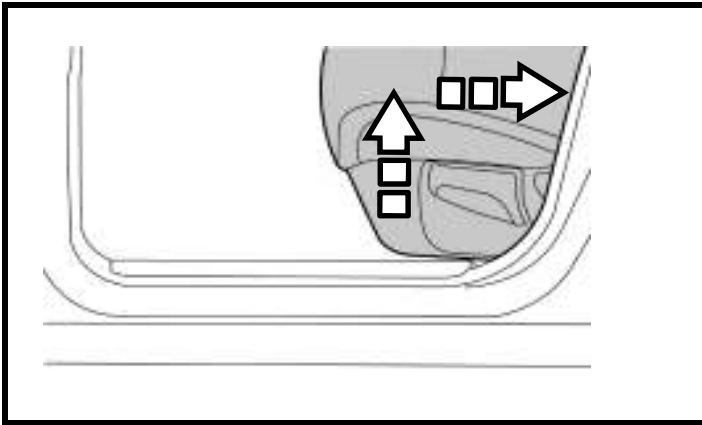
- 2.2) Changing ESS Position
- a) To disengage Customer Mode, pull out in **A** direction as shown.
 - b) To engage Customer Mode, press in **B** direction as shown.

Condition	Switch Position	Note
Vehicle is delivered to the dealer	Transit (OUT)	
Vehicle is being stored at the dealer	Transit (OUT)	
Vehicle is delivered to customer	Customer (IN)	

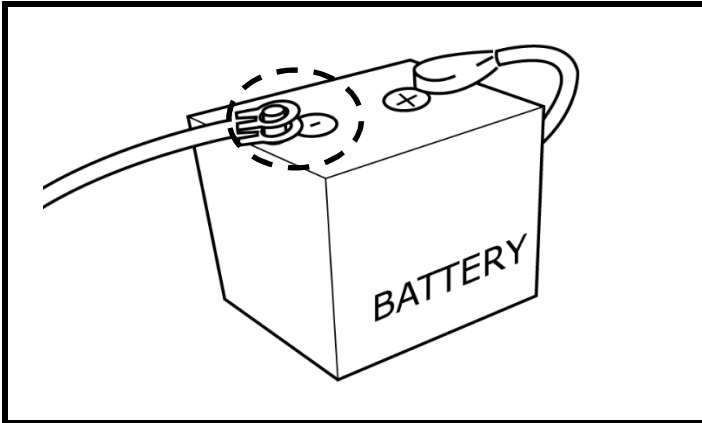
- 2.3) Record Customer Presets
- a) Place ignition in "ON" mode.
 - b) Record the customer radio presets and other presets as required.

Preset	1	2	3	4	5	6	7	8	9	10

- c) Place ignition in "OFF" mode.



- 2.4) Move seats.
- a) Move both front seats to full upward and rearward position.



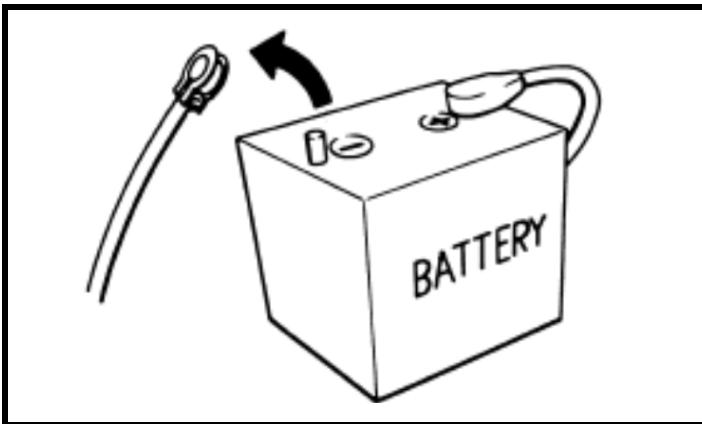
- 2.5) Disconnect battery terminal
- a) Locate negative battery terminal.
 - b) Loosen nut with 10mm socket.

Battery Terminal Nut



⚠ CAUTION

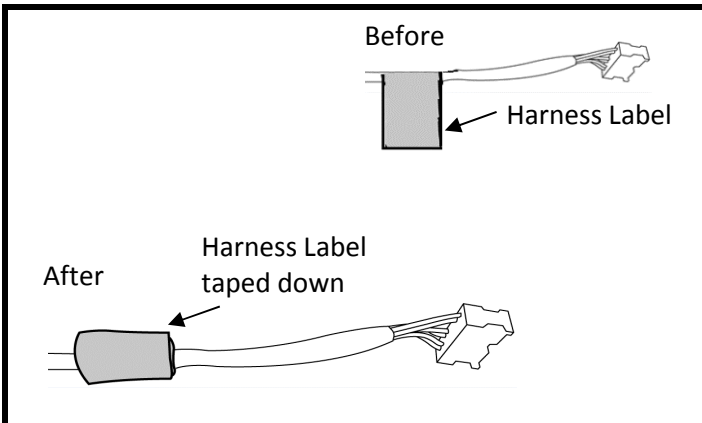
- Allow 3 min after key off with doors closed for vehicle power to time out.



- 2.6) Disconnect battery terminal
- a) Lift negative battery terminal off stud.
 - b) Isolate negative battery terminal.

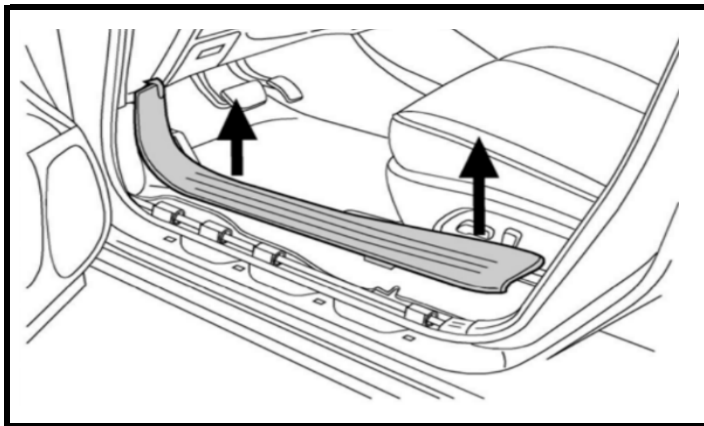
⚠ CAUTION

- Allow 3 min after negative terminal disconnect before separating any electrical connectors.



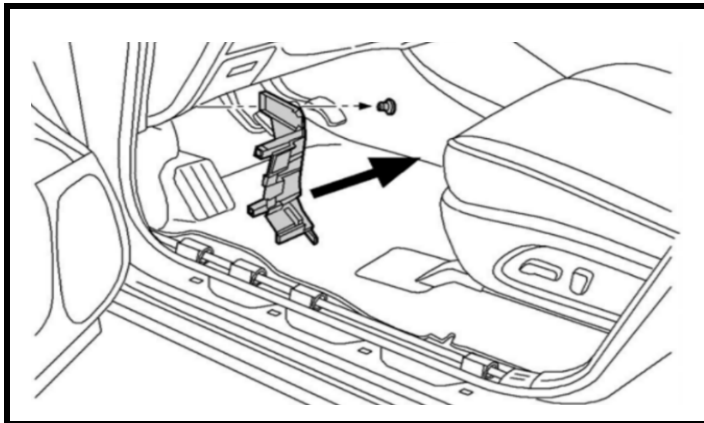
- 2.7) To prevent squeak and rattle, wrap labels (buzzer and harness label) around harness and secure

SECTION 3 - Trim Removal

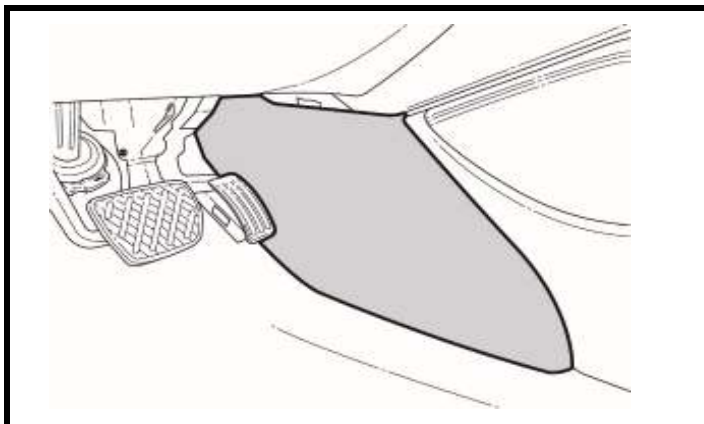


- 3.1) Remove Instrument Lower Cover LH (Driver
a) Use a trim stick to carefully pry off the trim panel along the bottom door seal from the seat to the footwell.

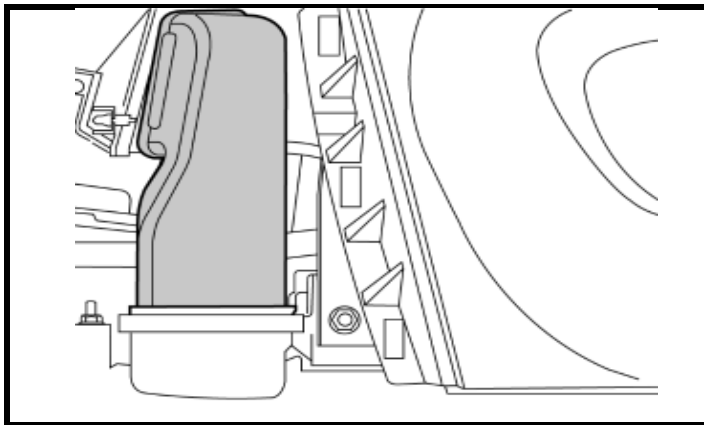
Note: Begin prying panel at the rear and work forward for easiest removal.



- 3.2) Remove Footwell Panel
a) Use a panel popper tool to remove one (1) trim clip. Use a trim stick to pry off the footwell trim panel.

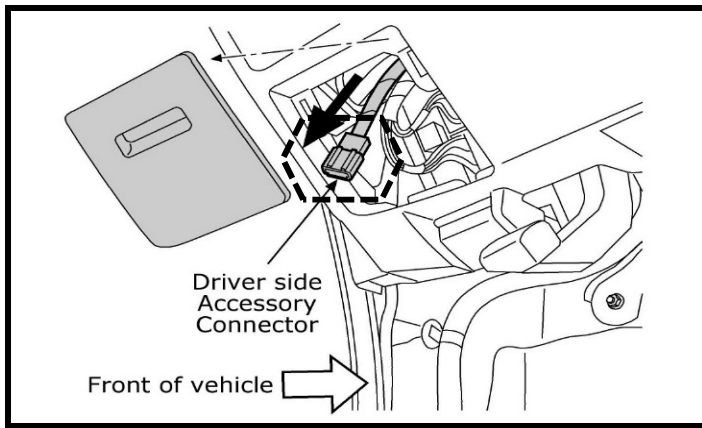


- 3.3) Remove Instrument Lower Cover LH.
a) Pull Instrument Side Mask outward to release retaining clips.



- 3.4) Remove LH Air Duct
a) Pull duct up and outwards to remove.

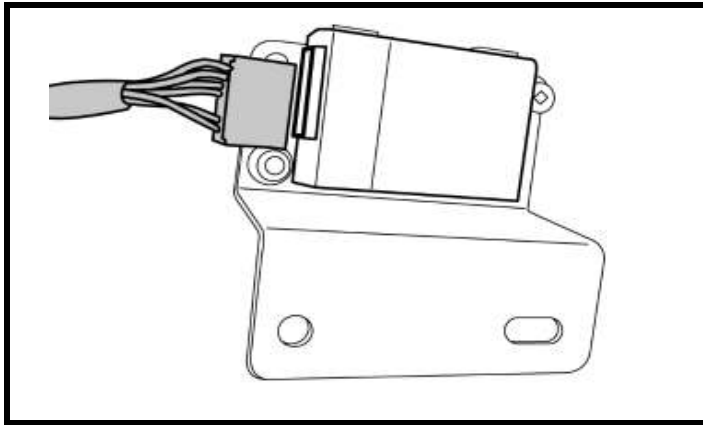
SECTION 3 - Trim Removal



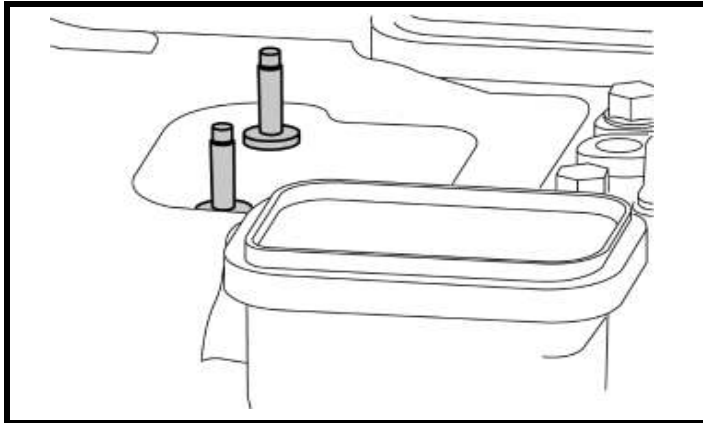
3.5) Locate D-Opt Connector

- a) Remove the fuse block access panel from the left side of the dash. Locate the driver side Accessory Connector plug. It will be located up under the dash to the right of the fuse block. Carefully pull the plug out for easier access.

SECTION 4 - Harness Routing

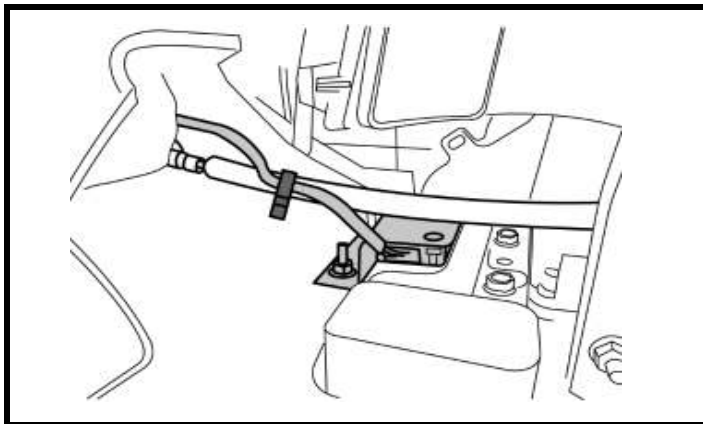


4.1) Connect Impact Sensor Harness to Impact Sensor Module.



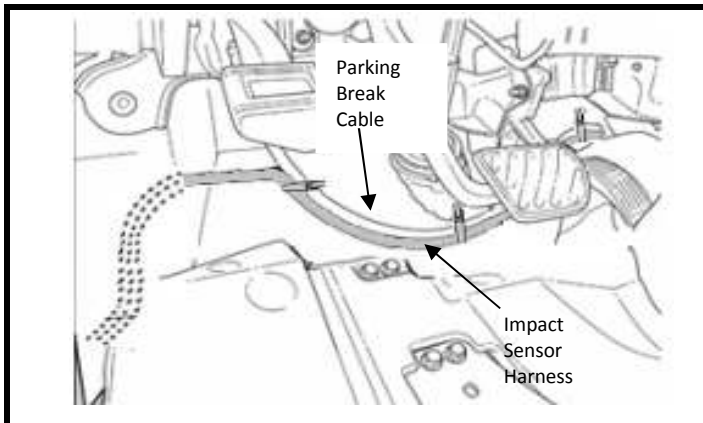
4.2) Locate Studs

- a) Locate the two studs that bracket will be mounted to. Studs are located behind the previously removed air duct, underneath the radio stack.



4.3) Mount Impact Sensor Bracket

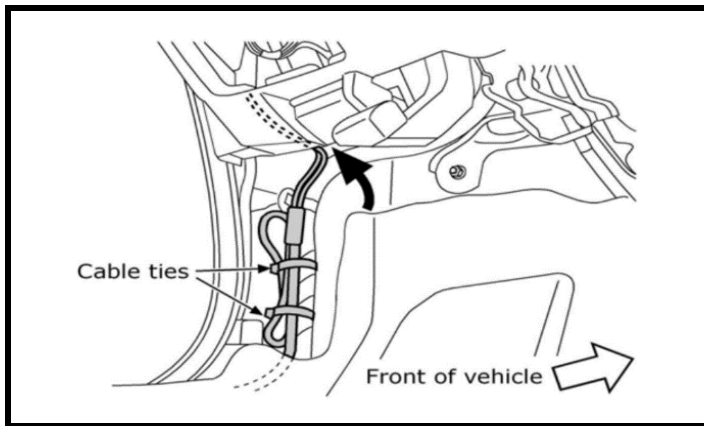
- a) Using two nuts that were included in the kit, mount the impact sensor brack to the two studs located in previous step.
- b) Torque nuts down to studs using between 8 and 12 n-m of force.
- c) Route Harness Along parking break cable, use zip tie to secure to parking break cable.



4.4) Route Impact Sensor Harness

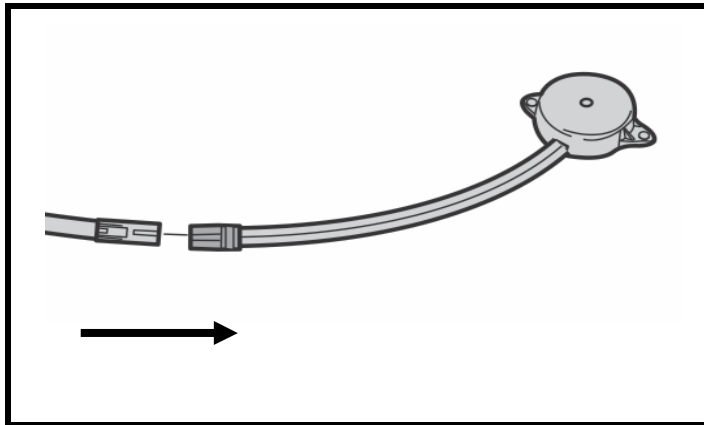
- a) Route Harness from bracket to service connector along the parking break cable.
- b) Secure harness to parking break cable with zip ties, as shown.

SECTION 4 - Harness Routing



4.5) Route Harness

- a) Route Harness up along existing harness by LH DASH SIDE FINISHER. Bundle and secure any excess harness with cable ties.



4.6) Connect Buzzer to Impact Sensor Harness.


CAUTION

The Accessory Service Connector (AAA) is for use only with Genuine Nissan or Nissan-Approved accessories. Nissan/Infiniti is not liable for loss or damage due to improper installation or installation of non-Genuine or non-Approved accessories.

Accessory Service Connector



AAA

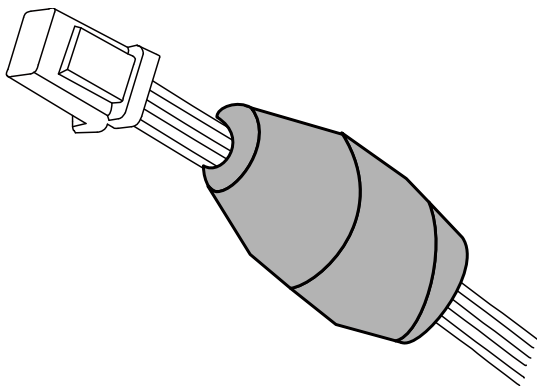
- 5.1) Connect ASC (AAA) to Impact Sensor Module
- For detailed directions, see Appendix A - Posi-Tap Procedure.
 - Additional circuit information is in Appendix B - Mechanization Drawing.

- 5.2) Connect ASC (AAA) to Impact Sensor
- Using a Posi-Tap, connect the BLACK Impact Sensor lead wire to the "GND" (BLACK wire) of the ASC (AAA) as shown.
 - Using a Posi-Tap, connect the Red Impact Sensor lead wire to the "BAT" (WHITE wire) of the ASC (AAA) as shown.
 - Using a Posi-Tap, connect the Pink Impact Sensor lead wire to the "BAT SAVER" (PINK) of the ASC (AAA) as shown.
 - Using a Posi-Tap, connect the GREEN Impact Sensor lead wire to the "FR DOOR SW" (LT GREEN wire) of the ASC (AAA) as shown.
 - Using a Posi-Tap, connect the WHITE Impact Sensor lead wire to the "ACC" (PURPLE wire) of the ASC (AAA) as shown.

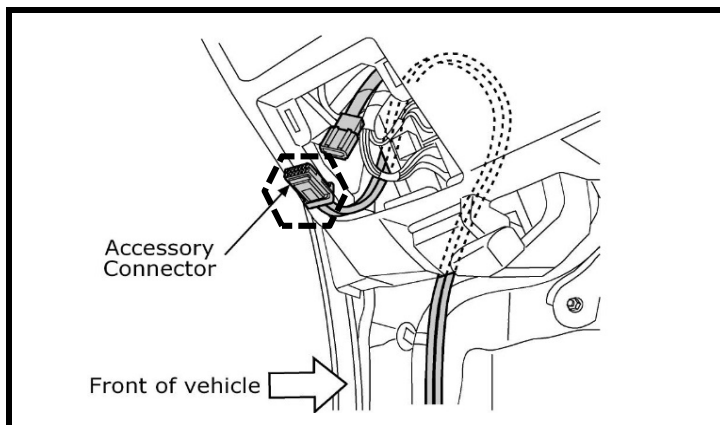
Posi Tap



- 5.3) Connect ASC (AAA) to Impact Sensor
- Once the ASC is prepared as described in Appendix A, Impact Sensor harness with ASC attached should look like this.

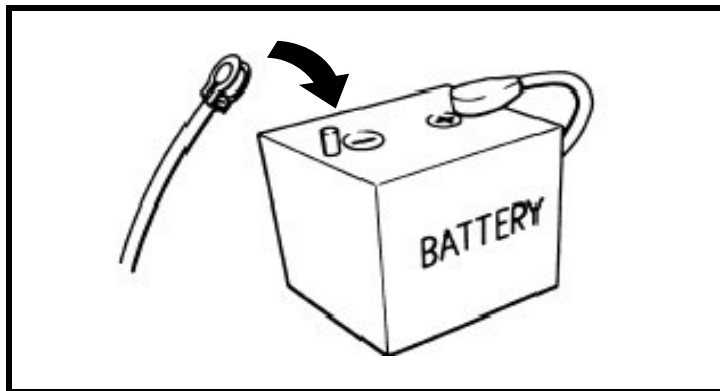


SECTION 5 - Accessory Service Connector



- 5.4) Connect ASC (AAA) to Impact Sensor Module
- To prevent any possible noise or rattle issues, use Foam Tape to wrap pre-taped Posi-Taps™.

D-Opt Connector



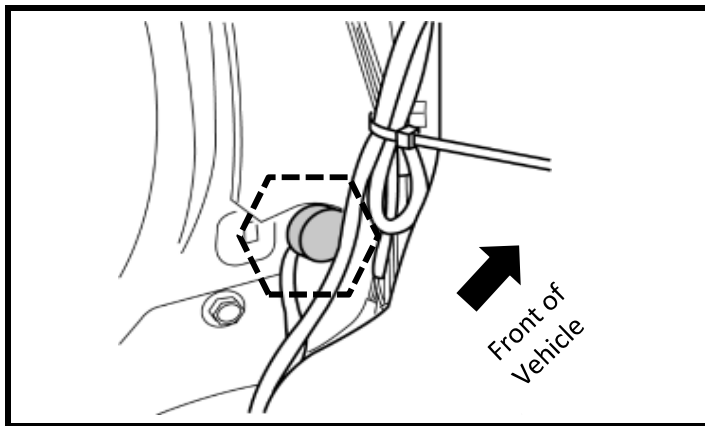
- 5.5) Electrical function check
- Re-connect negative battery cable.
 - Turn IGNITION ON.
 - Ensure vehicle is in well lit area.

5.6) Electrical function check

- Sit inside the vehicle driver seat with all doors closed.
- Turn IGN ON (NOT ACC)
- Turn IGN OFF
- OPEN driver front door.
- Close Driver front door (Remain inside the vehicle)
- Lock the vehicle using the key fob.
- Wait 1 Minute.
- Lightly tap the module and confirm the horn chirps. (increase the impact if horn does not sound)
- Confirm that the vehicle alarm is triggered.
- Unlock the vehicle to deactivate alarm.
- Confirm that the vehicle alarm is triggered.
- Turn IGN ON and confirm the buzzer twice.
- Turn IGN OFF.

CAUTION

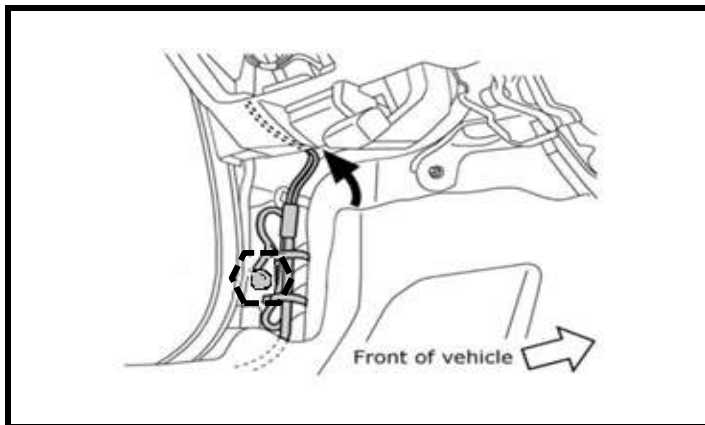
When diagnosing electrical system problems, first disconnect the accessory connectors and note effect on vehicle system. Continue the investigation with the accessory connectors disconnected. Reconnect when the investigation is complete.



6.1) Secure Buzzer to A Pillar.

- a) Remove adhesive from back of buzzer and secure buzzer to the lower instrument panel.

Buzzer



6.2) Secure Buzzer to A Pillar

Buzzer

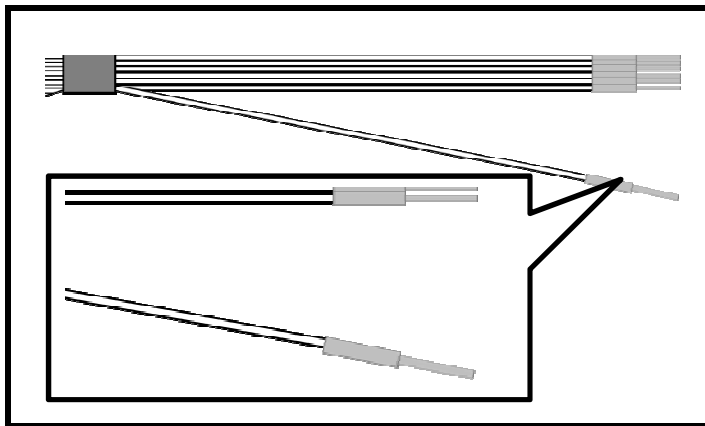


 **CAUTION**

Take care not to scratch or damage any component during the removal or re-installation process. Trim pieces found to have witness marks or broken clips should be replaced with new parts.

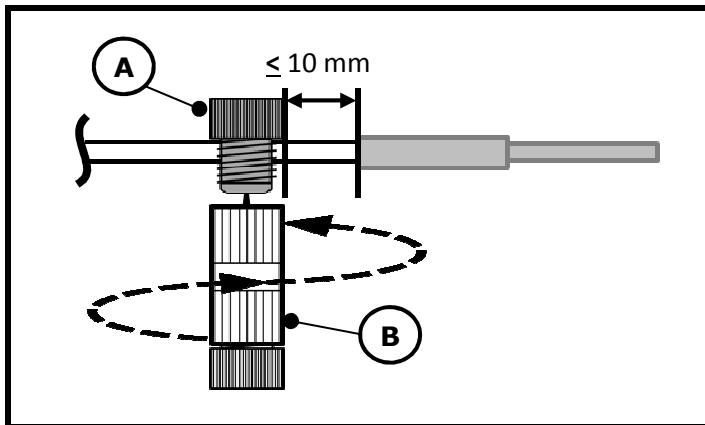
6.3) Complete checklist:

- Tighten battery terminal nut to 5.4 N-m.
- Verify re-installed trim parts for proper fit (no gap, waviness, etc.), particularly the door sill weather strip.
- Verify all windows and sunroof (if equipped), one touch operation and perform the reset procedure if necessary. Refer to the vehicle Service Manual for more details.
- Re-program radio presets and other vehicle settings to the recorded settings if necessary.
- If this vehicle will be returned to a dealer lot or showroom for an extended period of time, be sure the extended storage switch is placed in the Transit position.
- Remove all tools, templates, and other debris from interior of vehicle.
- Verify vehicle headliner, seat, steering wheel, center console, carpet, etc. are not soiled.
- Verify interior and exterior are not damaged.



A.1) Installing Posi-Tap™ on Accessory Service Connector (AAA)

- a) Identify and confirm ASC wire to be tapped. Check color as well as connector location.
- b) Separate wire from rest of bundle.

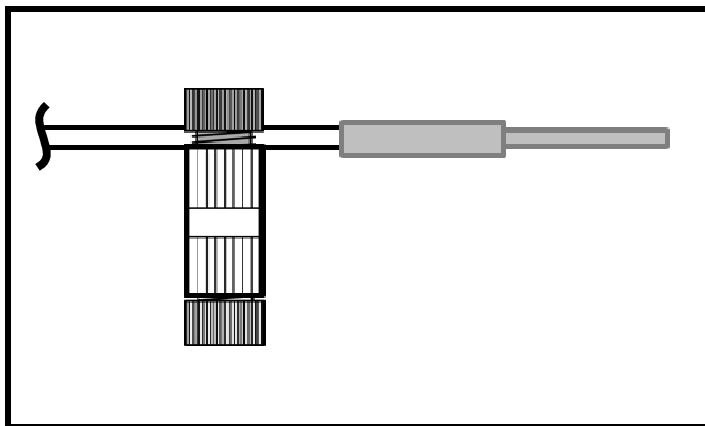


A.2) Installing Posi-Tap™ on ASC (AAA)

- a) Remove pierce cap (A) gray side from tap
- b) Slide cap around single wire to be tapped
- c) Position cap $\le 10\text{ mm}$ away from heat shrink end of connector
- d) Turn tap (B) clockwise until finger "tight". Then secure to cap (A) with another $\frac{1}{4}$ turn.

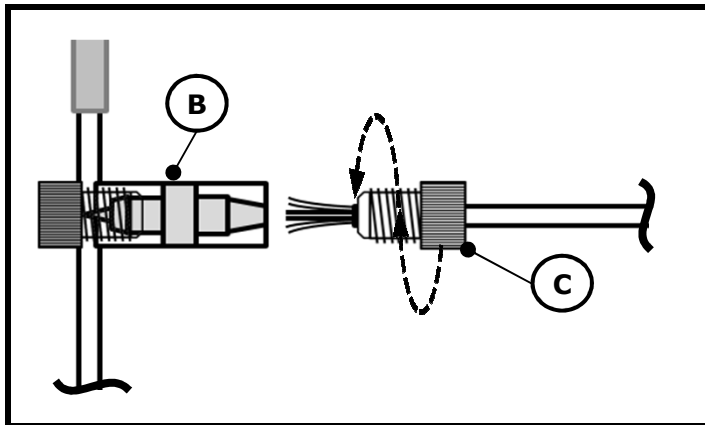
CAUTION

Do not overtighten Posi-Tap, it may damage wire



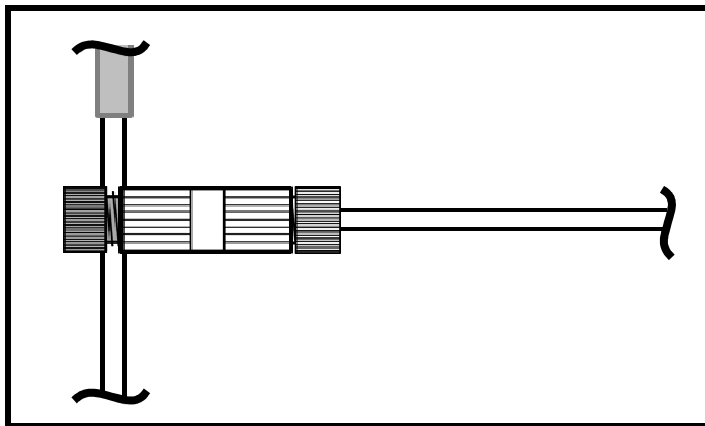
A.3) Installing Posi-Tap™ on ASC (AAA)

- a) Inspect Posi-Tap™ to ensure correct installation.
- b) Wire jacket should be crushed enough to maintain pressure.
- c) Confirm tap cap gap is straight and evenly spaced around perimeter.



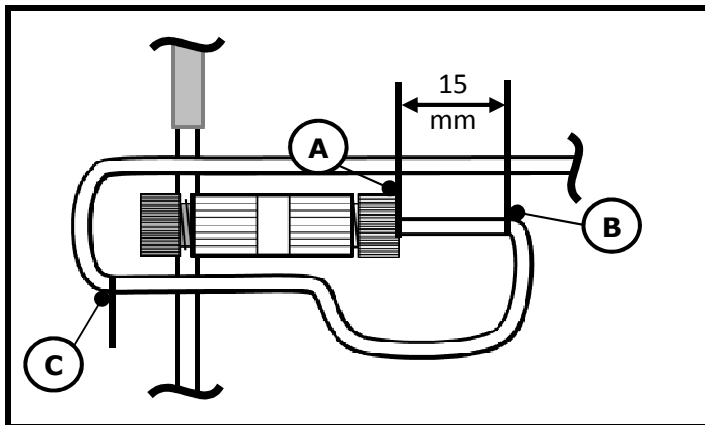
A.4) Installing Accessory wire into Posi-Tap™

- a) Remove tap bottom (C) red side from tap body (B).
- b) Remove the pre cut insulation from correct Accessory wire.
- c) Insert wire through tap bottom (C) opening.
- d) Fan out individual wire strands as shown.
- e) Insert wire into tap body until it bottoms out.
- f) Turn tap bottom (C) clockwise until finger "tight". Then secure to tap body (B) with another $\frac{1}{4}$ turn.



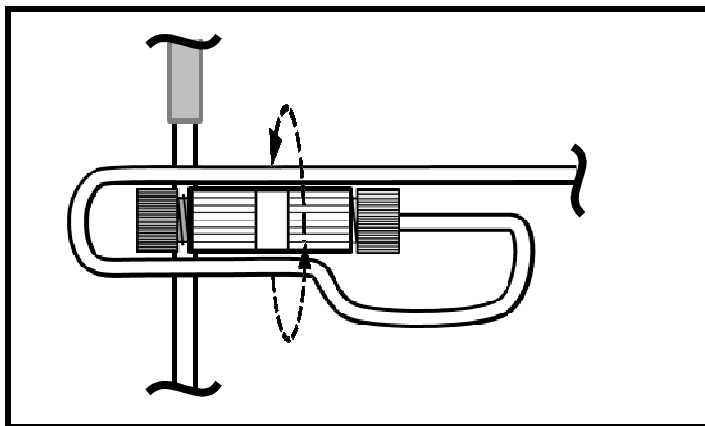
A.5) Installing accessory wire into Posi-Tap™

- a) Confirm tap bottom gap is straight and evenly spaced around perimeter
- b) Gently pull on wire to confirm secure connection.



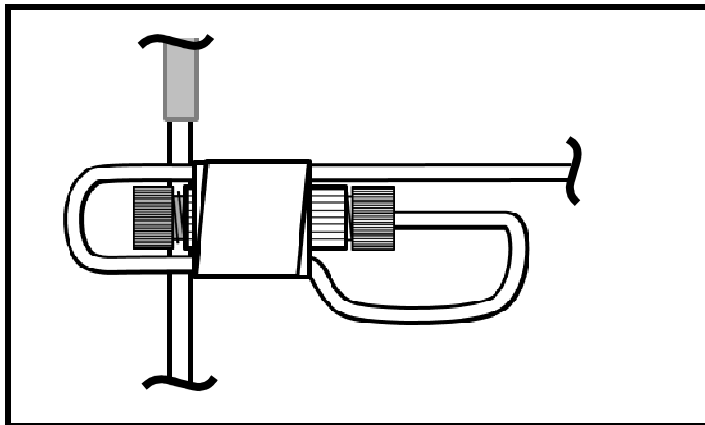
A.6) Accessory wire strain relief

- a) Measure ≥ 15 mm from point (A).
- b) Gently form a loop at point (B) and bend back up towards Posi-Tap™ (bend radius ≥ 10 mm).
- c) Gently form a loop at point (C) and bend back over top of Posi-Tap™ and down opposite side (bend radius ≥ 10 mm).



A.7) Accessory wire strain relief

- a) Secure accessory wire strain relief to tap body with electrical tape (≥ 2 revolutions).

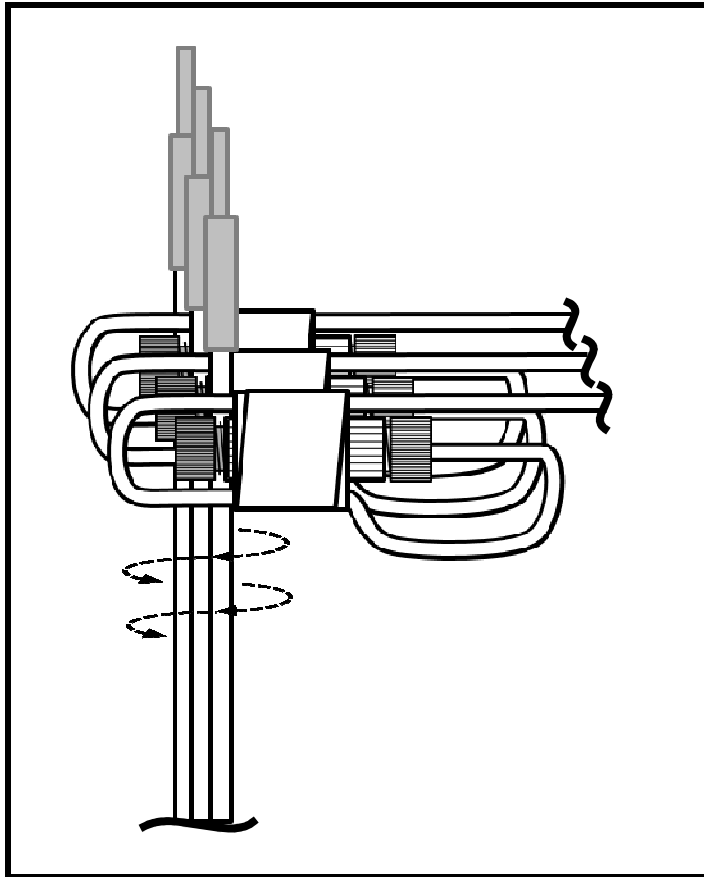


A.8) Accessory wire strain relief

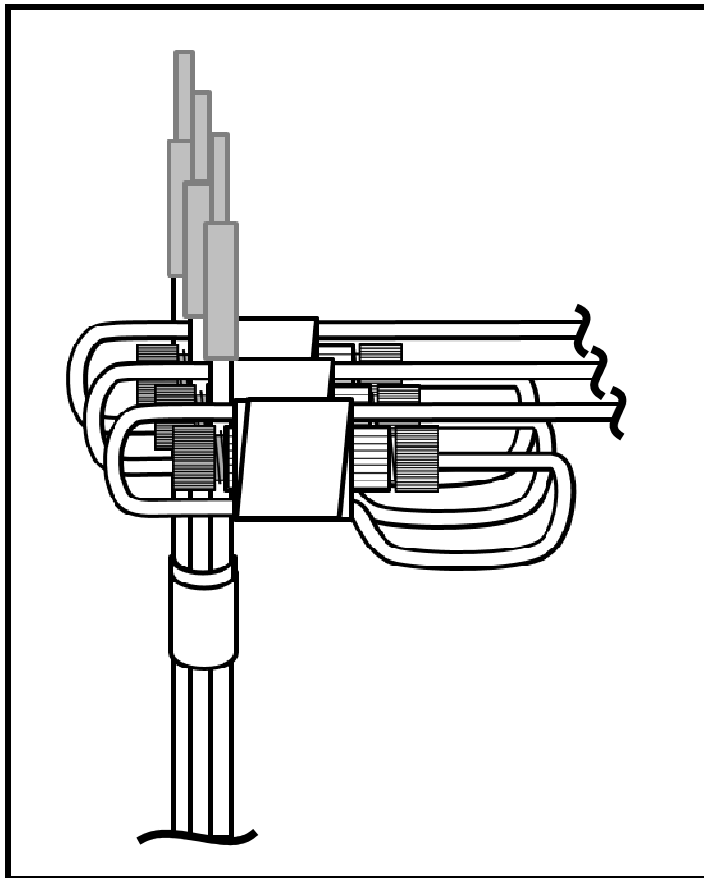
- a) Once accessory wire strain relief is taped to tap body, it should look as shown.

A.9) Accessory wire strain relief

- a) Repeat steps A.1 - A.8 for all other wires requiring a Posi-Tap™.

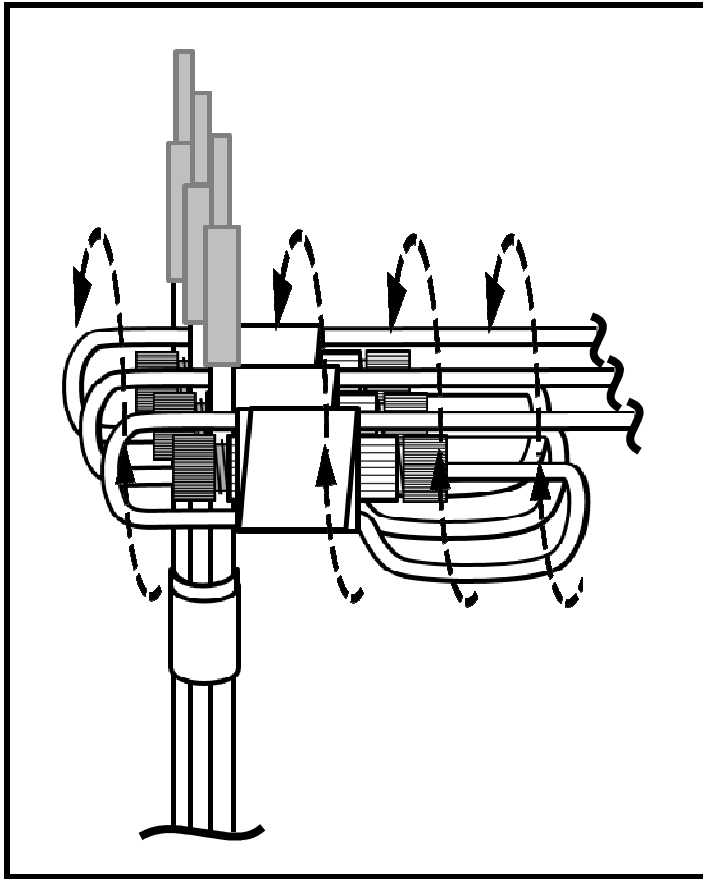


- A.10) Securing multiple Posi-Taps™ together
- a) Stack Posi-Taps™ in slightly staggered fashion as shown.
 - b) Secure tapped circuits together with electrical tape (≥ 2 revolutions).

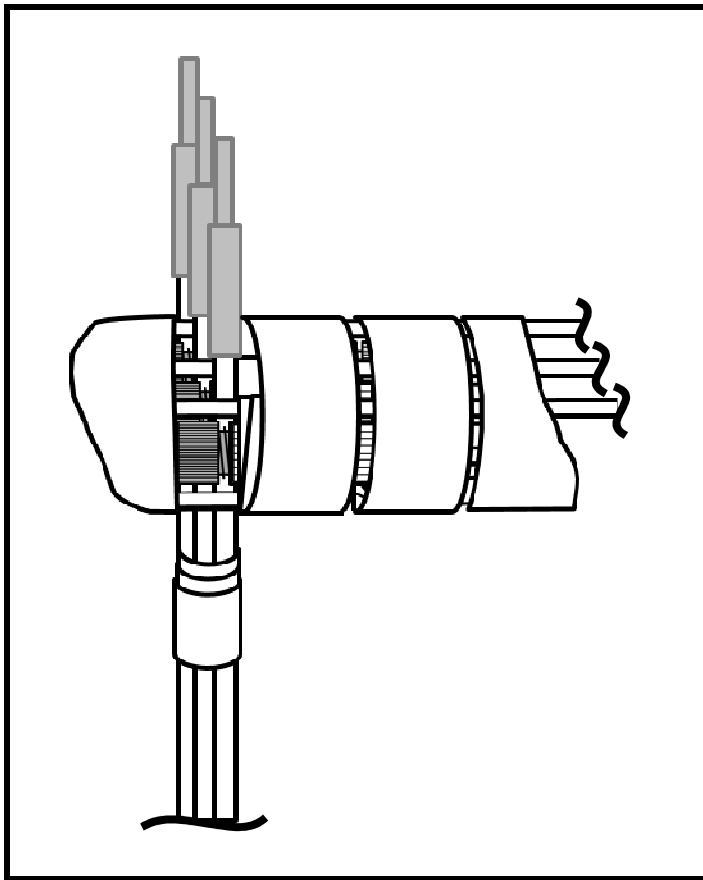


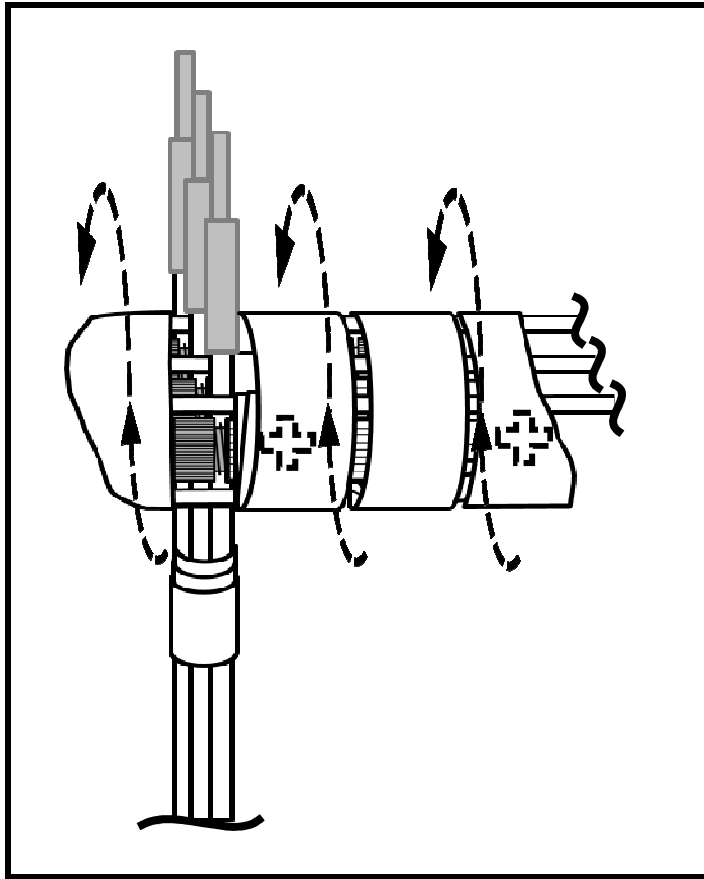
- A.11) Securing multiple Posi-Taps™ together
- a) Once tapped circuits are secured together with electrical tape they should look as shown.

- A.12) Securing multiple Posi-Taps™ together
a) Secure Posi-Taps™ together with electrical tape (≥ 4 revolutions).



- A.13) Securing multiple Posi-Taps™ together
a) Once Posi-Taps™ are secured together with electrical tape they should look as shown.

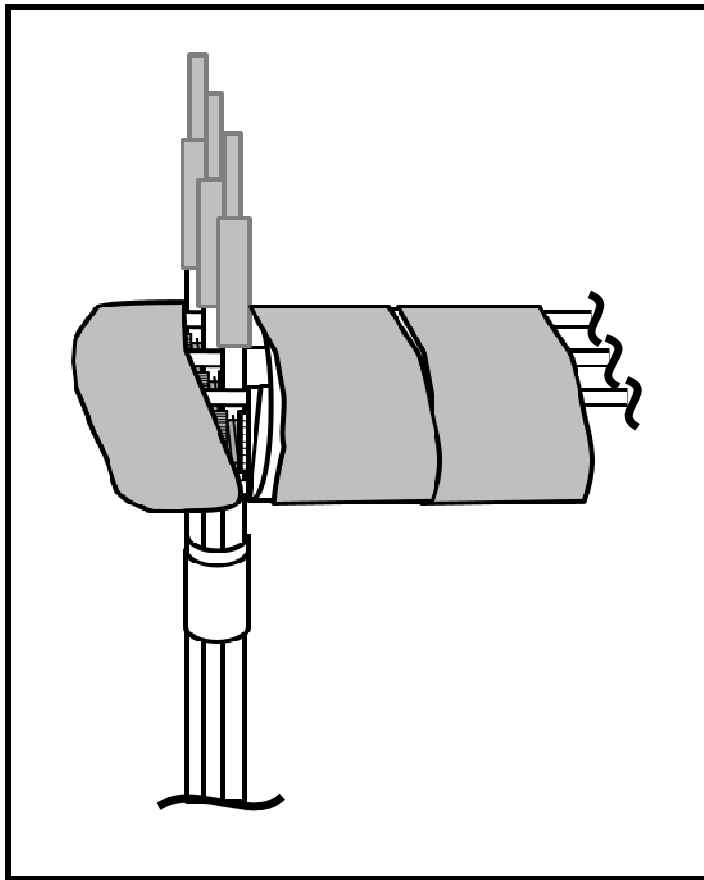




A.14) Securing multiple Posi-Taps™ together

- a) To prevent any possible noise or rattle issues, use two pieces of Foam Tape, Gray (H) to wrap pre-taped Posi-Taps™.

Foam Tape, Gray (H)

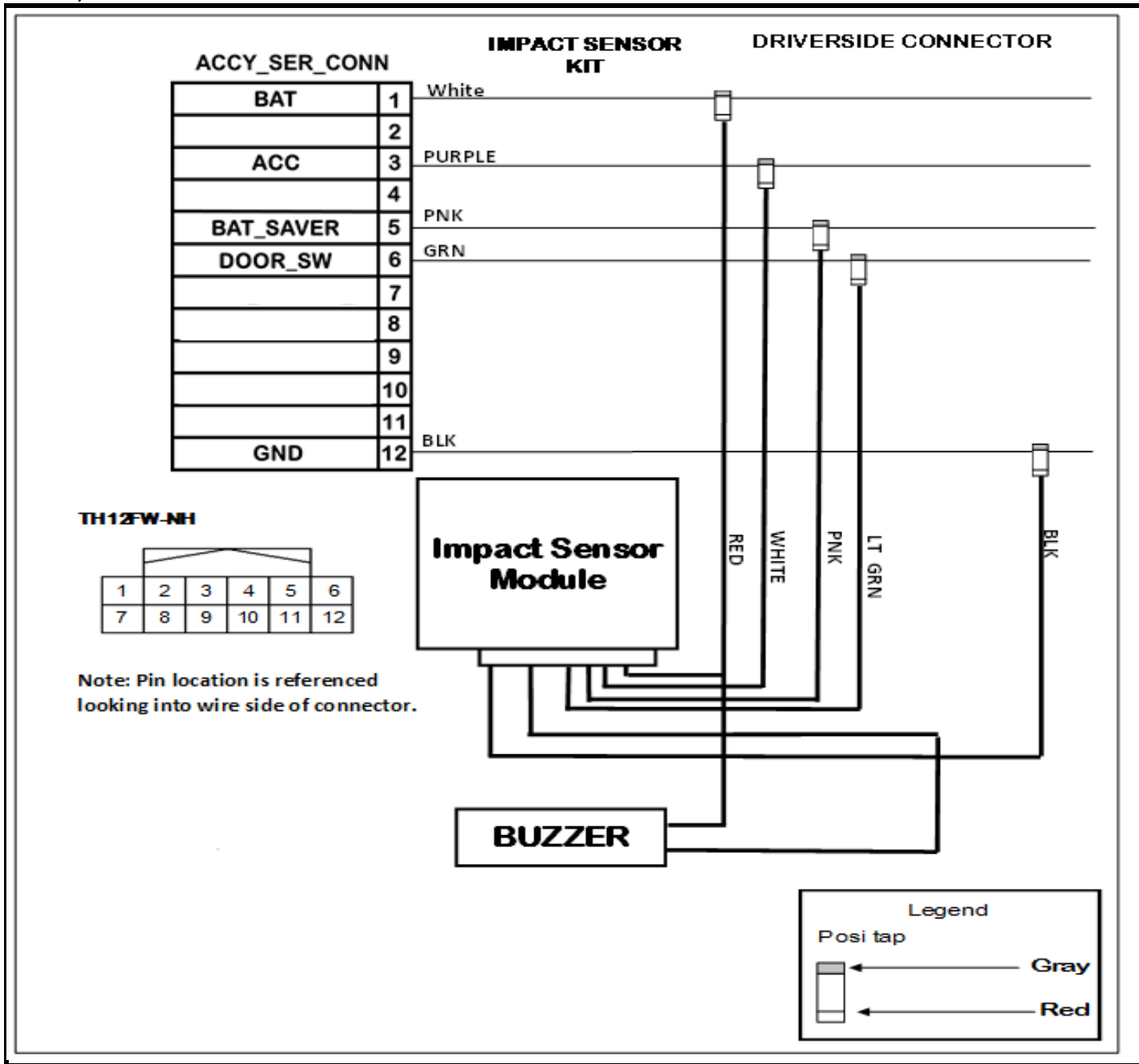


A.15) Securing multiple Posi-Taps™ together

- a) Once wrapped with Foam Tape, Gray (H), taped Posi-Tap™ bundle should look as shown.

APPENDIX B - Mechanization Drawing

B.1)



CONNECTOR PN#	999Q9 AY001/T99F6 4RA0A	LEGEND
CONNECTOR NAME	ACCESSORY SERVICE CONNECTOR	
CONNECTOR COLOR	WHITE	
UNIT		POSI-TAP
		<p>GRAY - CIRCUIT TAP (PIERCE) SIDE</p> <p>RED - ACCESSORY (INSERT) SIDE</p>
		Note: Pin location is referenced looking into harness side of connector with lock tab oriented as shown.

Page Intentionally Left Blank