



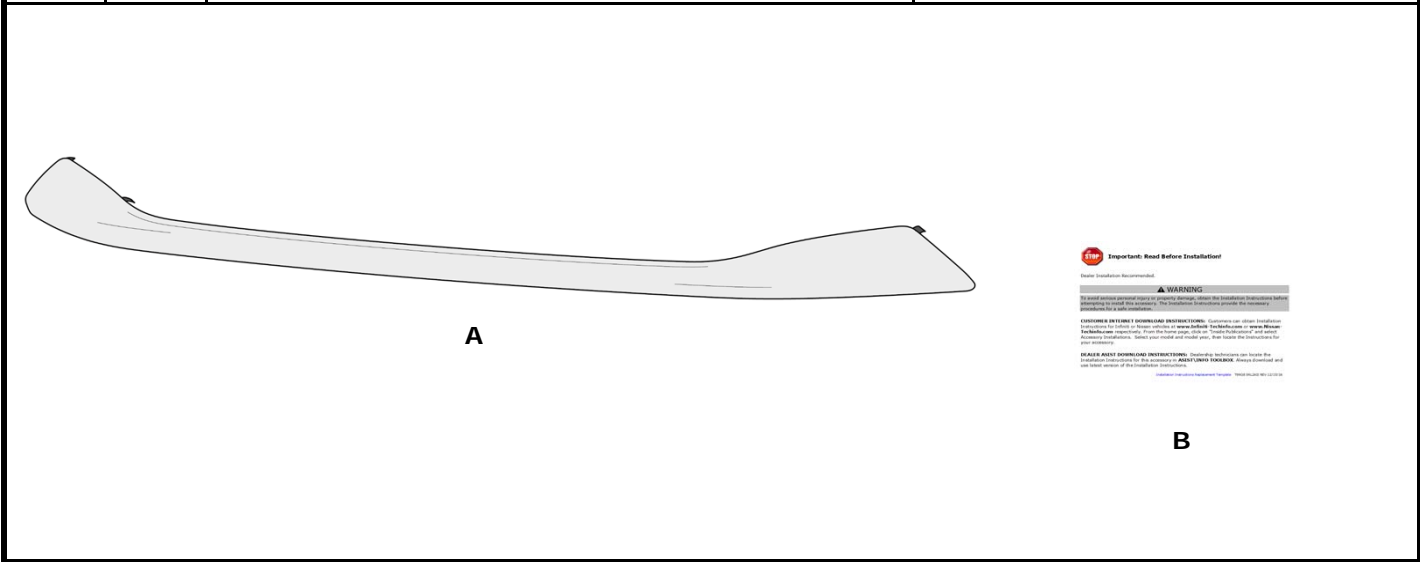
GENUINE PARTS

INSTALLATION INSTRUCTIONS

DESCRIPTION:	Front Lip Finisher
APPLICATION:	KICKS
PART NUMBER:	T99J3 5RL0x

KIT CONTENTS:

Item	Qty.	Part Description	Service Part Number
A	1	Front Lip Finisher	---
B	1	Instruction Replacement Template	---



- TOOLS REQUIRED:**
- 90% or greater Isopropyl Alcohol
 - Masking Tape
 - Clean, lint-free towel

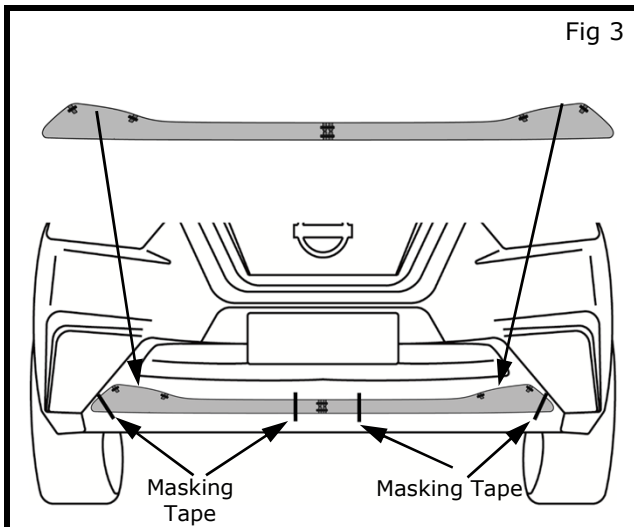
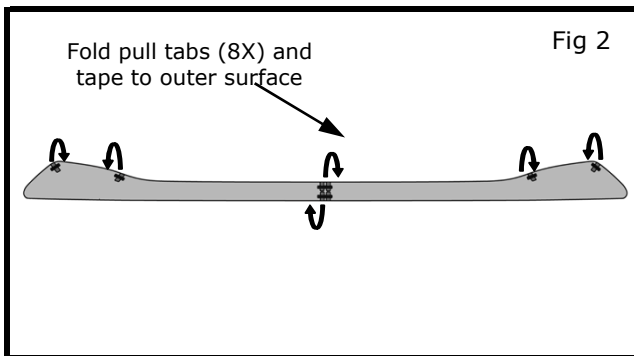
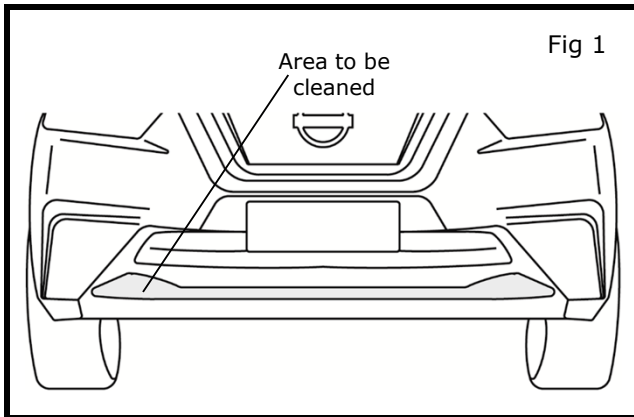
- PRE-INSTALLATION WARNINGS, CAUTIONS, CRITICAL STEPS, and NOTES:**
- Read the installation sheet and check the entire kit for possible damage or defects before performing any work.
 - Dry fit all parts to become familiar with proper placement.
 - Dealer installation recommended. Instructions may refer to service manual.

CAUTION

- Do not touch the tape side with your fingers to avoid contaminating the tape and reducing adhesion strength.
- These parts are to be installed when the ambient temperature is between 60°F - 110°F (16°C - 43°C).
- Do not wash or expose the vehicle to a wet environment for 24 hours after installing the Front Lip Finisher.
- Install the Front Lip Finisher in the correct position only after the alcohol has dried.
- The tape will set in 15-20 seconds after the installation.
- Do not reposition the Front Lip Finisher once the tape has started to set/adhere to vehicle.

INSTALLATION INSTRUCTIONS - Front Lip Finisher

INSTALLATION PROCEDURE:



CAUTION

Do not touch vehicle plastic parts including tail lamp lenses with isopropyl alcohol to avoid potential damage.

- 1) Clean the area to be covered with the Front Lip Finisher by using alcohol on a clean lint-free towel. (Fig. 1)
- 2) Use a new section of towel as you move from area to area. Allow to dry for at least 2 minutes.

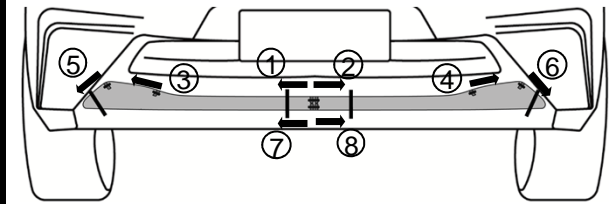
NOTE: Always dry fit parts to ensure proper fit and location.

- 3) Fold each pull tabs over top of Finisher (A) and tape to outer surface. (Fig. 2)
- 4) Position the Finisher (A) on the vehicle bumper, align top edge of part parallel to edge of bumper.
- 5) Secure the Finisher (A) with masking tapes as shown.
- 6) Adjust tape and Finisher (A) as needed to assure proper location, with even spacing from edge of Finisher (A) to edge of bumper.

INSTALLATION INSTRUCTIONS - Front Lip Finisher

Tape removal sequence and direction

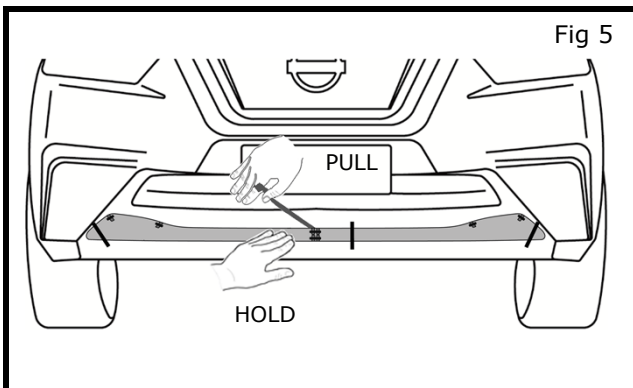
Fig 4



7) Remove each tape liner (See picture for order).

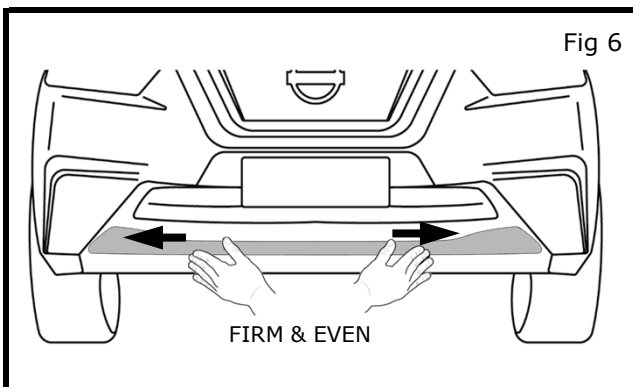
8) Pull each tape liner upward to remove with tape removal sequence, follow arrow directions.

Fig 5



9) When liner reaches the masking tape, apply light pressure to Finisher (A) to tack in proper position, remove the upper portion of the masking tape and remove remaining tape liner.

Fig 6



10) Remove masking tapes.

11) Apply firm and even pressure across the Finisher (A) surface. Start at center and work toward each end 3 times to ensure adequate adhesion.