



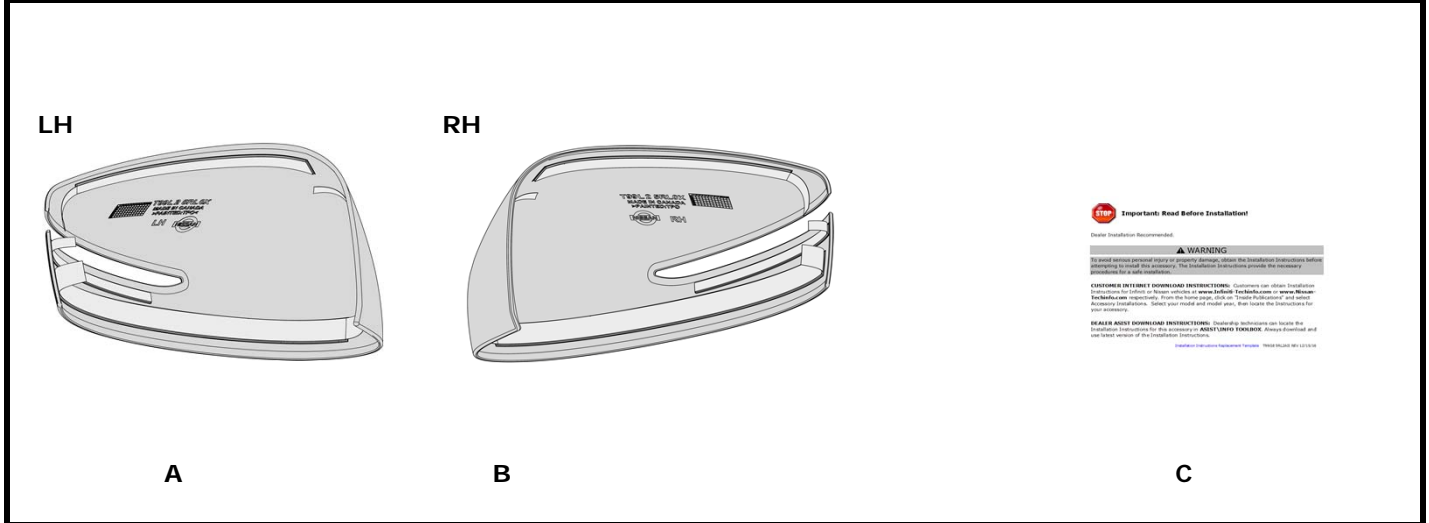
GENUINE PARTS

INSTALLATION INSTRUCTIONS

| | |
|---------------------|-----------------------------|
| DESCRIPTION: | Exterior Mirror Cover W/ TS |
| APPLICATION: | KICKS |
| PART NUMBER: | T99L2 5RL0x |

KIT CONTENTS:

| Item | Qty. | Part Description | Service Part Number |
|------|------|----------------------------------|---------------------|
| A | 1 | LH Exterior Mirror Cover W/ TS | --- |
| B | 1 | RH Exterior Mirror Cover W/ TS | --- |
| C | 1 | Instruction Replacement Template | --- |



Important: Read Before Installation!

Do not touch the adhesive side of the tape.

WARNING
Do not touch the adhesive side of the tape. Do not touch the adhesive side of the tape. Do not touch the adhesive side of the tape.

CAUTIONS (SEE USER'S DOWNLOADABLE INSTRUCTIONS): Consult the user's manual for information on the correct use of the tape. Do not touch the adhesive side of the tape. Do not touch the adhesive side of the tape.

READER ADDY DOWNLOAD INSTRUCTIONS: Consult the user's manual for information on the correct use of the tape. Do not touch the adhesive side of the tape. Do not touch the adhesive side of the tape.

- TOOLS REQUIRED:**
- 90% or greater Isopropyl Alcohol
 - Masking Tape
 - Clean, lint-free towel

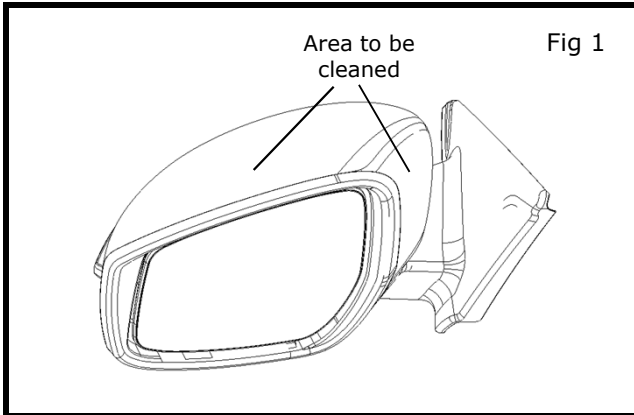
- PRE-INSTALLATION WARNINGS, CAUTIONS, CRITICAL STEPS, and NOTES:**
- Read the installation sheet and check the entire kit for possible damage or defects before performing any work.
 - Dry fit all parts to become familiar with proper placement.

CAUTION

- Do not touch the tape side with your fingers to avoid contaminating the tape and reducing adhesion strength.
- These parts are to be installed when the ambient temperature is between 60°F - 110°F (16°C - 43°C).
- Do not wash or expose the vehicle to a wet environment for 24 hours after installing the Exterior Mirror Cover.
- Install the Exterior Mirror Cover in the correct position only after the alcohol has dried.
- The tape will set in 15-20 seconds after the installation.
- Do not reposition the Exterior Mirror Cover once the tape has started to set/adhere to vehicle.

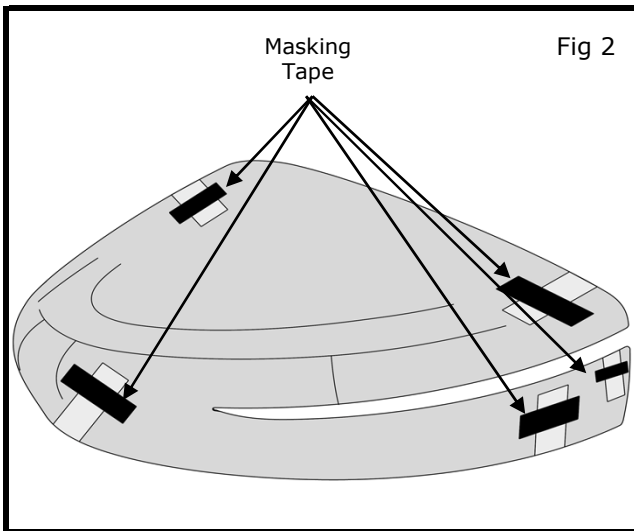
INSTALLATION INSTRUCTIONS - Exterior Mirror Cover

INSTALLATION PROCEDURE:

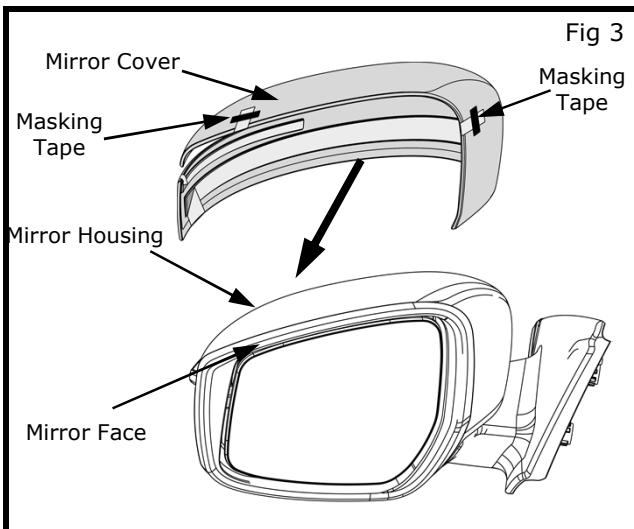


- 1) Clean the area to be covered with the Mirror Cover by using alcohol on a clean lint-free towel. (Fig.1)
- 2) Use a new section of towel as you move from area to area. Allow to dry for at least 2 minutes.

NOTE: Always dry fit parts to ensure proper fit and location.

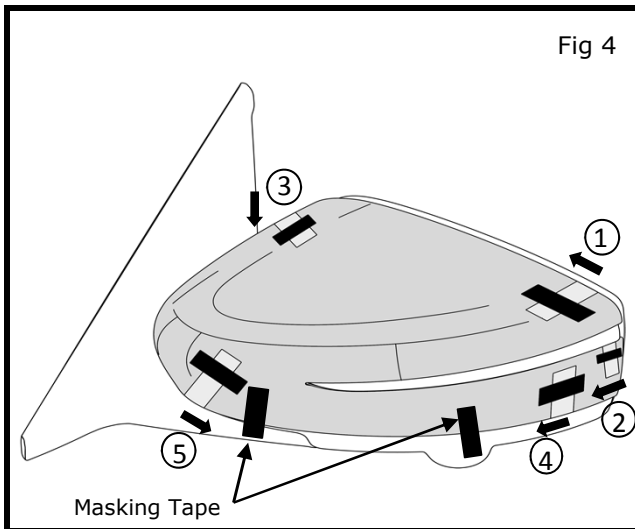


- 3) Fold pulling tabs and tape to outer surface of Mirror Cover (Fig.2).



- 4) Locate edge of Mirror Cover in relation to Mirror Housing and Mirror Face (Fig.3).

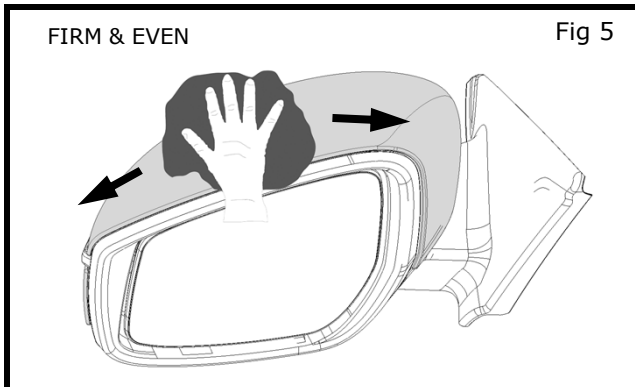
INSTALLATION INSTRUCTIONS - Exterior Mirror Cover



- 5) Once Mirror Cover is adjusted to correct position, secure Mirror Cover to Mirror Housing with masking tapes (Fig.4).
- 6) Hold Mirror Cover firmly in position and remove each tape liner following tape removal sequence. Follow arrow directions as shown (Fig.4).

NOTE: For tape liners (2) and (3), pull out lightly on bottom corner of Mirror Cover if liner is stretching and difficult to remove.

NOTE: Pull tape liner (4) to half way of tape length and then pull tape liner (5) from other end.



- 7) Remove masking tapes.
- 8) Apply firm and even pressure across Mirror Cover surface. Start at center and work toward each end 3 times to ensure adequate adhesion (Fig.5).
- 9) Repeat steps 1 to 8 for RH Mirror Cover.