



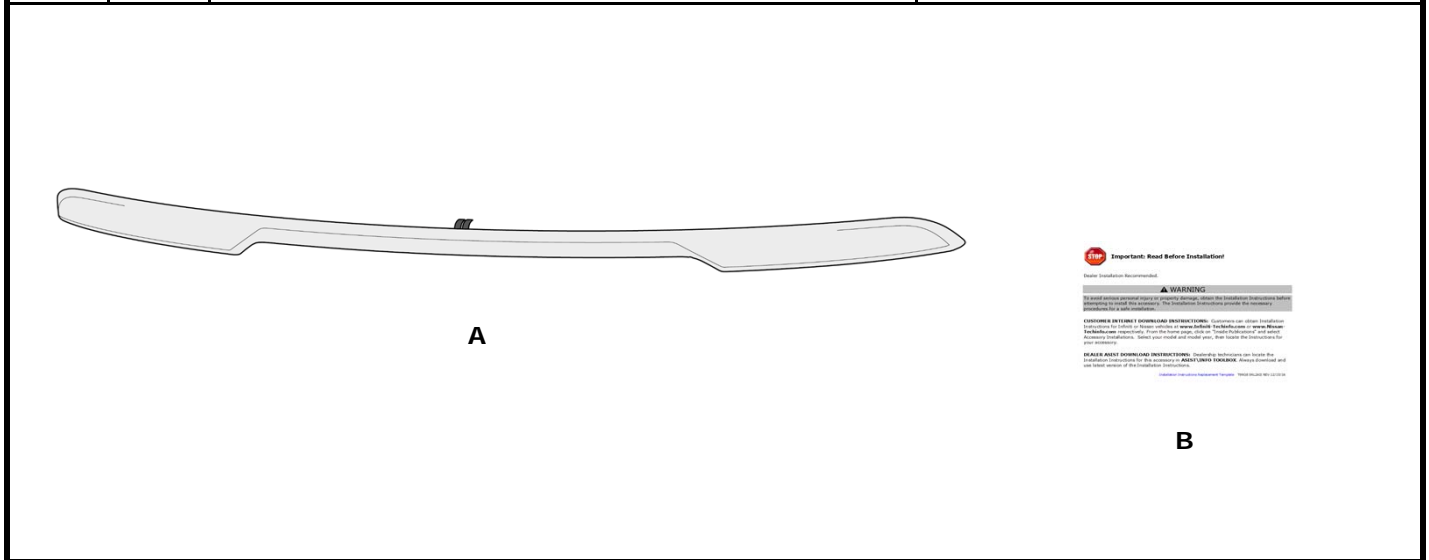
GENUINE PARTS

INSTALLATION INSTRUCTIONS

DESCRIPTION:	Rear Bumper Accent
APPLICATION:	KICKS
PART NUMBER:	T99G8 5RL6A/B/C/D/E/F

KIT CONTENTS:

Item	Qty.	Part Description	Service Part Number
A	1	Rear Bumper Accent	---
B	1	Instruction Replacement Template	---



- TOOLS REQUIRED:**
- 90% or greater Isopropyl Alcohol
 - Clean, lint-free towel
 - Tape

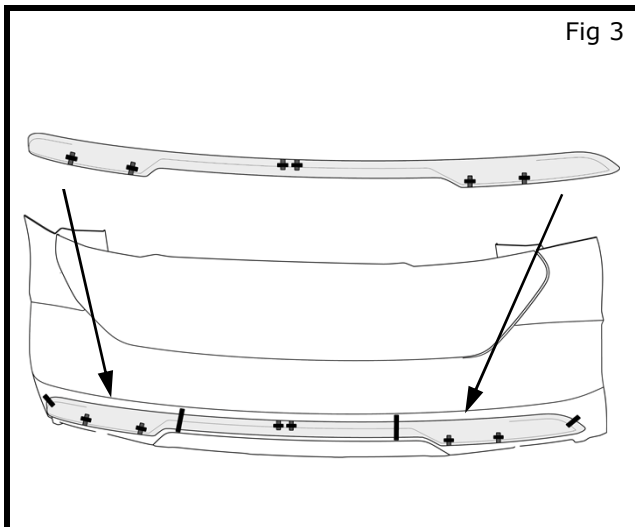
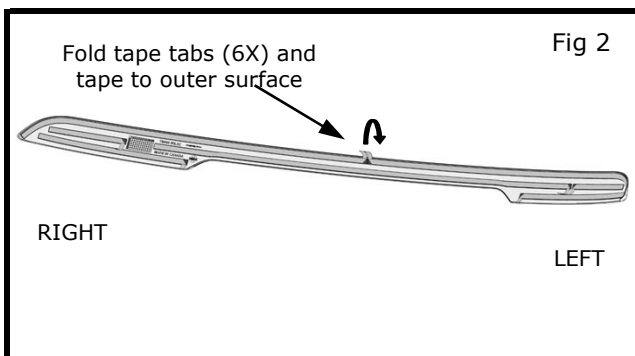
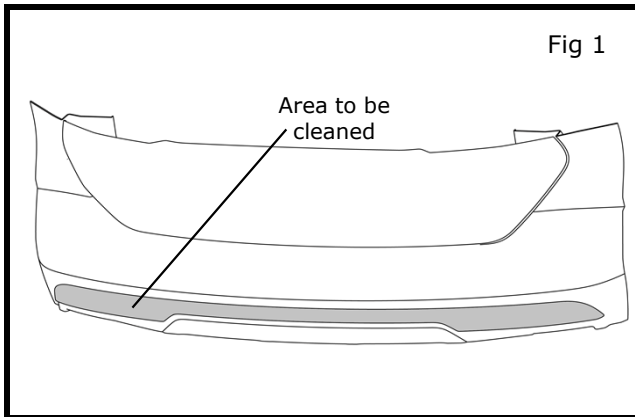
- PRE-INSTALLATION WARNINGS, CAUTIONS, CRITICAL STEPS, and NOTES:**
- Read the installation sheet and check the entire kit for possible damage or defects before performing any work.
 - Dry fit all parts to become familiar with proper placement.
 - Dealer installation recommended. Instructions may refer to service manual.

CAUTION

- Do not touch the tape side with your fingers to avoid contaminating the tape and reducing adhesion strength.
- These parts are to be installed when the ambient temperature is between 60°F - 110°F (16°C - 43°C).
- Do not wash or expose the vehicle to a wet environment for 24 hours after installing the Rear Bumper Accent.
- Install the Rear Bumper Accent in the correct position only after the alcohol has dried.
- The tape will set in 15-20 seconds after the installation.
- Do not reposition the Rear Bumper Accent once the tape has started to set/adhere to vehicle.

INSTALLATION INSTRUCTIONS - Rear Bumper Accent

INSTALLATION PROCEDURE:



CAUTION

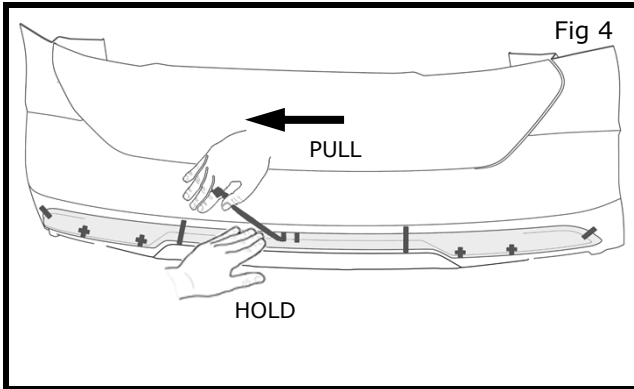
Do not touch vehicle plastic parts including tail lamp lenses with isopropyl alcohol to avoid potential damage.

- 1) Clean the area to be covered with the Rear Bumper Accent by using alcohol on a clean lint-free towel. (Fig. 1)
- 2) Use a new section of towel as you move from area to area. Allow to dry for at least 2 minutes.

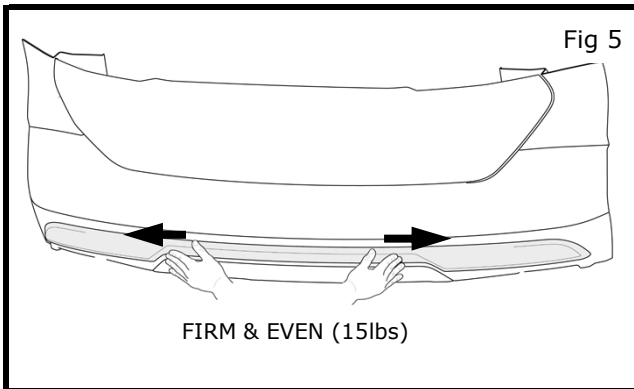
NOTE: Always dry fit parts to ensure proper fit and location.

- 3) Fold each tape tab over top of Accent (A) and tape to outer surface. (Fig. 2)
- 4) Position the Accent (A) on the vehicle bumper, align bottom edge of part parallel to edge of bumper.
- 5) Secure the Accent (A) with tape as shown.
- 6) Adjust tape and Accent (A) as needed to assure proper location, with even spacing from edge of Accent (A) to edge of bumper.

INSTALLATION INSTRUCTIONS - Rear Bumper Accent



- 7) Hold Accent (A) firmly in position and pull each tape liner upward to remove.
- 8) When liner reaches tape, apply light pressure to Accent (A) to tack in proper position, remove the upper portion of the tape and remove remaining tape liner.



- 9) Remove tapes.
- 10) Apply firm and even pressure of 15lbs. across the Accent (A) surface. Start at center and work toward each end 3 times to ensure adequate adhesion.