



GENUINE PARTS

INSTALLATION INSTRUCTIONS

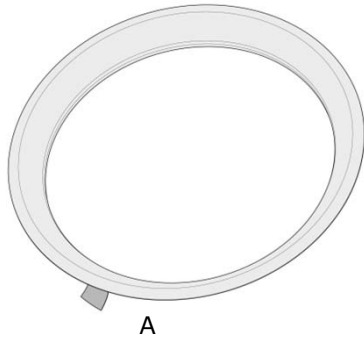
DESCRIPTION: Air Vent Ring Appliques

APPLICATION: KICKS

PART NUMBER: T99G3 5RL0x

KIT CONTENTS:

Item	Qty.	Description
A	2	Air Vent Ring
B	1	Alcohol wipe
C	1	Instruction Replacement Template



B

C

TOOLS REQUIRED:

- Masking tape

PRE-INSTALLATION WARNINGS, CAUTIONS, CRITICAL STEPS, and NOTES:

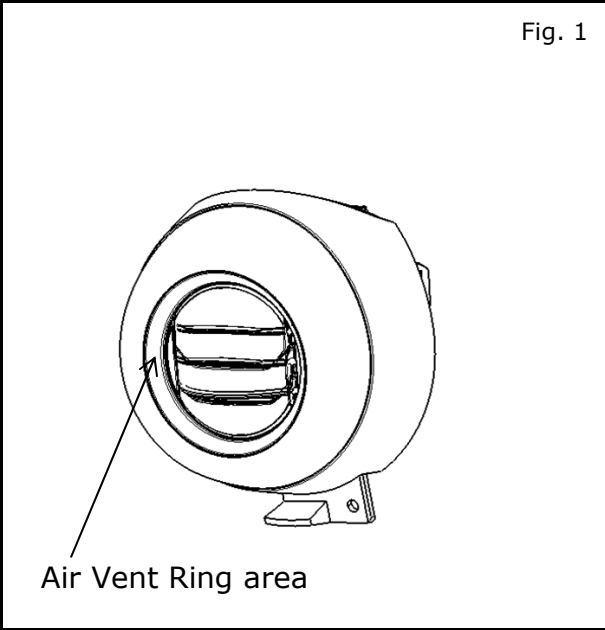
- Read the installation sheet and check the entire kit for possible damage or defects before performing any work.
- Always dry fit parts before removing the adhesive liners to ensure proper fit, alignment, and component location. Kit contents are labeled to indicate proper location.

CAUTION

- Do not touch the tape side with your fingers to avoid contaminating the tape and reducing adhesion strength.
- These parts are to be installed when the ambient temperature is between 60°F - 80°F, (16°C - 26 °C).
- Do not wash or expose the vehicle to a wet environment for 24 hours after installing the Air Vent Ring Appliqué.
- The tape will set in 15-20 seconds after the installation.
- Do not reposition the appliqué once the tape has started to set/adhere to vehicle.

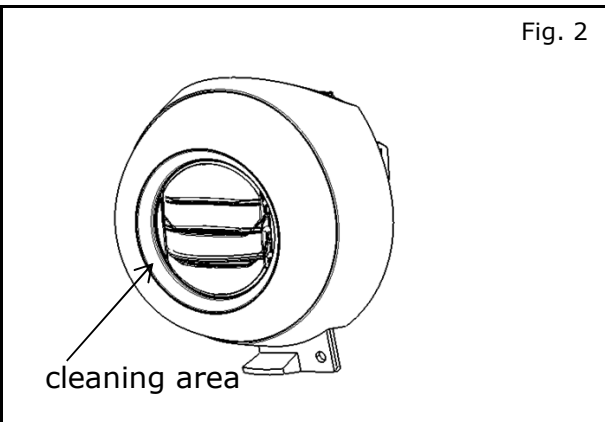
INSTALLATION PROCEDURE:

Fig. 1



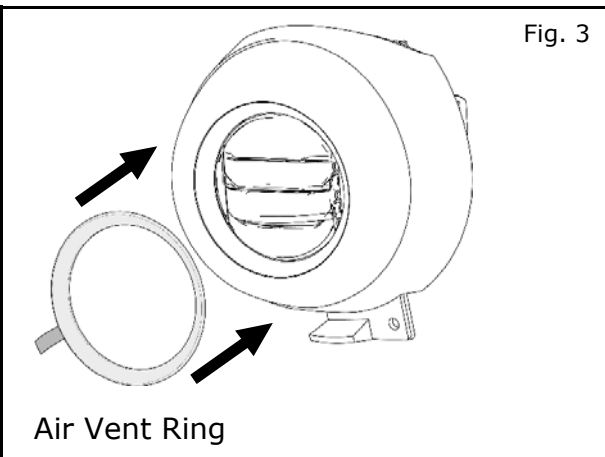
- 1) Try fit part before removing the adhesive liner to establish correct part orientation.

Fig. 2



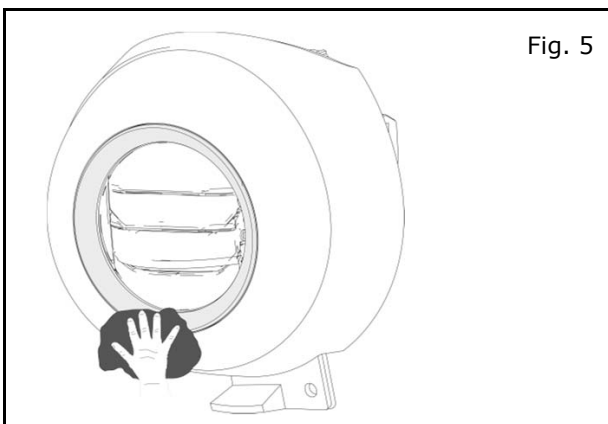
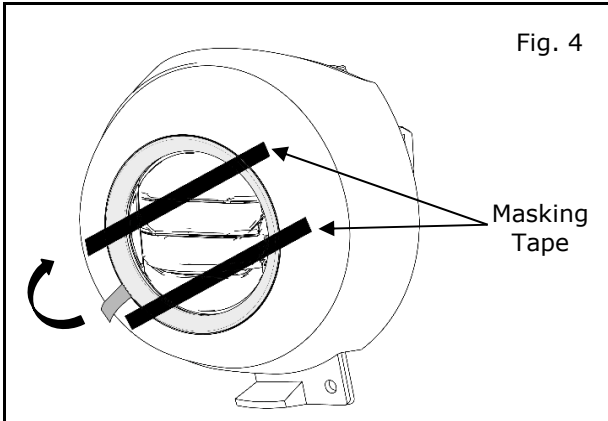
- 2) Use an alcohol wipe to clean the area of the vehicle where this appliqué is to adhere. (Fig. 2)

Fig. 3



- 3) Carefully and lightly place part in position by dropping it straight down. (Fig. 3)

INSTALLATION PROCEDURE:



- 4) Secure the Air Vent Ring (A) with masking tapes as shown (Fig.4).
- 5) Pull the tape liner to clockwise direction, remove the masking tape when the tape liner is passing over masking tape.
- 6) Remove masking tapes.
- 7) Once Air Vent ring - RH is adjusted to the correct position, use clean towel and apply firm and even pressure over entire surface, for at least 30 seconds. (Fig. 5)
- 8) Repeat steps 1 to 7 for LH Air Vent ring.

FINAL INSPECTION:

- Verify vehicle parts are not soiled.
- Verify interior is not damaged.
- Confirm air vent mechanisms work properly.