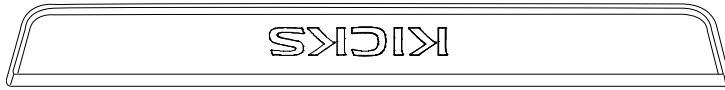




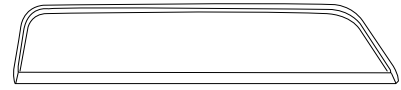
GENUINE PARTS

INSTALLATION INSTRUCTIONS

DESCRIPTION:	Illuminated Kick Plate Kit
APPLICATION:	Kicks
PART NUMBER(S) REQUIRED FOR INSTALLATION:	T99G6 5RL00 , Illuminated Kick Plate Kit
	T99F6 4RA0A , Accessory Service Connector - not included in kit above
KIT CONTENTS:	



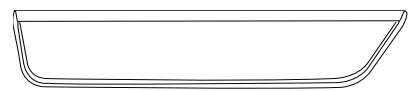
B



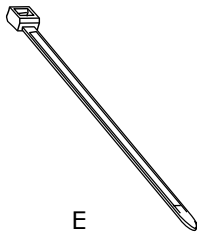
D



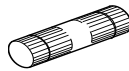
A



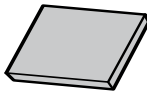
C



E



F



G



H

STOP Important: Read Before Installation!

Dealer Installation Recommended.

▲ WARNING

• To avoid serious personal injury or property damage, obtain Installation Instructions before attempting to install this accessory. The Installation Instructions provide the necessary procedures for a safe installation.

CUSTOMER INTERNET DOWNLOAD INSTRUCTIONS:
 Customers can obtain Installation Instructions for Infiniti or Nissan vehicles at www.Infiniti-Techinfo.com or www.Nissan-Techinfo.com respectively. From the home page, select Accessory Instructions. Select your Model, Model Year, and Accessory Type or search for your Model, and/or Model Year, and/or Accessory Type including Keyword or Part Number, then locate the Instructions for your accessory.

DEALER ASSIST DOWNLOAD INSTRUCTIONS:
 Dealership technicians can locate the Installation Instructions for this accessory by scrolling to and select, 'Acc. Install Instructions' tab. Always download and use latest version of the Installation Instructions.

Installation Instructions Replacement Template 999V2 AW000 Rev. 07/12/15

J

ADDITIONAL SERVICE PARTS NOT INCLUDED IN KIT ABOVE :

Item	Qty.	Part Description	Service Part Number
AAA	2	Accessory Service Connector	T99F6 4RA0A



AAA

**PART NUMBER(S)
REQUIRED FOR
INSTALLATION:**

KIT CONTENTS:

Item	Qty.	Part Description	Service Part Number
A	1	Illuminated Kick Plate, Front LH	Not Serviceable- Part of Kit T99G6 5RL00
B	1	Illuminated Kick Plate, Front RH	
C	1	Kick Plate, Rear LH	
D	1	Kick Plate, Rear RH	
E	14	Cable Tie, 200mm long	
F	4	Posi-Tap™ Connector	
G	4	Foam Tape, black, 40 x 40 x 1 mm	
H	6	Foam Tape, gray, 100 x 45 x 2 mm	
J	1	Installation Instruction Website Address	

TOOLS REQUIRED:

- Ratchet, 1/4" drive
- Socket, 10mm, 1/4" drive
- Torque Wrench, 1/4" drive
- Pliers, Wire Cutting
- Electrical Tape
- Masking Tape
- Work Light
- Ruler
- Trim Removal Tool, Nylon
- 50% Alcohol/50% Water Solution
- Cloth, Soft Non-Linting
- Scissors

INSTALLATION CAUTIONS:

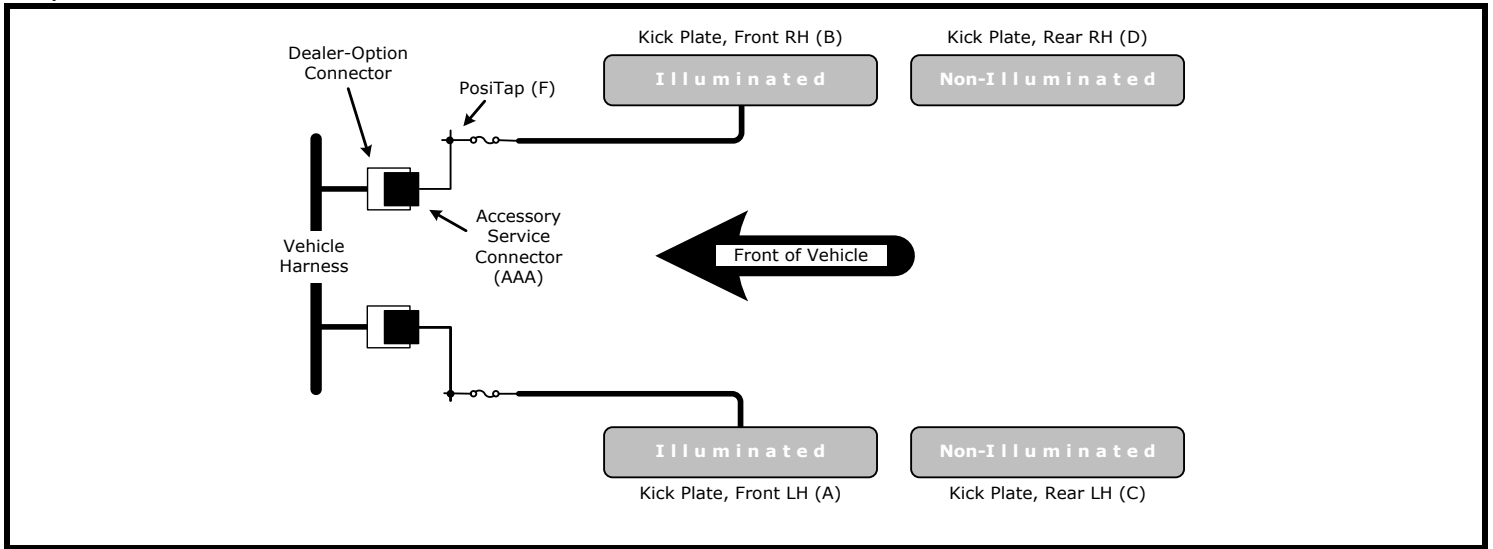


CAUTION

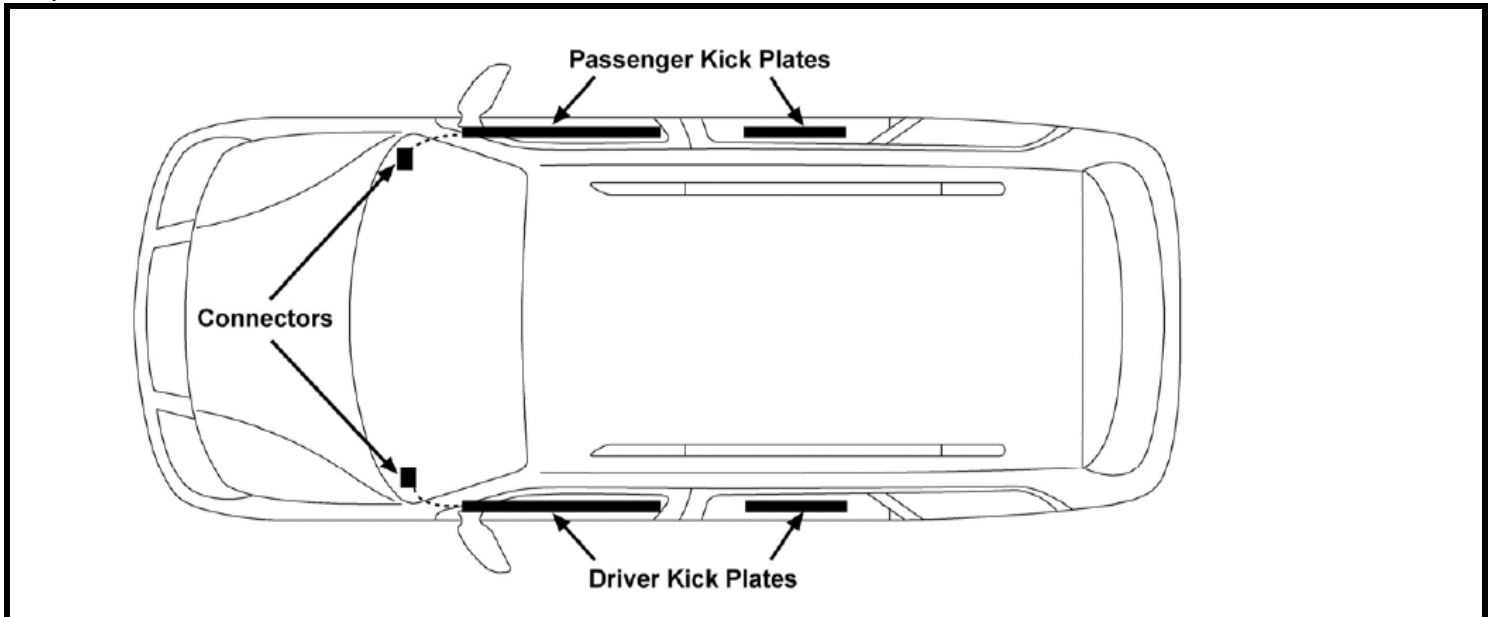
- Dealer installation recommended. Instructions may refer to Service Manual.
- Please read this instruction carefully before installing this product for correct installation.
- Please **DO NOT** use or install the part in ways other than what is described.
- Always use floor, seat and steering wheel protection.
- Parts utilizing adhesion as method of attachment are to be installed at surface temperature of 15-38° C
- Posi-Tap™ instructions must be specifically followed as described in Appendix A.
- Apply masking tape as needed to protect areas that may be scratched or damaged by tools.
- Always remove vehicle parts in the sequence directed. Improper procedure can damage parts.
- Take care not to scratch or damage any component during the removal or re-installation process.
- Trim pieces found to have witness marks or broken clips **ARE NOT** to be reinstalled.
- Store removed parts in a safe manner.
- If a problem occurs during installation, please contact Nissan dealer where product was purchased.

SECTION 1 - OVERVIEW

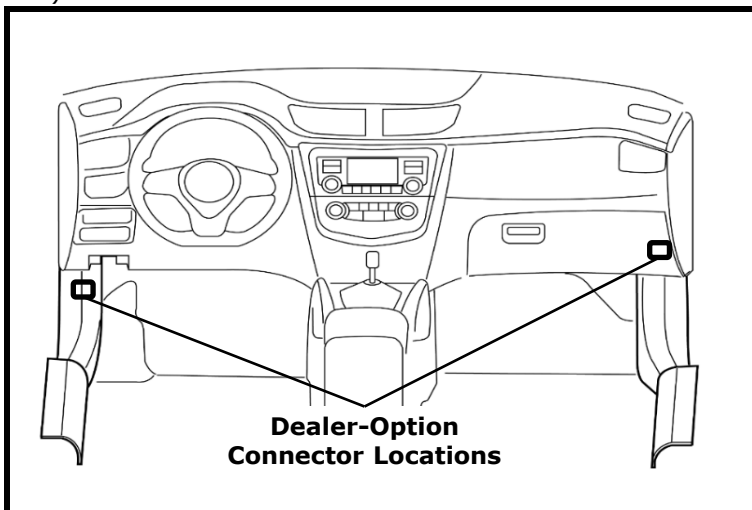
1.1) SYSTEM



1.2) VEHICLE



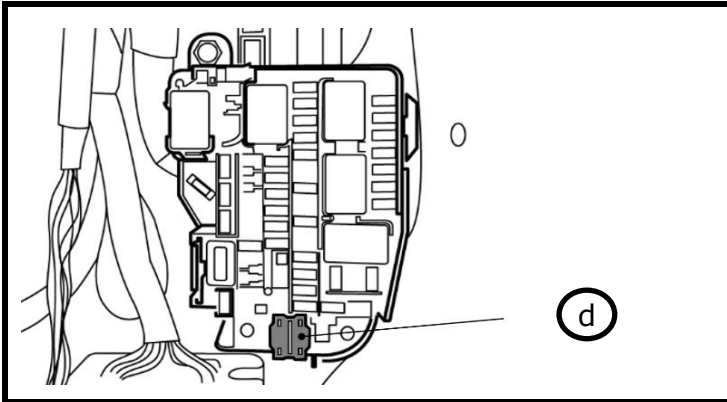
1.3) D-OPT CONNECTOR LOCATION





CAUTION

- Always confirm the ignition is in the "OFF" position before changing the E.S.S. position.
- If E.S.S. is not in Customer Mode, there will be a loss of normal vehicle operation, preventing accessory function check.



- 2.1) Check Extended Storage Switch Position
- Put shift lever in "P" position for A/T and CVT or "1st" for M/T .
 - Apply park brake.
 - Place ignition in "OFF" mode.
 - Locate Extended Storage Switch in cabin fuse block as shown.
 - Confirm Extended Storage Switch is in "Customer" (In/Engaged) position.
 - If ESS is not In/Engaged, then proceed to step 2.2 .



- 2.2) Changing ESS Position
- To disengage Customer Mode, pull out in **A** direction as shown.
 - To engage Customer Mode, press in **B** direction as shown.

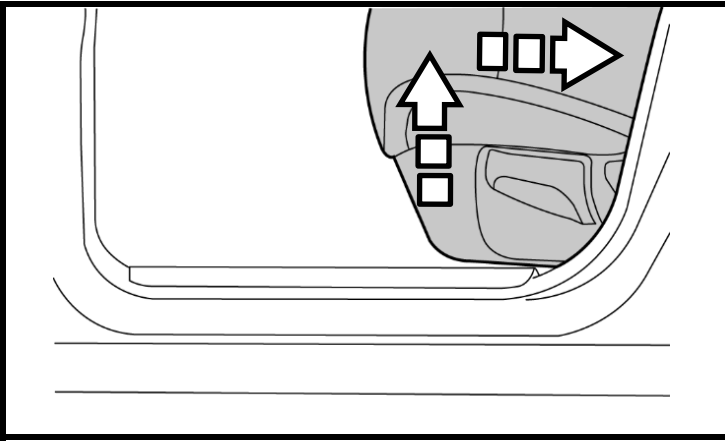
Condition	Switch Position	Note
Vehicle is delivered to the dealer	Transit (OUT)	
Vehicle is being stored at the dealer	Transit (OUT)	
Vehicle is delivered to customer	Customer (IN)	

- 2.3) Record Customer Presets
- Place ignition in "ON" mode.
 - Record the customer radio presets and other presets as required.

Preset	1	2	3	4	5	6	7	8	9	10

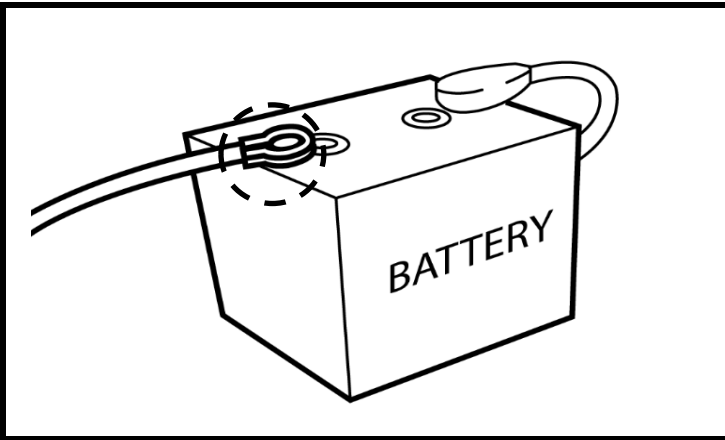
- Place ignition in "OFF" mode.

SECTION 2 - VEHICLE PREPARATION



2.4) Move seats

- a) Move both front seats to full upward and rearward position.



2.5) Disconnect battery terminal

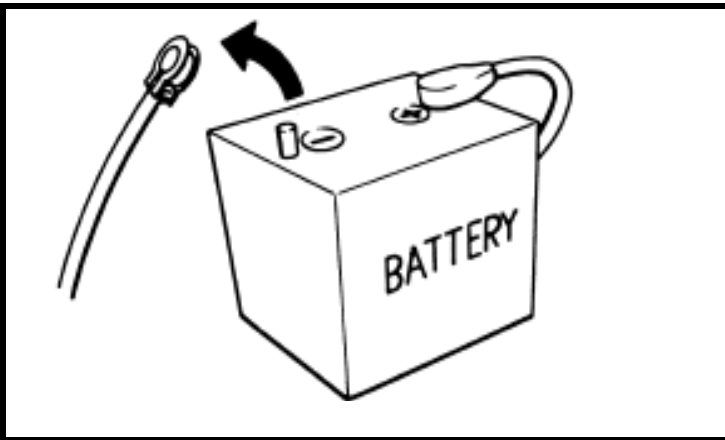
- a) Locate negative battery terminal.
- b) Loosen nut with 10mm socket.

Battery Terminal Nut



⚠ CAUTION

- Allow 3 min after key off with doors closed for vehicle power to time out.



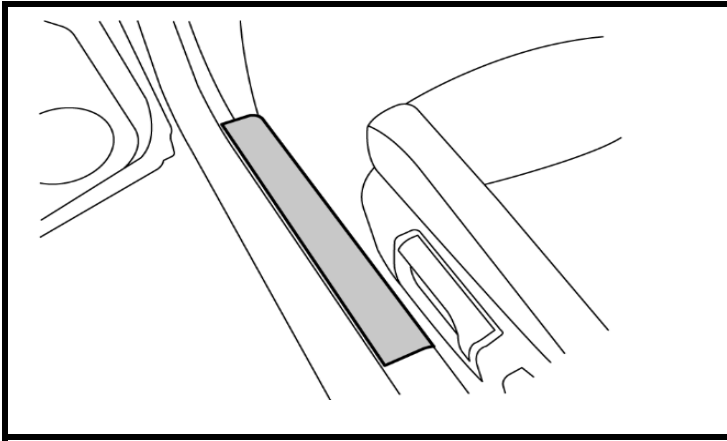
2.6) Disconnect battery terminal

- a) Lift negative battery terminal off stud.
- b) Isolate negative battery terminal.

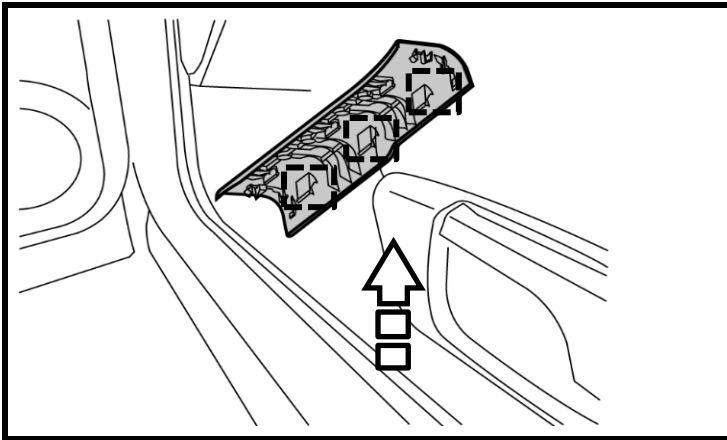
⚠ CAUTION

- Allow 3 min after negative terminal disconnect before separating any electrical connectors.

SECTION 3 - TRIM REMOVAL, FRONT

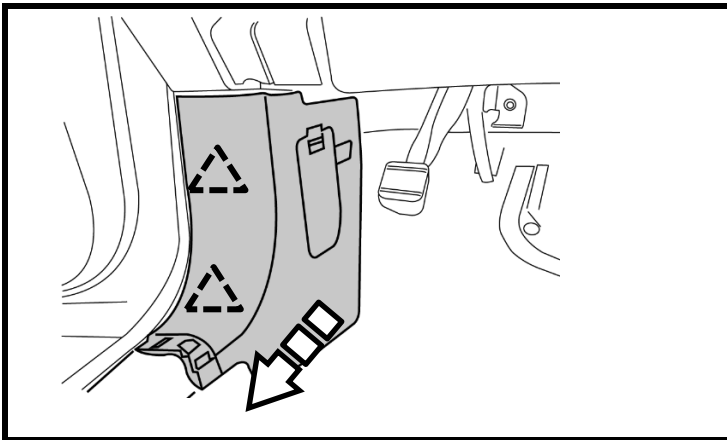


- 3.1) Remove LH trim
a) Locate LH inner sill plate assembly.



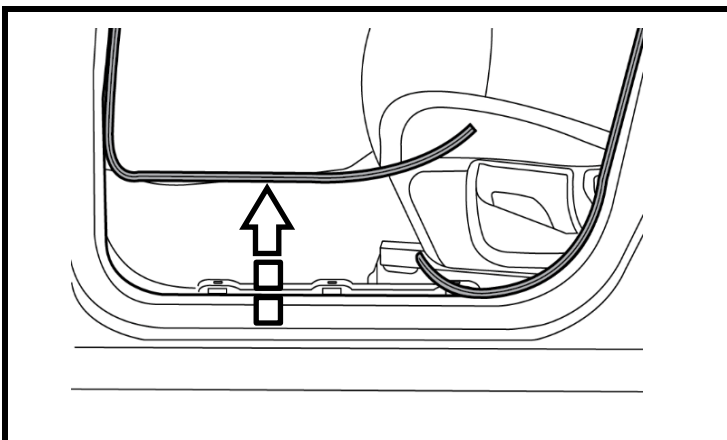
- 3.2) Remove LH trim
a) Disengage lower trim clips by pulling toward interior.
b) Lift sill plate up and out as shown.

Trim Clip



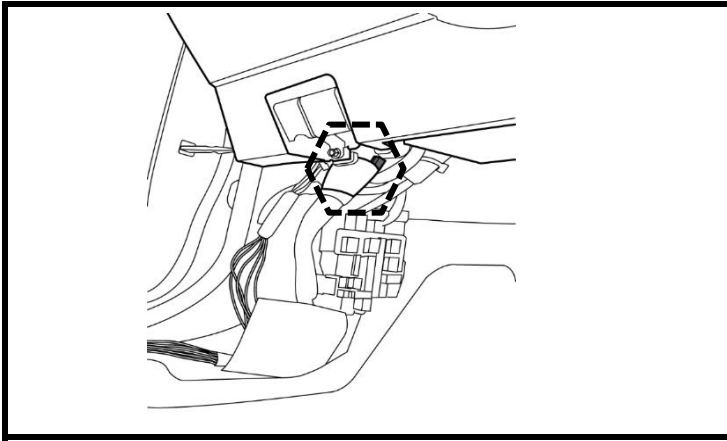
- 3.3) Remove LH trim
a) Disengage lower kick trim pawl by pulling rearward as shown.

Pawl



- 3.4) Remove LH trim
a) Pull up on front LH door sill weatherstrip along bottom edge only.

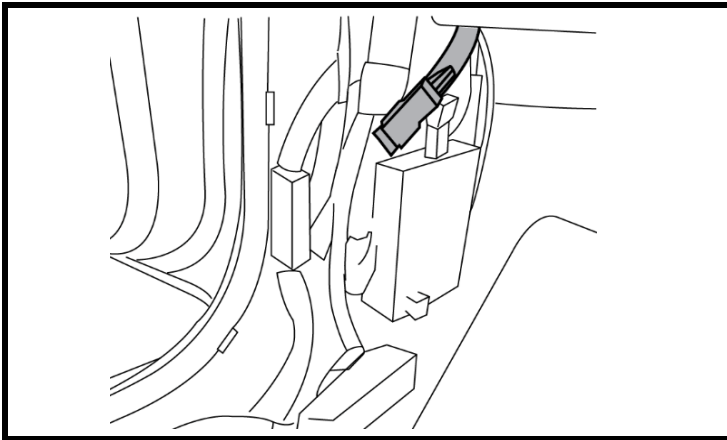
SECTION 3 - TRIM REMOVAL, FRONT



3.5) Locate LH D-Opt connector

- a) Locate Dealer-Option connector taped to main harness bundle.
- b) Carefully cut tape to free Dealer Option connector.

D-Opt Connector

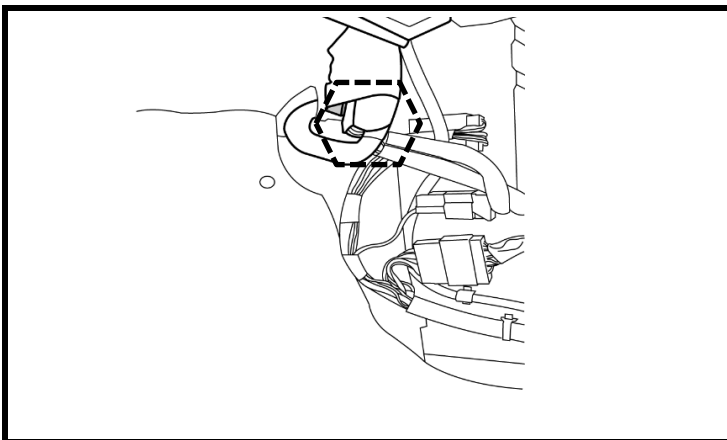


3.6) Locate LH D-Opt connector

- a) Unfold Dealer-Option connector and let hang as shown.

3.7) Remove RH trim

- a) Repeat steps 3.1 through 3.6 to remove trim on RH side.



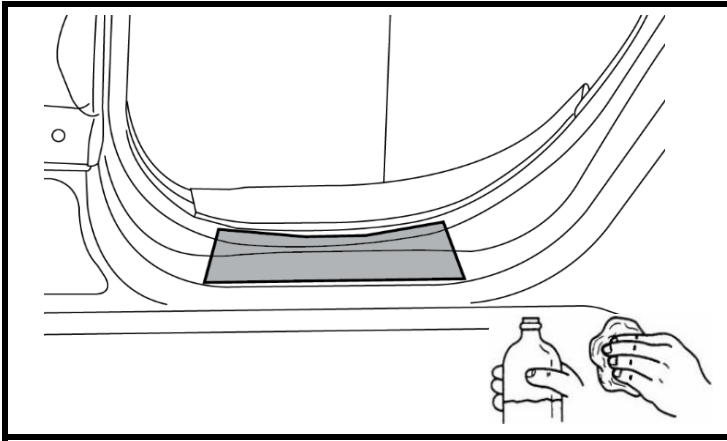
3.8) Locate RH D-Opt connector

- a) Locate Dealer-Option connector taped to main harness bundle.

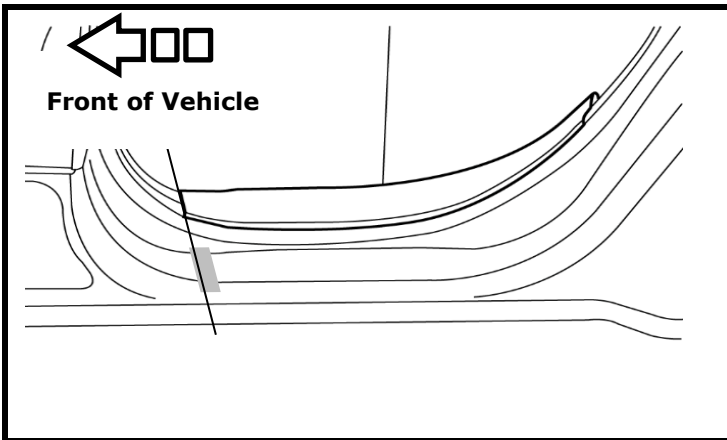
D-Opt Connector



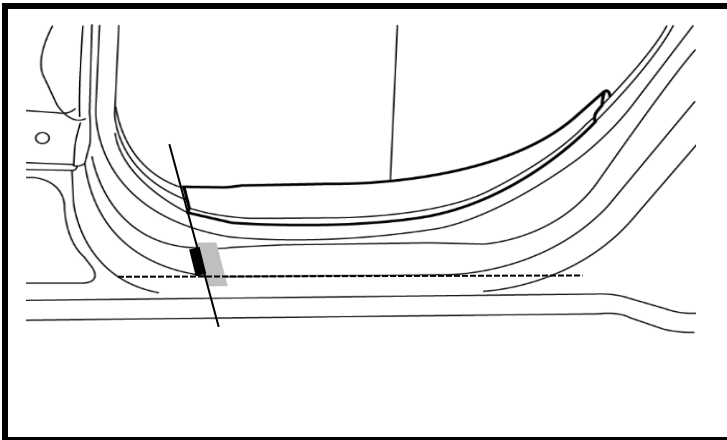
SECTION 4 - INSTALLATION PROCEDURE, REAR



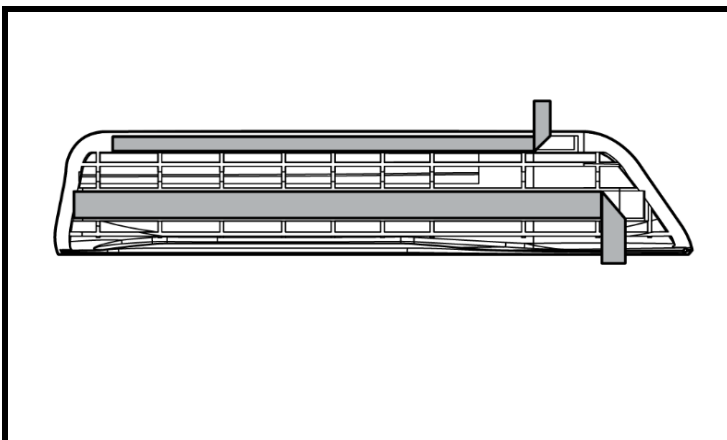
- 4.1) Install LH location template
 - a) Wipe area clean of any dirt.
 - b) Wipe using alcohol/water solution on a soft non-linting cloth.
 - c) Let dry for 30 seconds.



- 4.2) Install LH location template
 - a) Using scissors, cut out Left Rear paper template from Appendix C.
 - b) Line up forward edge of template (solid line) with forward edge of inner sill plate.

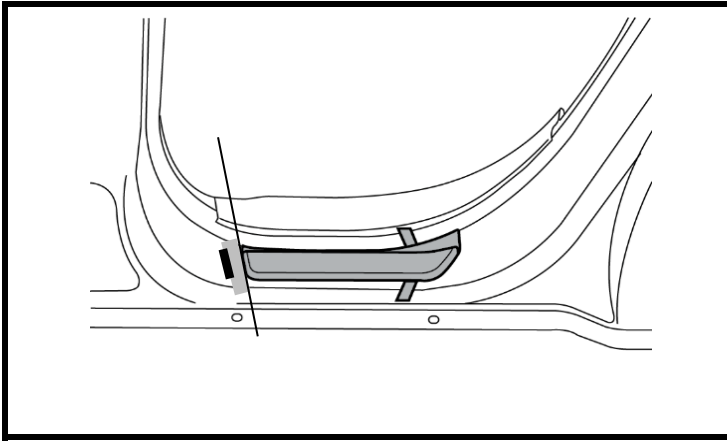


- 4.3) Install LH location template
 - a) Line up thin dotted line on template with outboard edge of door sill.
 - b) Tape LR template to door sill as shown.



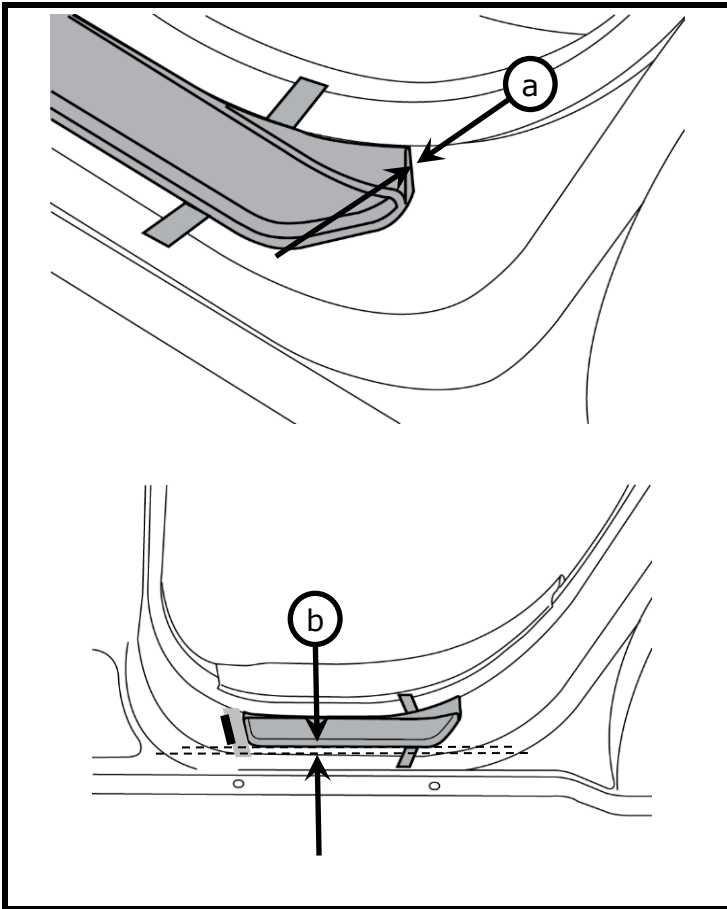
- 4.4) Install LH Kick Plate
 - a) Partially peel away enough of each adhesive liner to fold down a "flag" that will extend beyond the outer edge of Kick Plate, Rear LH (C) as shown.

SECTION 4 - INSTALLATION PROCEDURE, REAR



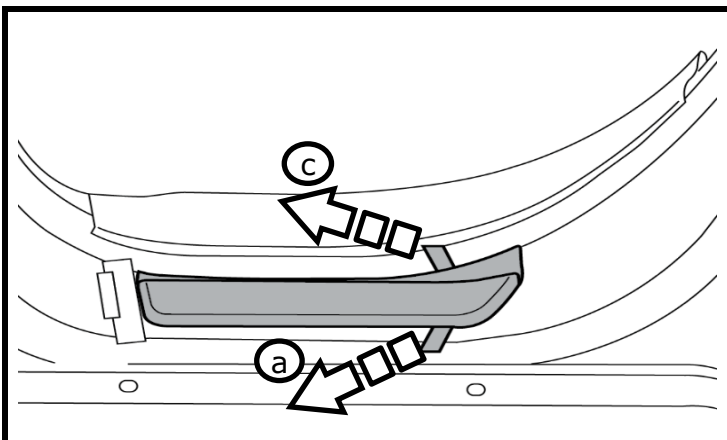
4.5) Install LH Kick Plate

- a) Position Kick Plate, Rear LH (C) on door sill area using template at forward end.
- b) Line up forward end of kick plate with rearward edge of template.



4.6) Install LH Kick Plate

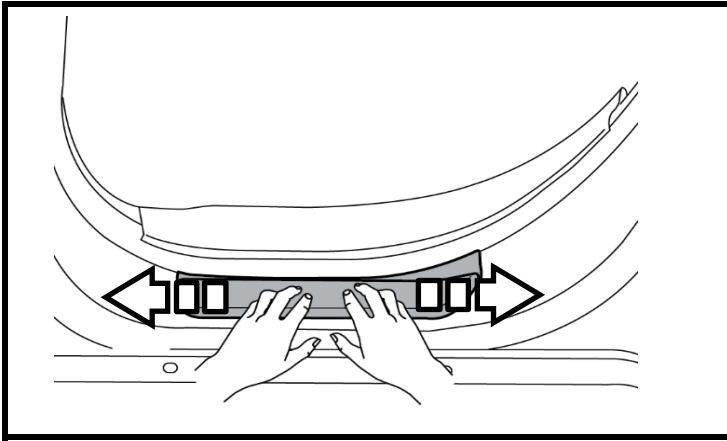
- a) Position inboard edge of kick plate snug along door sill flange.
- b) There should be a consistent distance to door sill outboard edge.



4.7) Install LH Kick Plate

- a) While lightly pressing down on kick plate, peel outboard tape liner completely away.
- b) Press lightly on kick plate outboard edge.
- c) Peel inboard tape liner completely away.

SECTION 4 - INSTALLATION PROCEDURE, REAR



4.8) Install LH Kick Plate

- a) Apply 15 lbs of pressure along the part to attach tape to body.



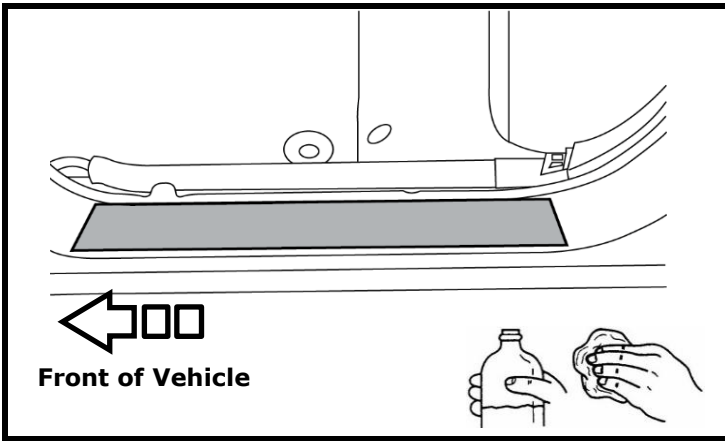
CAUTION

Use caution when applying pressure as the surface may dent.

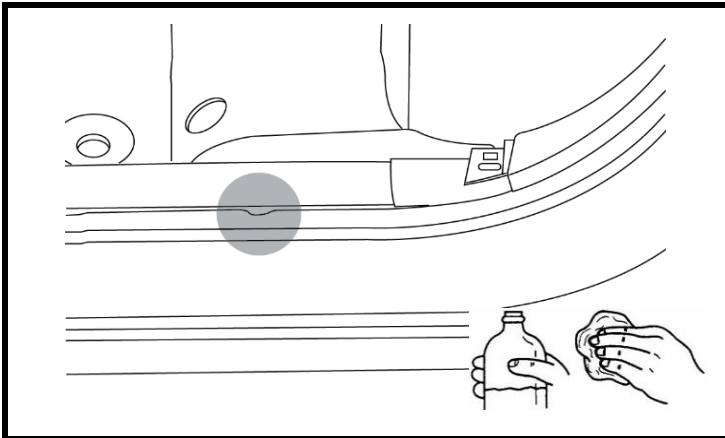
4.9) Install RH Kick Plate

- a) Repeat steps 4.1 through 4.8 to install Kick Plate, Rear RH (D) on RH side.

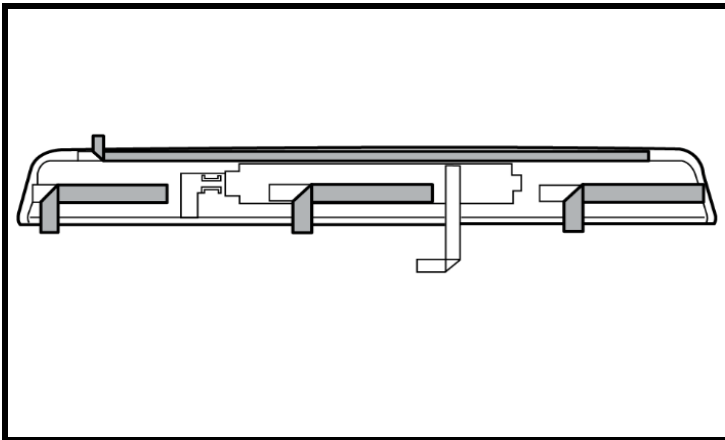
SECTION 5 - INSTALLATION PROCEDURE, FRONT



- 5.1) Clean LH door attachment area
 - a) Wipe door sill area clean of any dirt.
 - b) Wipe using alcohol/water solution on a soft non-linting cloth.
 - c) Let dry for 30 seconds.

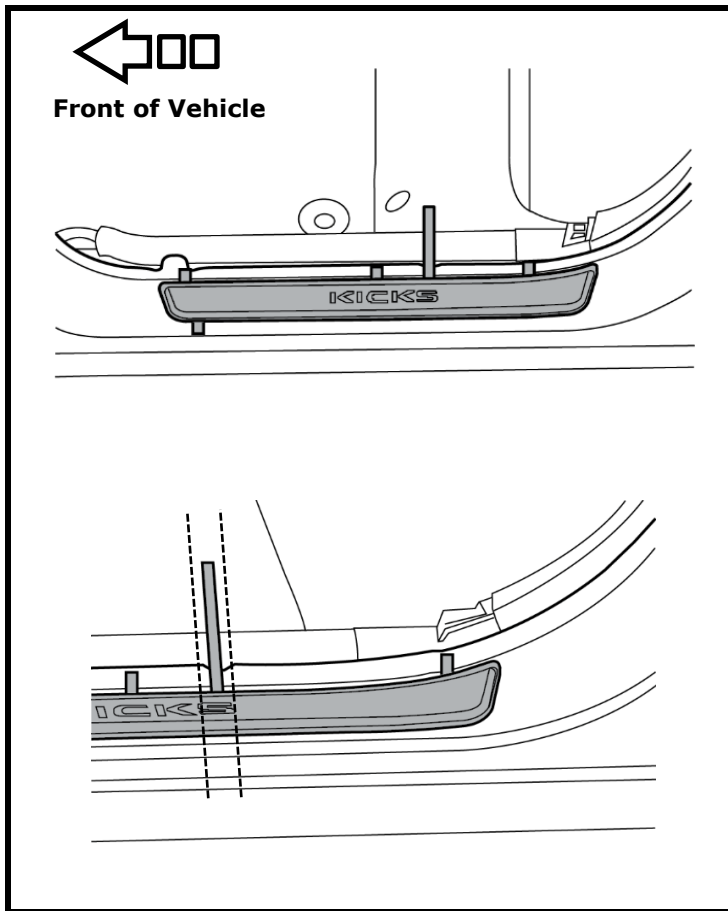


- 5.2) Clean LH door attachment area
 - a) Wipe door flange area clean of any dirt.
 - b) Wipe using alcohol/water solution on a soft non-linting cloth.
 - c) Let dry for 30 seconds.



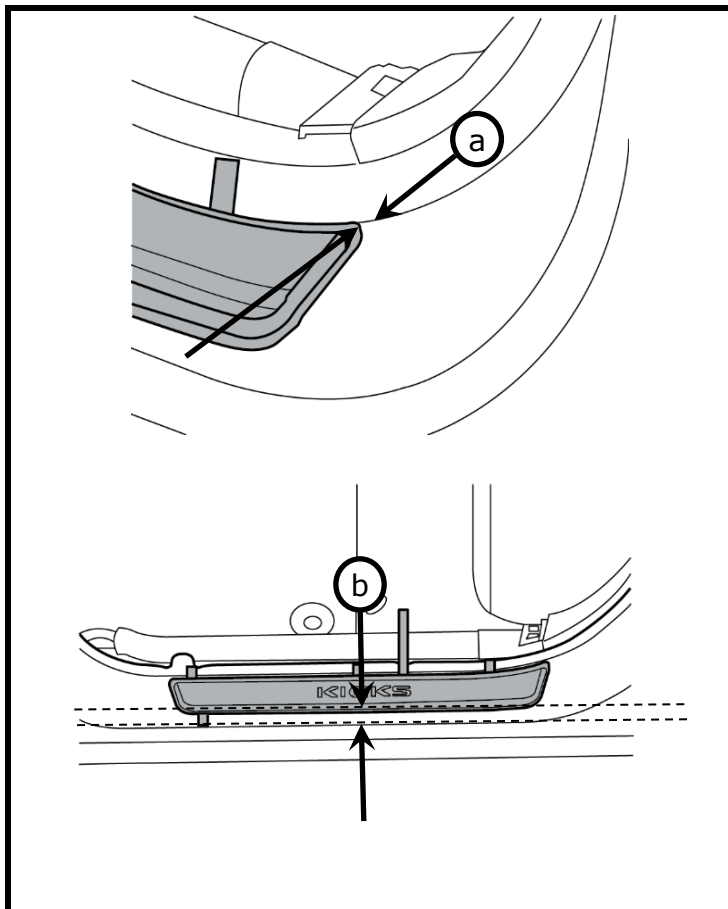
- 5.3) Install LH Kick Plate
 - a) Partially peel away enough of 4 adhesive liners to fold down a "flag" that will extend beyond the outer edge of Kick Plate as shown.

SECTION 5 - INSTALLATION PROCEDURE, FRONT



5.4) Install LH Kick Plate

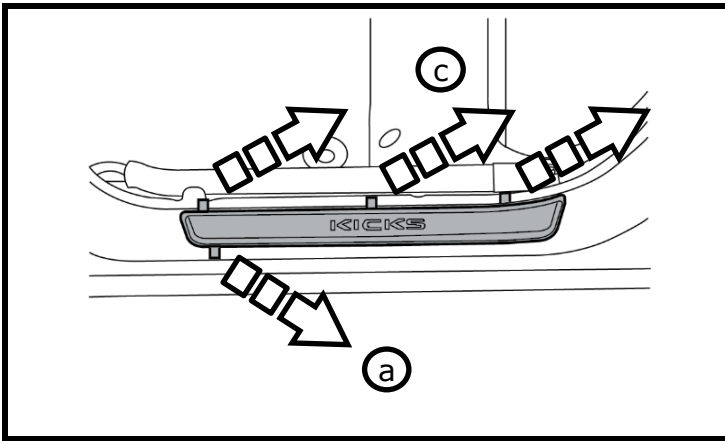
- a) Position Kick Plate, Front LH (A) on door sill area with harness centered in the sill flange notch.
- b) The shape of the Kick Plate should match the shape of the sill flange for best fit.



5.5) Install LH Kick Plate

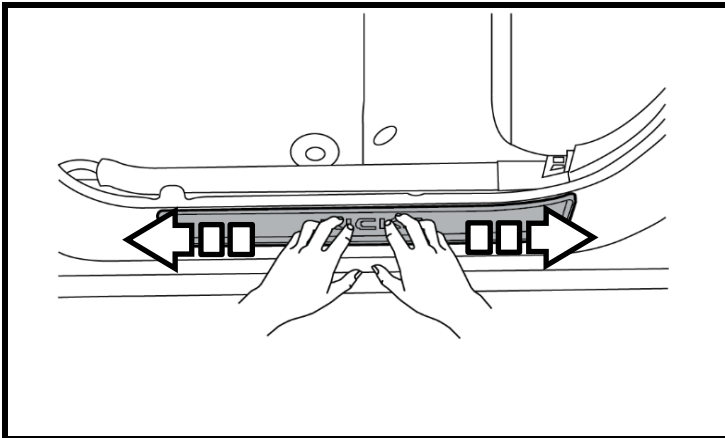
- a) Position inboard edge of kick plate snug along door sill flange.
- b) There should be a consistent distance to door sill outboard edge.

SECTION 5 - INSTALLATION PROCEDURE, FRONT



5.6) Install LH Kick Plate

- a) While lightly pressing down on kick plate, peel outboard tape liner completely away.
- b) Press lightly on kick plate outboard edge.
- c) Peel 3 inboard tape liners completely away.



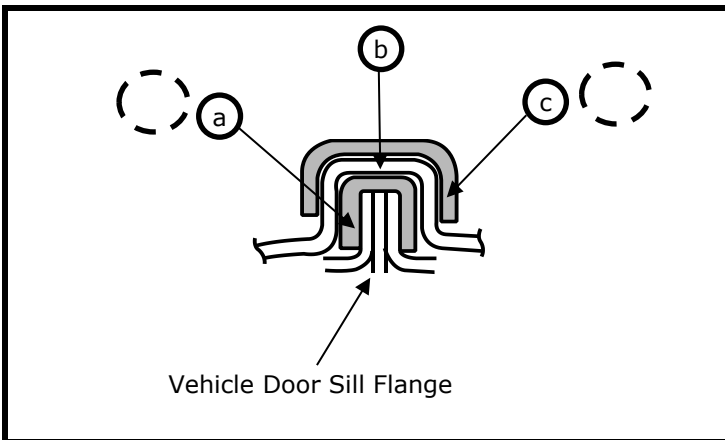
5.7) Install LH Kick Plate

- a) Apply 15 lbs of pressure along the part to attach tape to body.



CAUTION

Use caution when applying pressure as the surface may dent.



5.8) Route LH Kick Plate Harness

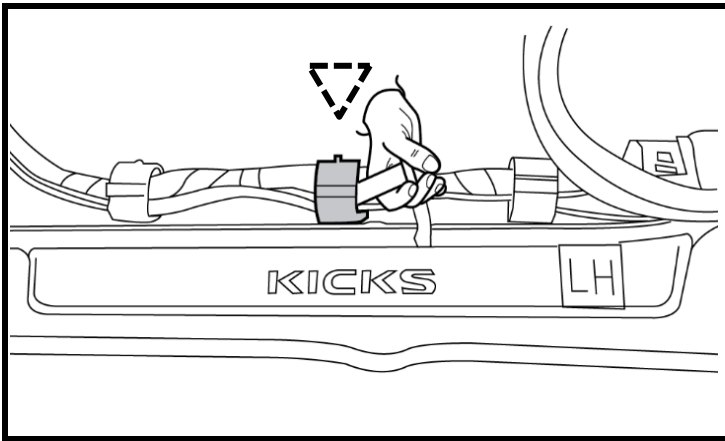
- a) Apply Foam Tape, Black (G) over door sill flange where wire harness will cross over.
- b) Form IKP harness wire over the door sill flange.
- c) Apply second Foam Tape, Black (G) over wire harness.

Foam Tape, Black (G)



- d) Firmly press weatherstrip back down along length of door.

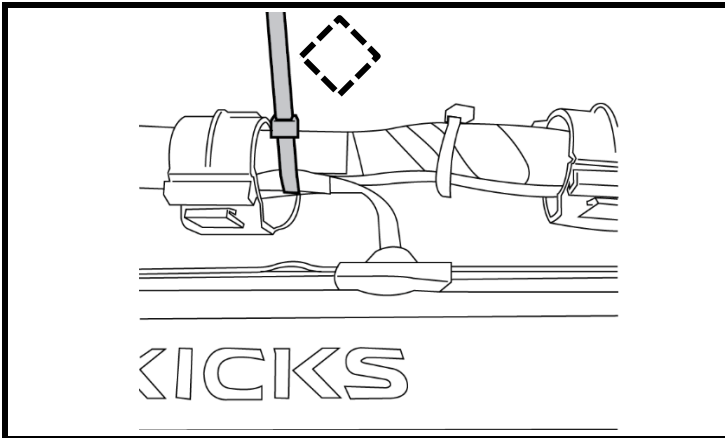
SECTION 5 - INSTALLATION PROCEDURE, FRONT



5.9) Install LH Kick Plate

- a) Unlatch vehicle harness clip with trim removal tool.

Clip



5.10) Install LH Kick Plate

- a) Route IKP harness to vehicle harness and secure with Cable Tie (E) as shown.
- b) Re-latch harness clip.

Cable Tie (E)



CAUTION

DO NOT secure the wiring to water drain or washer fluid tubing.

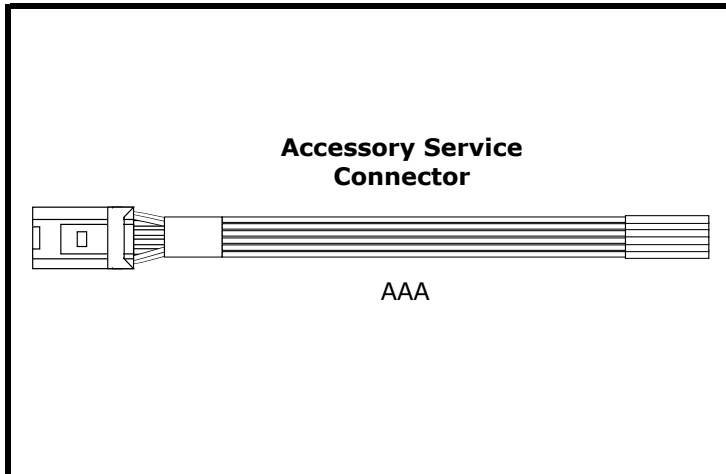
5.11) Install RH Kick Plate

- a) Repeat steps 5.1 through 5.10 to install Illuminated Kick Plate, Front RH (B) on RH side.

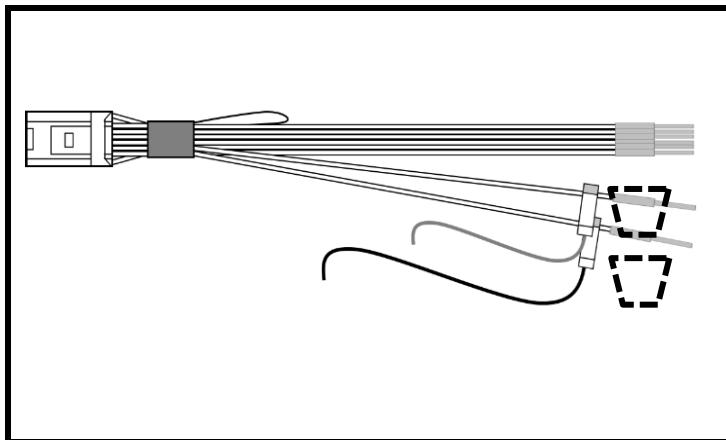


CAUTION

- The Accessory Service Connector is for use **ONLY** with Genuine Nissan (or Infiniti) or Nissan (or Infiniti) approved accessories. Use of this connector with non Genuine Nissan (or Infiniti) or Nissan (or Infiniti) approved accessories or failure to follow the installation instructions for said connector being mentioned herein may result in damage to the accessory and/or your vehicle.
- Nissan/Infiniti is not liable for loss or damage due to improper installation or installation of non Genuine or non approved accessories.

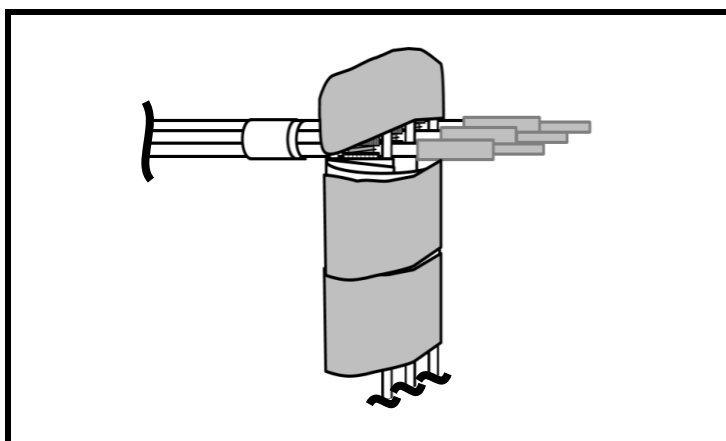


- 6.1) Connect ASC (AAA) to IKP, Front LH (A)
- a) For detailed directions, see Appendix A - Posi-Tap Procedure.
 - b) Additional circuit information is in Appendix B - Mechanization Drawing.



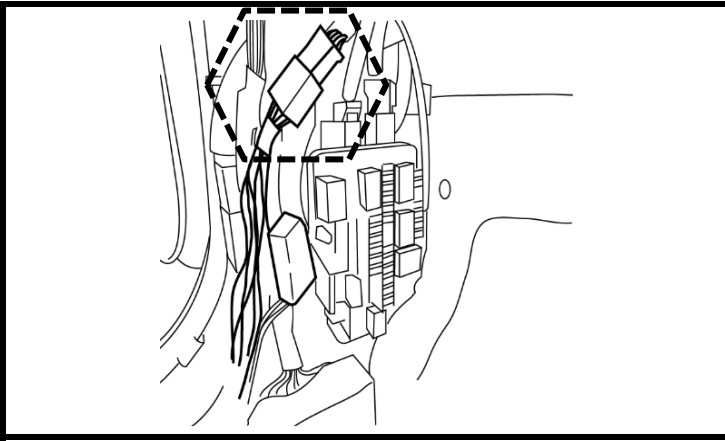
- 6.2) Connect ASC (AAA) to IKP, Front LH (A)
- a) Using a Posi-Tap (F), connect the BLACK IKP lead wire to the "ROOM_LAMP" (YELLOW wire) of the ASC (AAA) as shown.
 - b) Using a Posi-Tap (F), connect the RED IKP lead wire to the "BAT_SAVER" (PINK wire) of the ASC (AAA) as shown.

Posi Tap (F)



- 6.3) Connect ASC (AAA) to IKP, Front LH (A)
- a) Once the ASC is prepared as described in Appendix A, the IKP harness with ASC attached should look like this.

SECTION 6 - ASC CONNECTION & FUNCTION CHECK

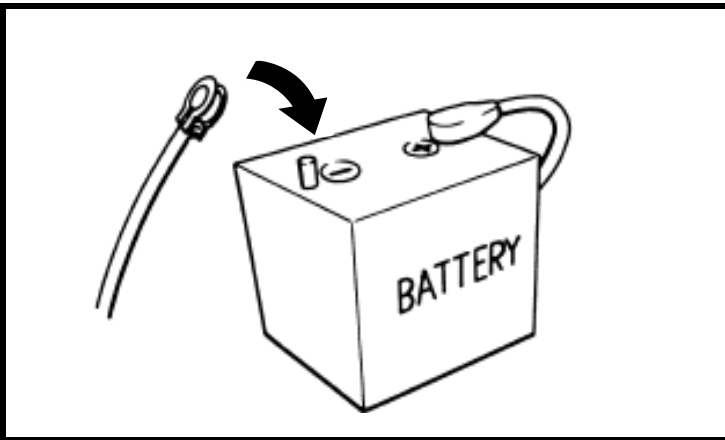


- 6.4) Connect ASC (AAA) to IKP, Front LH (A)
a) Plug LH ASC into LH D-Opt connector.

D-Opt Connector

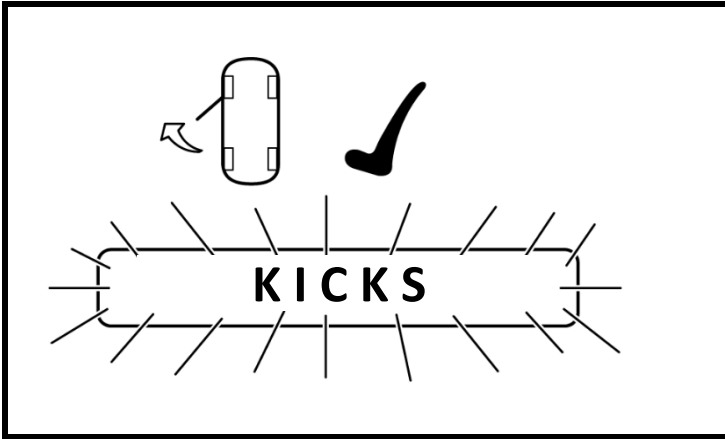


- 6.5) Connect ASC (AAA) to IKP, Front RH (B)
a) Repeat steps 6.1 through 6.4 for the Illuminated Kick Plate, Front RH (B).



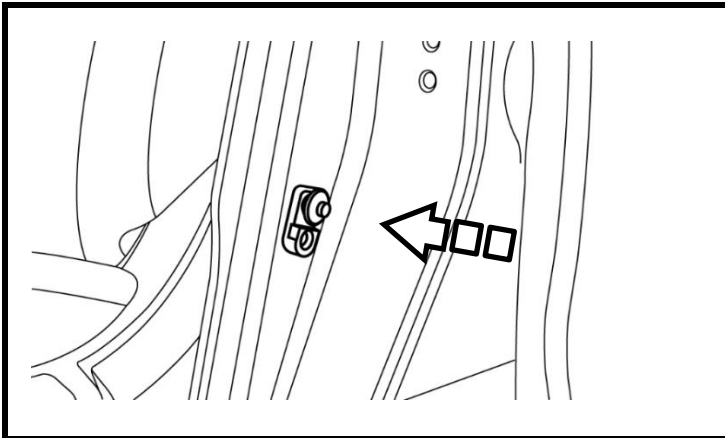
- 6.6) Electrical function check
a) Re-connect negative battery cable

SECTION 6 - ASC CONNECTION & FUNCTION CHECK



6.7) Electrical function check

- a) Open front LH door.
- b) Confirm Illuminated Kick Plate turns ON .



6.8) Electrical function check

- a) Press LH door switch
- b) Confirm that Illuminated Kick Plate turns OFF when Room Lamp turns OFF.
- c) Close door

6.9) Electrical function check

- a) If NG, check fusing, harness routing, connections, and IKP to identify root cause.



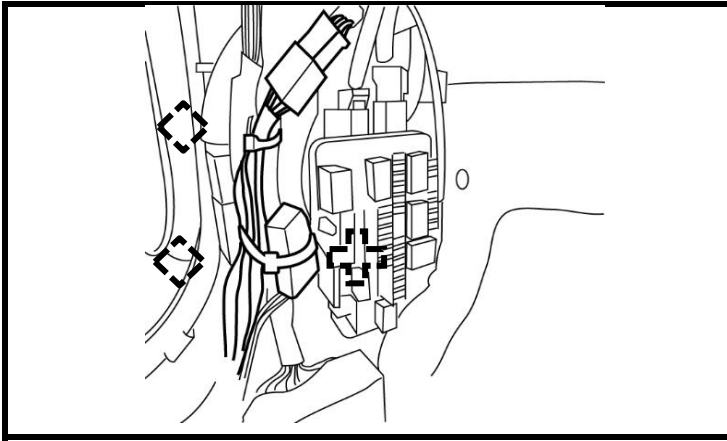
CAUTION

When diagnosing electrical system problems, first disconnect the accessory connector(s) and note effect on vehicle system. Continue the investigation with the accessory connector(s) disconnected. Reconnect when the investigation is complete.

6.10) Electrical function check

- a) Repeat steps 6.7 - 6.9 for front RH door.

SECTION 7 - FINAL



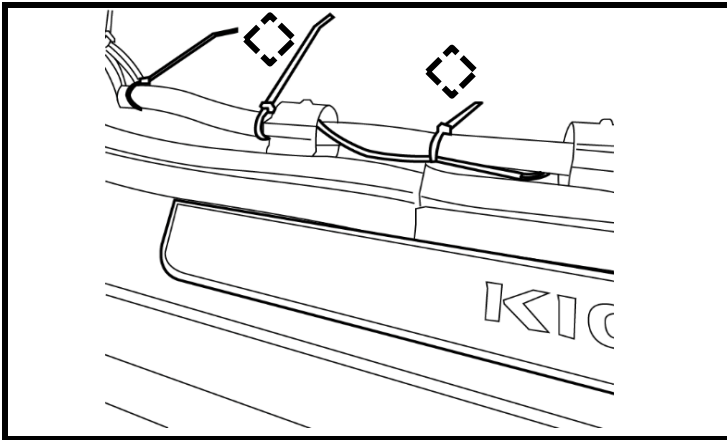
7.1) Secure wire harness

- a) Wrap LH side IKP harness fuse with Foam Tape, Gray (H).
- b) Secure to vehicle harness with 2 Cable Ties (E) as shown.

Foam Tape, Gray (H)



Cable Tie (E)



7.2) Secure wire harness

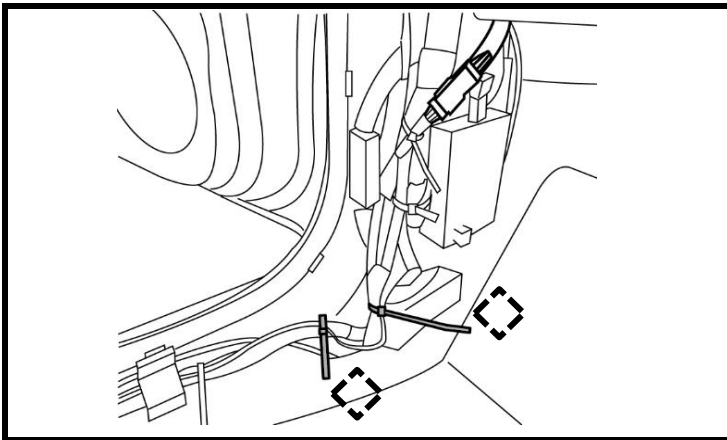
- a) Secure to vehicle harness with 2 Cable Ties (E) as shown.

Cable Tie (E)



CAUTION

DO NOT secure the wiring to water drain or washer fluid tubing.



7.3) Secure wire harness

- a) Bundle excess wire in a loop in the area shown.
- b) Secure to vehicle harness with 2 Cable Ties (E) as shown.

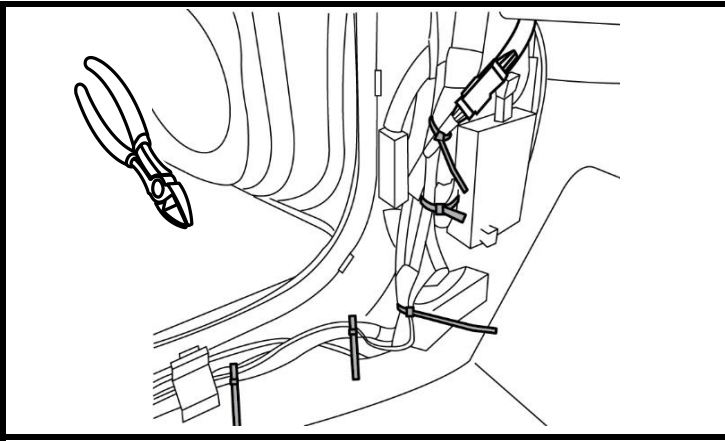
Cable Tie (E)



7.4) Install RH Kick Plate

- a) Repeat steps 7.1 through 7.3 to install Illuminated Kick Plate, Front RH (B) on RH side.

SECTION 7 - FINAL



7.5) Secure wire harness

- a) Cut excess length from all LH and RH cable ties with wire cutting pliers.
- b) Verify all wiring is secure.

7.6) Re-install trim

- a) Re-install interior trim that was removed in Section 3 - Trim Removal, Front



CAUTION

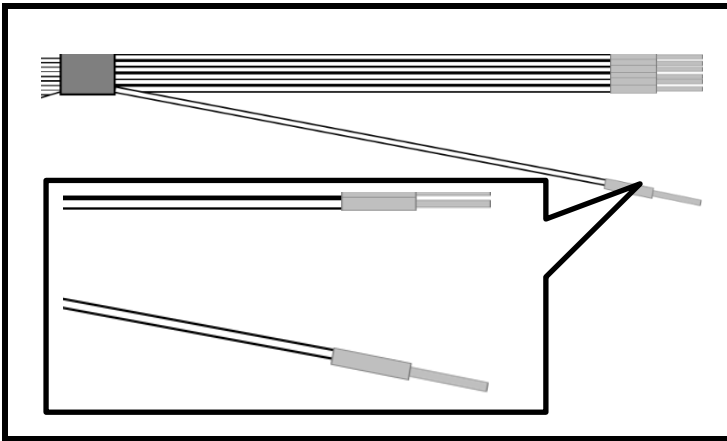
Take care not to scratch or damage any component during the removal or re-installation process. Trim pieces found to have witness marks or broken clips should be replaced with new parts.

Do NOT step on kick plate or wash vehicle for 24 hours after installing to prevent the double-sided tape from peeling.

7.7) Complete checklist:

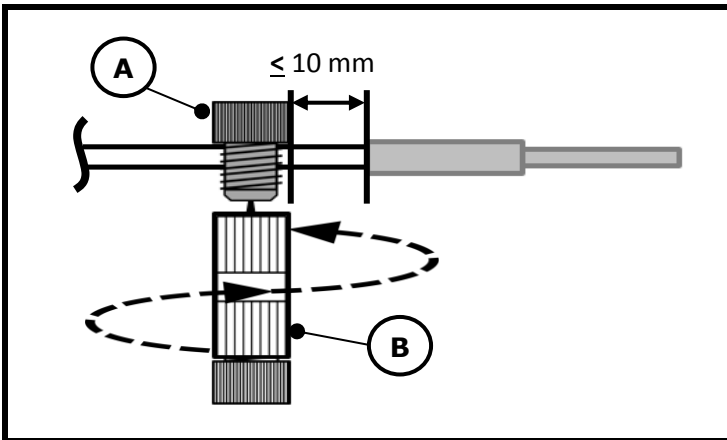
- Tighten battery terminal nut to 5 N-m.
- Verify re-installed trim parts for proper fit (no gap, waviness, etc.), particularly the door sill weather strip.
- Verify all windows and sunroof (if equipped), one touch operation and perform the reset procedure if necessary. Refer to the vehicle Service Manual for more details.
- Re-program radio presets and other vehicle settings to the recorded settings if necessary.
- If this vehicle will be returned to a dealer lot or showroom for an extended period of time, be sure the extended storage switch is placed in the Transit position. See step 2.2 .
- Remove all tools, templates, and other debris from interior of vehicle.
- Verify vehicle headliner, seat, steering wheel, center console, carpet, etc. are not soiled.
- Verify interior and exterior are not damaged.

APPENDIX A - POSI-TAP PROCEDURE



A.1) Installing Posi-Tap™ on Accessory Service Connector (AAA)

- a) Identify and confirm ASC wire to be tapped. Check color as well as connector location.
- b) Separate wire from rest of bundle.



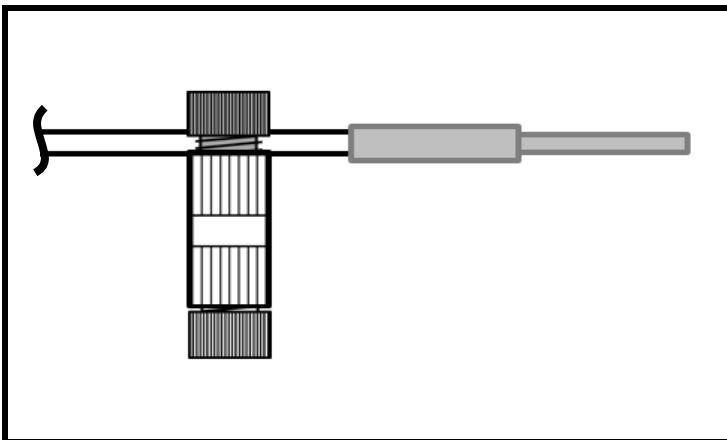
A.2) Installing Posi-Tap™ on ASC (AAA)

- a) Remove pierce cap (A) gray side from tap body
- b) Slide cap around single wire to be tapped
- c) Position cap ≤ 10 mm away from heat shrink end of connector
- d) Turn tap (B) clockwise until finger "tight". Then secure to cap (A) with another $\frac{1}{4}$ turn.



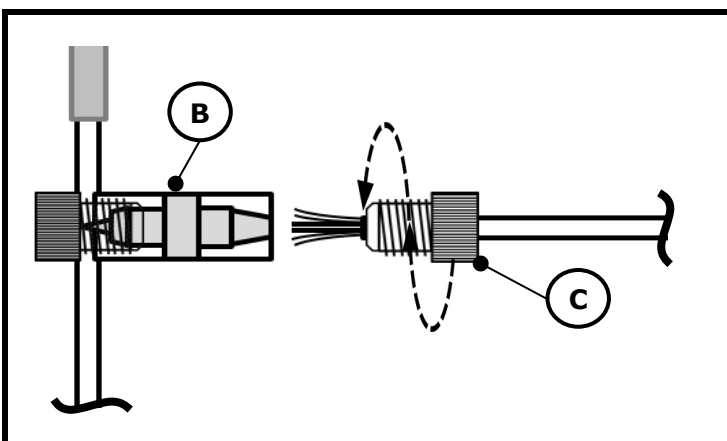
CAUTION

Do not overtighten Posi-Tap, it may damage wire



A.3) Installing Posi-Tap™ on ASC (AAA)

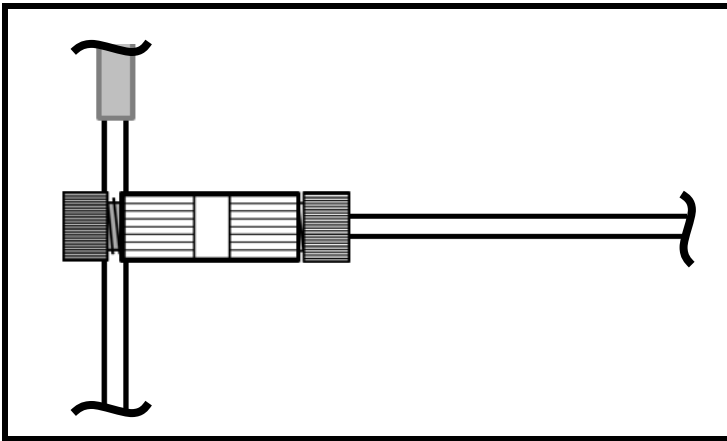
- a) Inspect Posi-Tap™ to ensure correct installation.
- b) Wire jacket should be crushed enough to maintain pressure.
- c) Confirm tap cap gap is straight and evenly spaced around perimeter.



A.4) Installing Accessory wire into Posi-Tap™

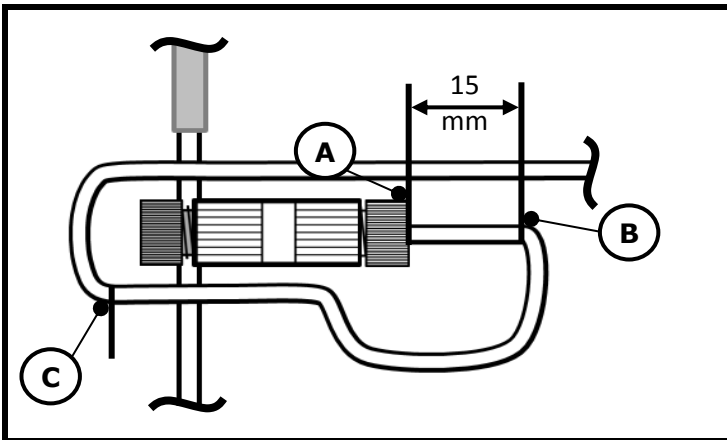
- a) Remove tap bottom (C) red side from tap body (B).
- b) Remove the pre cut insulation from correct Accessory wire.
- c) Insert wire through tap bottom (C) opening.
- d) Fan out individual wire strands as shown.
- e) Insert wire into tap body until it bottoms out.
- f) Turn tap bottom (C) clockwise until finger "tight". Then secure to tap body (B) with another $\frac{1}{4}$ turn.

APPENDIX A - POSI-TAP PROCEDURE



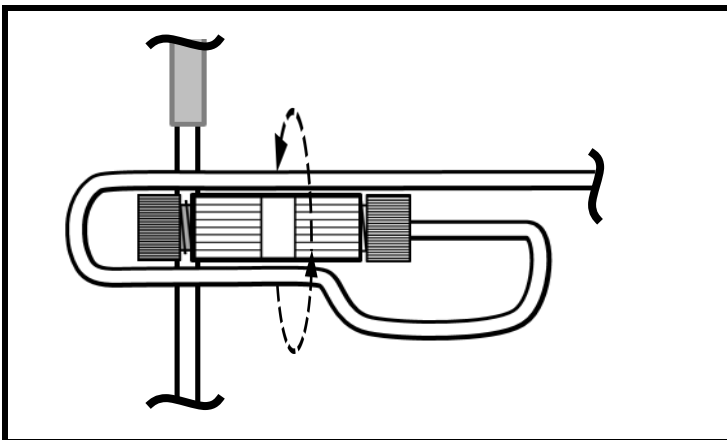
A.5) Installing accessory wire into Posi-Tap™

- a) Confirm tap bottom gap is straight and evenly spaced around perimeter
- b) Gently pull on wire to confirm secure connection.



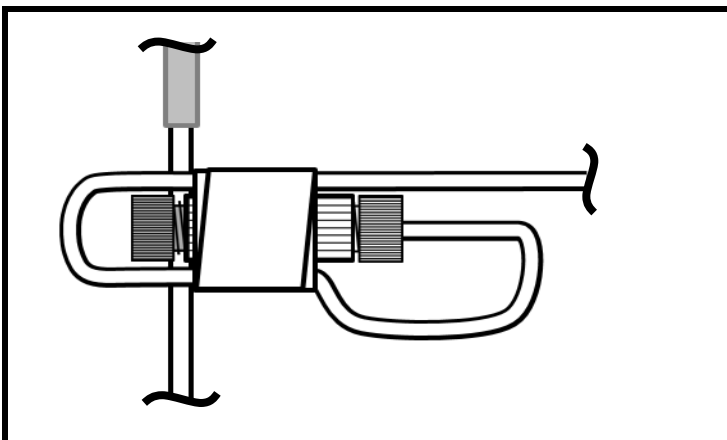
A.6) Accessory wire strain relief

- a) Measure ≥ 15 mm from point (A).
- b) Gently form a loop at point (B) and bend back up towards Posi-Tap™ (bend radius ≥ 10 mm).
- c) Gently form a loop at point (C) and bend back over top of Posi-Tap™ and down opposite side (bend radius ≥ 10 mm).



A.7) Accessory wire strain relief

- a) Secure accessory wire strain relief to tap body with electrical tape (≥ 2 revolutions).



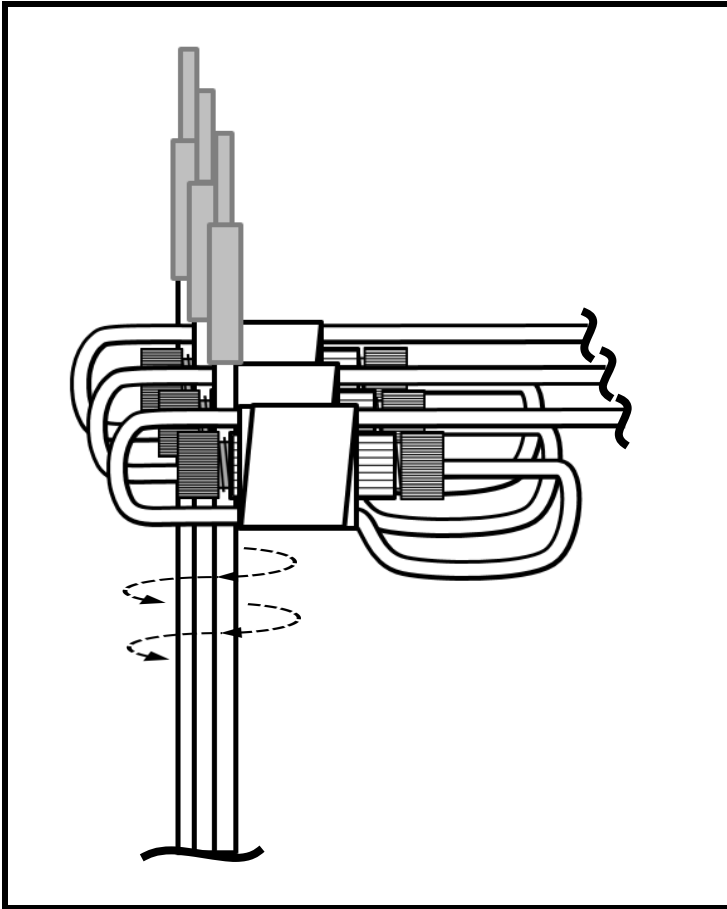
A.8) Accessory wire strain relief

- a) Once accessory wire strain relief is taped to tap body, it should look as shown.

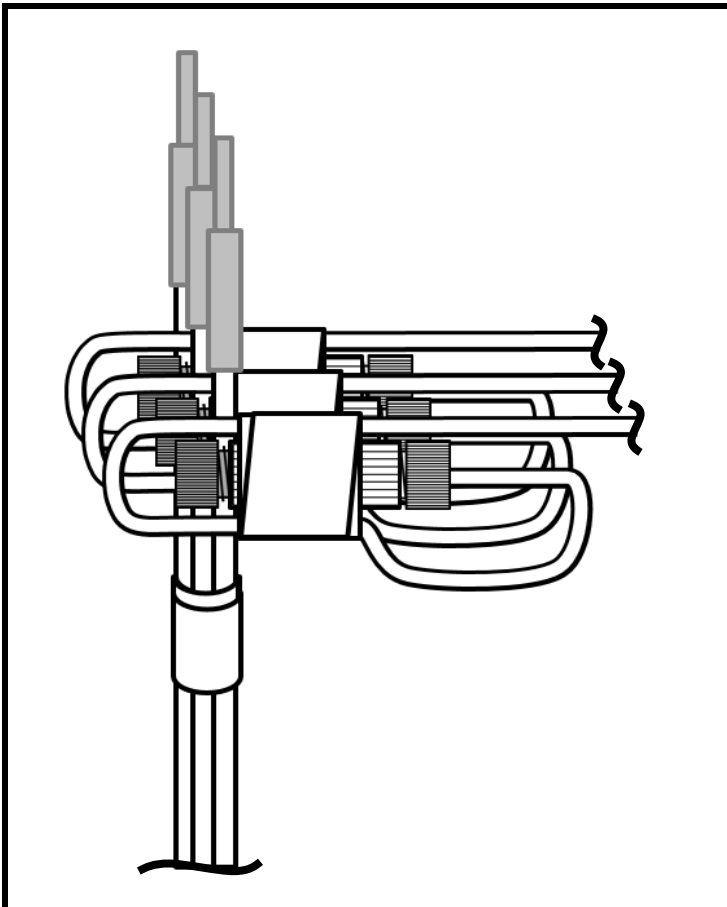
A.9) Installing Posi-Tap™ on ASC (AAA)

- a) Repeat steps A.1 - A.8 for all other wires requiring a Posi-Tap™.

APPENDIX A - POSI-TAP PROCEDURE

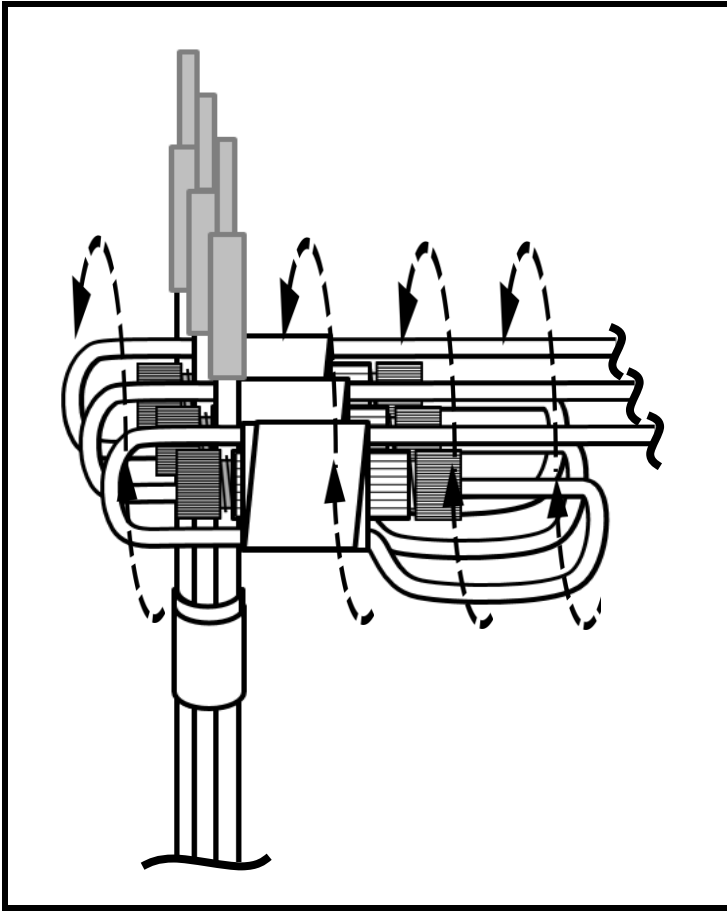


- A.10) Securing multiple Posi-Taps™ together
- a) Stack Posi-Taps™ in slightly staggered fashion as shown.
 - b) Secure tapped circuits together with electrical tape (≥ 2 revolutions).

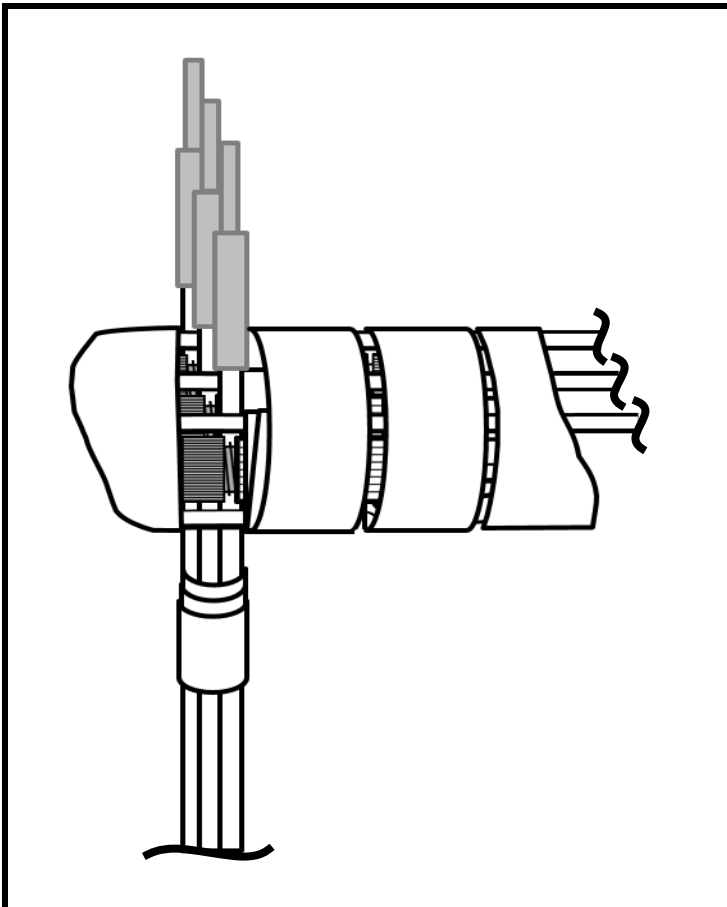


- A.11) Securing multiple Posi-Taps™ together
- a) Once tapped circuits are secured together with electrical tape they should look as shown.

APPENDIX A - POSI-TAP PROCEDURE

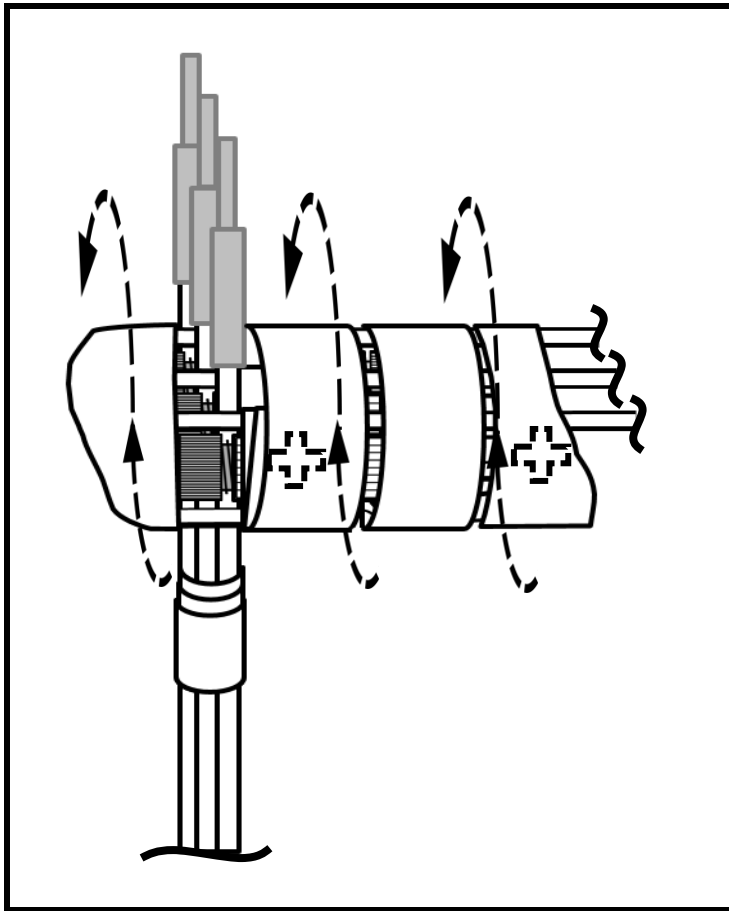


- A.12) Securing multiple Posi-Taps™ together
- a) Secure Posi-Taps™ together with electrical tape (≥ 4 revolutions).



- A.13) Securing multiple Posi-Taps™ together
- a) Once Posi-Taps™ are secured together with electrical tape they should look as shown.

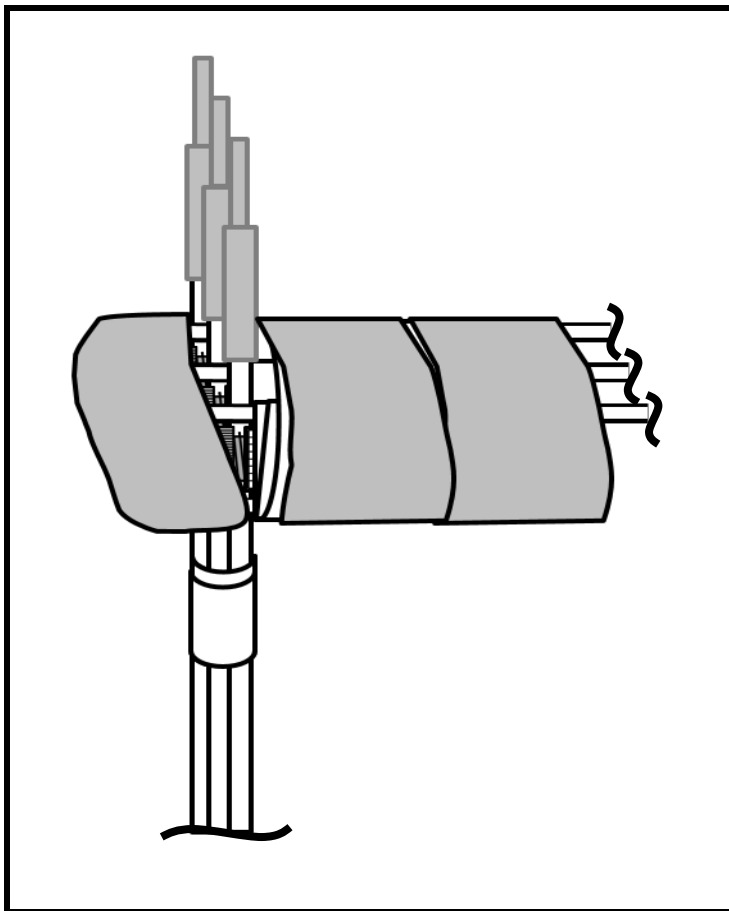
APPENDIX A - POSI-TAP PROCEDURE



A.14) Securing multiple Posi-Taps™ together

- a) To prevent any possible noise or rattle issues, use two pieces of Foam Tape, Gray (H) to wrap pre-taped Posi-Taps™.

Foam Tape (H)

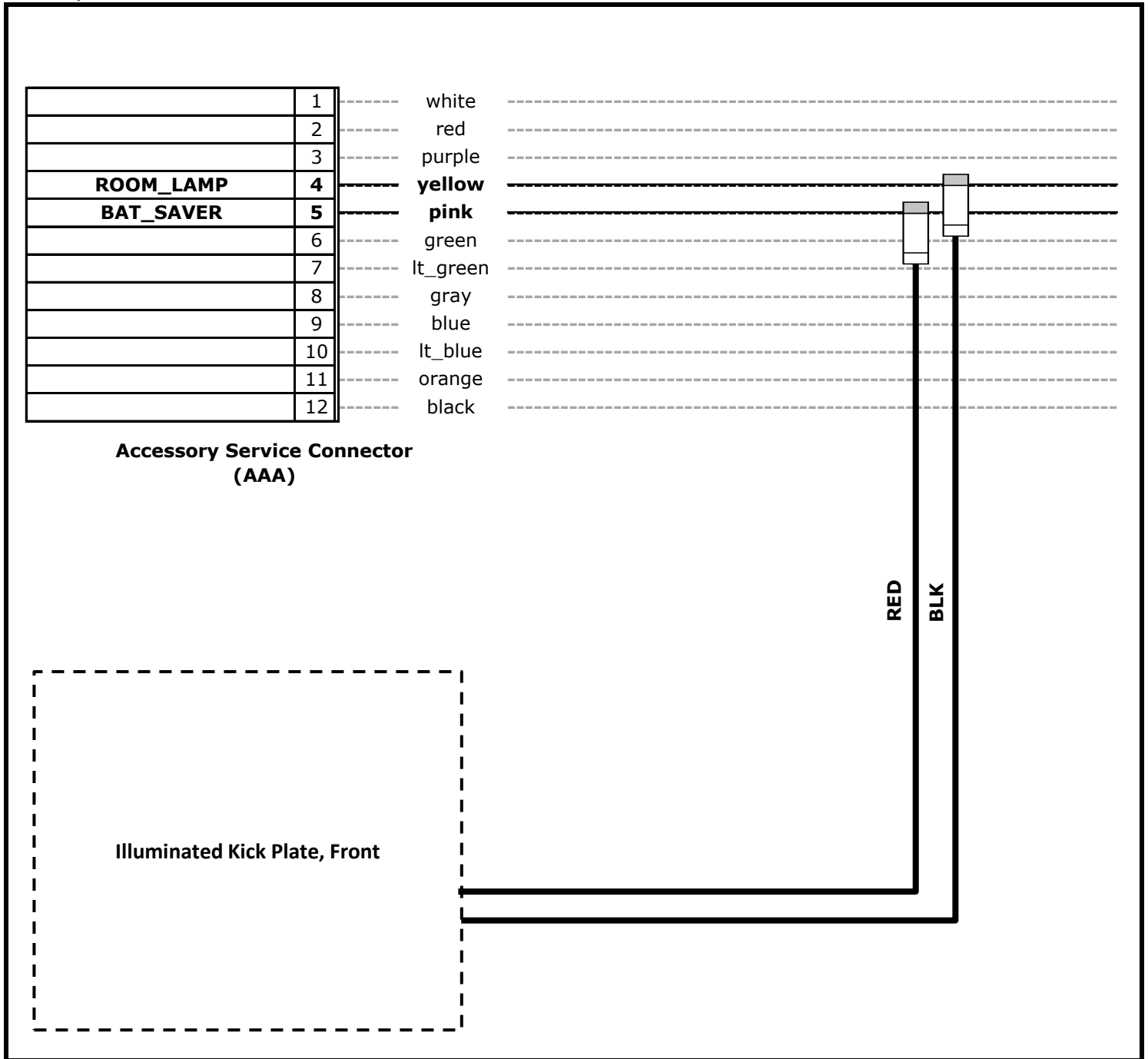


A.15) Securing multiple Posi-Taps™ together

- a) Once wrapped with Foam Tape, taped Posi-Tap™ bundle should look as shown.

APPENDIX B - MECHANIZATION DRAWING

B.1) Figure below applies to the Illuminated Kick Plates connected to the LH and RH ASC



CONNECTOR PN#	T99F6 4RA0A
CONNECTOR NAME	ACCESSORY SERVICE CONNECTOR
CONNECTOR COLOR	WHITE

UNIT

LEGEND

POSI-TAP

GRAY - CIRCUIT TAP (PIERCE) SIDE

RED - ACCESSORY (INSERT) SIDE

Note: Pin location is referenced looking into harness side of connector with lock tab oriented as shown.

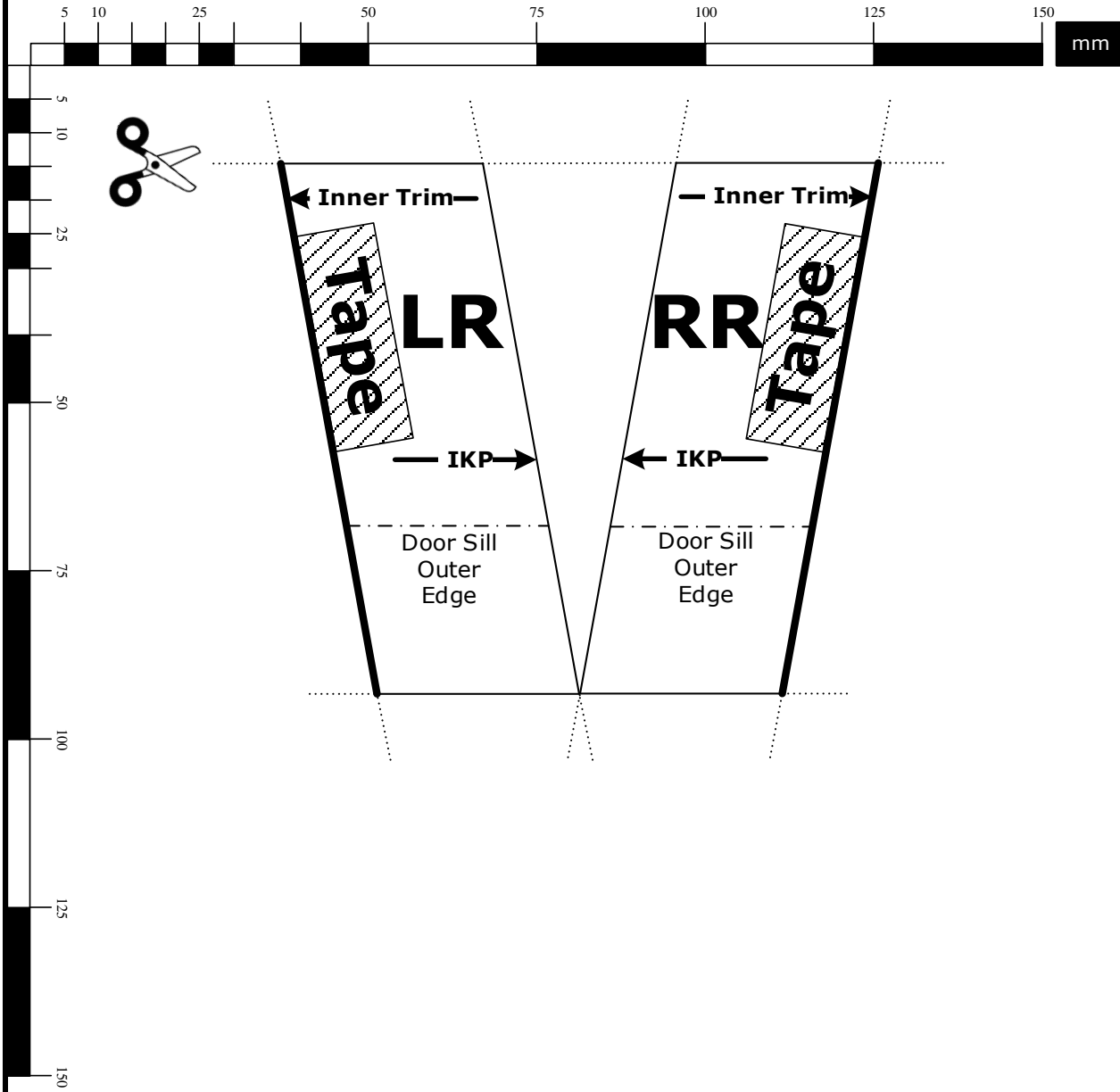
Page Intentionally Left Blank



CAUTION

Template **MUST** be printed to scale in both directions. Check printout by using scales below.

DO NOT run with scissors !



RR **LR**



Front of Vehicle



Front of Vehicle