



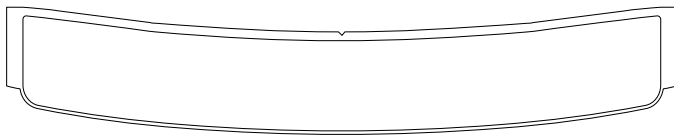
GENUINE PARTS

INSTALLATION INSTRUCTIONS

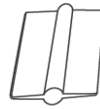
DESCRIPTION:	Rear Bumper Protector - Clear
APPLICATION:	Altima
PART NUMBER:	T99B2 6CA0A

KIT CONTENTS:

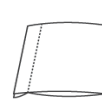
ITEM	QTY	Part Description
A	1	Rear Bumper Protector - Clear
B	1	Plastic Squeegee
C	1	Squeegee Soft Sleeve
D	1	Installation Instructions Notice



A



B



C



D

TOOLS REQUIRED (NOT INCLUDED):

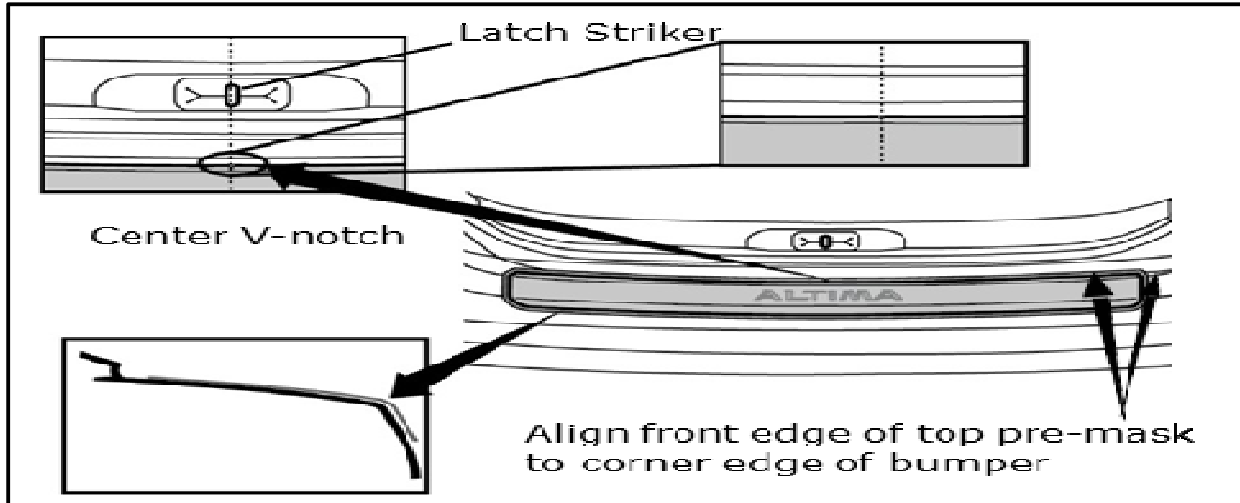
- 90% Isopropyl Alcohol
- Dish Soap
- 32 Ounce Spray Bottle
- Water
- Soft Lint Free Microfiber Cloth
- Pin

APPLICATION SOLUTION: Fill a 32 oz. spray bottle with 20% isopropyl alcohol, 80% water, and add 5-7 drops of dish soap.

CAUTION

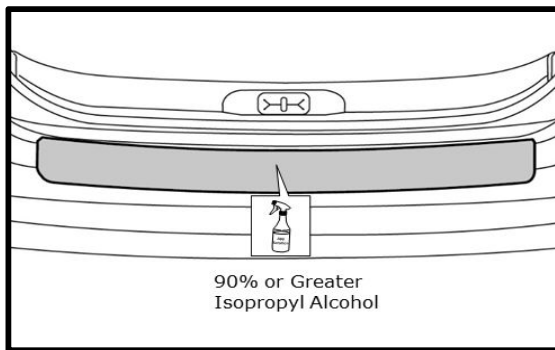
- Dealer installation recommended.
- For proper installation please follow the instructions carefully.
- Please DO NOT use or install the part in ways other than what is described.
- Please thoroughly wash vehicle with soap and water prior to installation.
- After installation, do not wash vehicle or expose to moisture for 24 hours. Washing vehicle less than 24 hours after installation can cause poor adhesion.
- The temperature of the vehicle body surface and bumper protector must be at 18°C - 32°C (65°F - 90°F) for optimal installation.
- Avoid installing bumper protector in direct sunlight, in windy conditions, or near debris producing operations (e.g. spray painting, detailing, blowing leaves, mowing lawn).
- Be careful not to scratch or damage any component during installation or removal.
- Make sure your hands and the application surface are clean and free from any contaminants that can transfer to adhesive.
- Use edges of adhesive liner and premask when handling bumper protector to minimize risk of contaminating adhesive.
- Squeegee must remain in its soft sleeve throughout entire installation process.
- Always use firm overlapping strokes when squeegeeing. Failure to do so can cause bubbles and wrinkles.
- Do not squeegee towards bumper protector areas that have already been properly tacked to vehicle. Failure to do so can cause bubbles and wrinkles.
- The Accessory Service Film Protector (T99B2 6CA0A) is for use only with Genuine Nissan or Nissan Approved accessories. Nissan is not liable for any loss or damage due to improper installation or installation of non-Genuine or non-Approved accessories.

INSTALLATION PROCEDURE:



Step 1) Dry Fit

Open trunk and dry fit part before installation to gain familiarity with alignment features. Align the V-notch located front-center on the film pre-mask to the trunk latch striker. Align the front edge of top film pre-mask to top corner edge of bumper. This will be the final installation position.

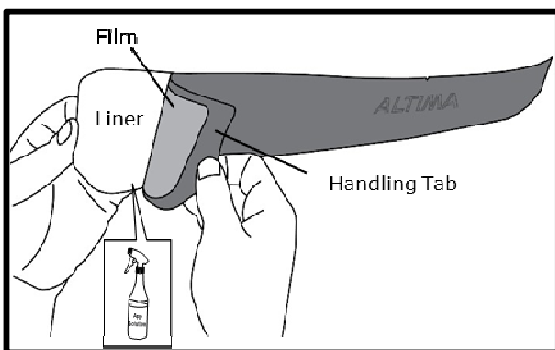


Step 2) Clean Bumper Surface

With trunk open use the clean lint free microfiber cloth and 90% or greater isopropyl alcohol to clean the bumper application area. Allow to dry completely.

Note: Prevent overspray of the solution which can cause dirt and debris to enter the application surface.

Note: The temperature of the vehicle body surface and bumper protector must be at 18°C - 32°C (65°F - 90°F) for optimal installation.



Step 3) Remove Liner from Film Adhesive

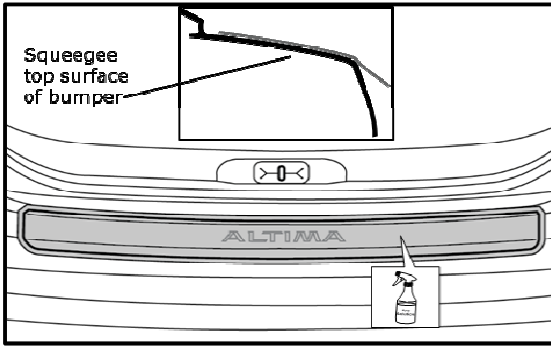
Lay application film face down on a clean flat surface for support. Slowly peel bottom white liner from film. Use any of the handling tabs to steady part as liner is peeled back. Switch handling tabs as needed and avoid contact with film adhesive.

Step 4) Apply Application Solution

Spray the cleaned rear bumper surface and adhesive film surface with an even mist of application solution. Take care not to allow application to dry.

NOTE: Do not allow application solution to dry before bumper protector is properly squeegeed into position. To prevent adhesive from tacking prematurely, regularly lift areas of bumper protector that have not been squeegeed into position to spray a light mist of additional application solution onto adhesive and/or attachment area of rear bumper.

INSTALLATION PROCEDURE CONTINUED:

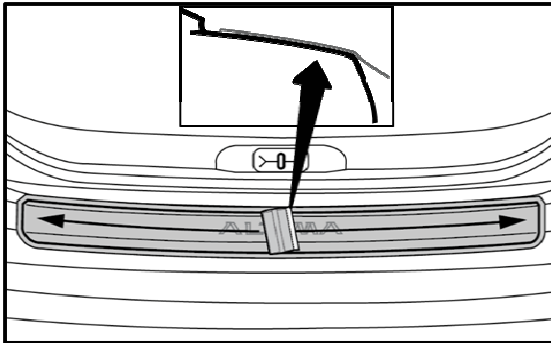


Step 5) Apply Protector Film to Bumper

Repeat Step 1. Align V-notch to latch striker and front edge of top premask to top corner edge of bumper. Refer to figure in step 1. The Bumper Protector film and bumper should be properly aligned.

Spray top surface of premask with an even mist of application solution to allow the squeegee to slide easily.

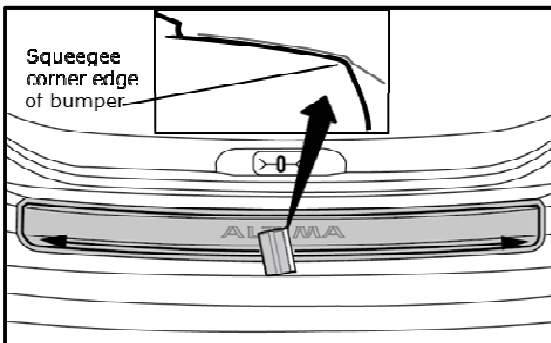
Note: Always use squeegee with soft sleeve.



Step 6) Squeegee Top Surface

Starting from center of top surface, squeegee outward towards right, moving across in 75 mm (3 inch) increments until end is reached. Use lateral overlapping strokes with a force pulling down. Repeat in opposite direction.

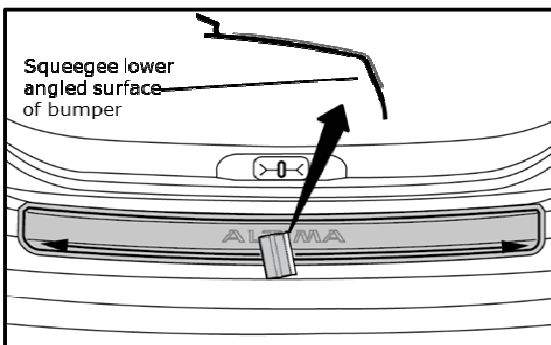
Apply firm pressure as you drag squeegee. As liquid is pushed outward from edges, use lint free microfiber cloth to absorb it so that it does not reenter underside of part.



Step 7) Squeegee Edge

Squeegee only along corner edge. Do not tack part to lower surface. Starting from center, squeegee outward towards right using firm lateral strokes until end is reached. Repeat in opposite direction.

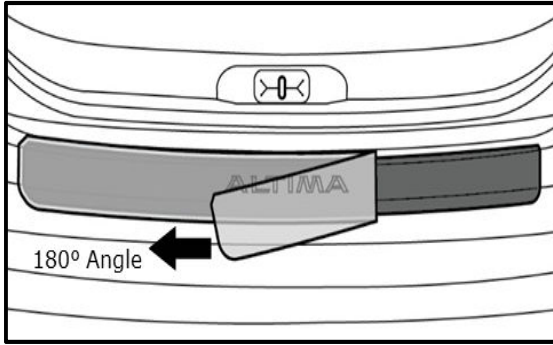
Note: To prevent adhesive from sticking prematurely, lift areas of part that have not been squeegeed into position to reapply application solution to adhesive and attachment surface area.



Step 8) Squeegee Lower Lip

Squeegee along lower angled surface and smooth out an area about 75 mm (3 inch) to both left and right of part's centerline. Continue to the edge.

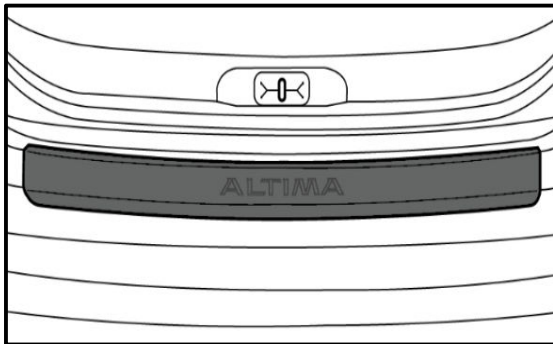
INSTALLATION PROCEDURE CONTINUED:



Step 9) Remove Premask

Carefully remove premask (top liner) by pulling slowly and horizontally at 180° angle back against itself. Wipe part and surrounding area of rear bumper with lint free microfiber cloth.

Note: Do not pull downward or outward, if corner of film lifts when trying to remove premask, re-squeegee and let it dry a few minutes before trying again.



Step 10) Final Inspection

Inspect for bubbles and spots that have lifted. If a bubble with application solution is located, re-squeegee using a firm, fast stroke. If the bubbles persist, use a pin to puncture the base of the bubble and re-squeegee.

Note: Do not spray 90% isopropyl alcohol after premask has been removed. It will damage the adhesive of the rear bumper protector.

Do not expose vehicle to moisture for 24 hours.