



GENUINE PARTS

INSTALLATION INSTRUCTIONS

DESCRIPTION:	Edition One Emblem Kit
APPLICATION:	Altima
PART NUMBER:	T99G8 6CA0E

KIT CONTENTS:

ITEM	QTY	Part Description
A	2	Edition One Emblem
B	1	Installation Instruction Replacement Template



A

STOP Important: Read Before Installation

Dealer Installation Recommended.

WARNING

To avoid serious personal injury or property damage, obtain the Installation Instructions before attempting to install this accessory. The Installation Instructions provide the necessary procedures for a safe installation.

CUSTOMER INTERNET DOWNLOAD INSTRUCTIONS: Customers can obtain Installation Instructions for Edition One Nissan vehicles at www.detroit-techinfo.com or www.nissan-techno.com respectively. From the home page, click on "Inside Publications" and select Accessory Installations. Select your model and model year, then locate the Instructions for your accessory.

DEALER ASSET DOWNLOAD INSTRUCTIONS: Dealership technicians can locate the Installation Instructions for the accessory in **ASST INFO TOOLBOX**. Always download and use latest version of the Installation Instructions.

Installation Instructions Replacement Template 9992 A000 Rev. 05/2018

B

TOOLS REQUIRED:

- Scissors
- Masking Tape
- Metric Ruler
- Soft Lint Free Microfiber Cloth
- 90% or Greater Isopropyl Alcohol Solution

PRE-INSTALLATION WARNINGS, CAUTIONS, CRITICAL STEPS, and NOTES:

- Dealer installation recommended.

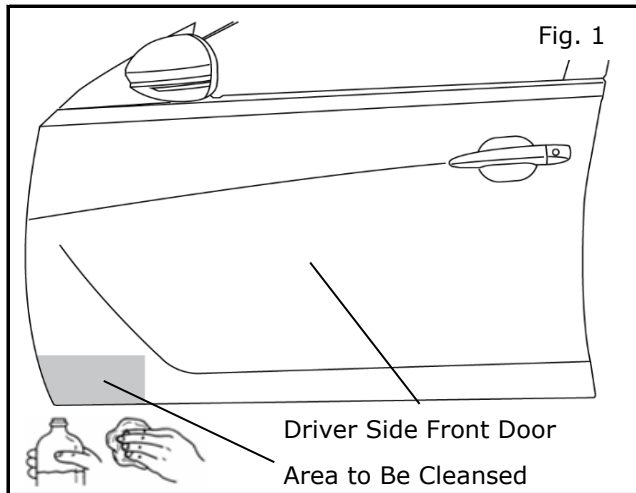
NOTE

- Passenger side emblem positioning mirrors driver side emblem positioning.

CAUTION

- Vehicle body surface and emblems must be at 18°C - 40°C (65°F - 104°F) for optimal installation.
- Failure to cleanse mounting surfaces properly can cause poor adhesion between emblems and vehicle.
- Failure to apply enough pressure to secure all of tape can cause emblems to not adhere properly.
- After emblems have been installed, do not wash vehicle or expose vehicle to moist environment for minimum of 24 hours.
- To allow time for adhesive to cure, maintain vehicle temperature between 18°C - 40°C (65°F - 104°F) for minimum of 2 hours after emblems have been installed.
- Paper installation template must be printed at 100% scale.

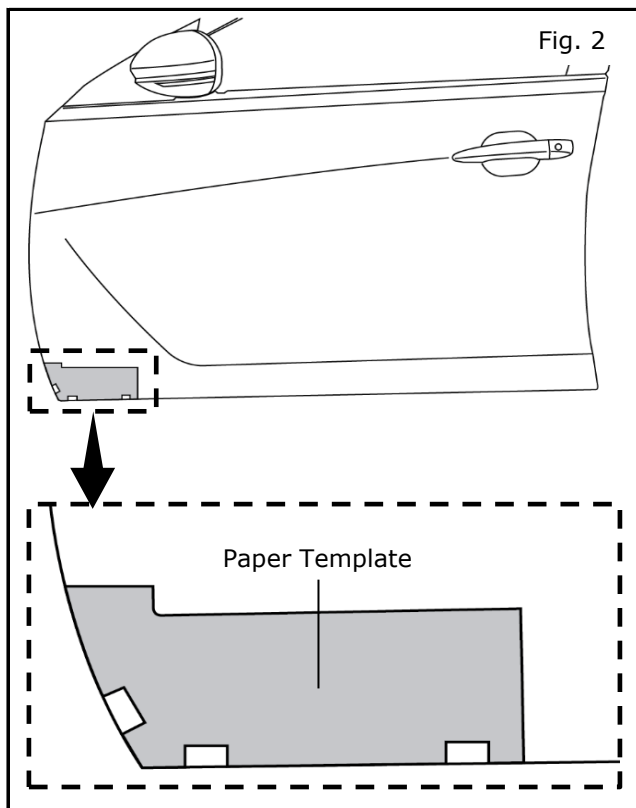
INSTALLATION PROCEDURE:



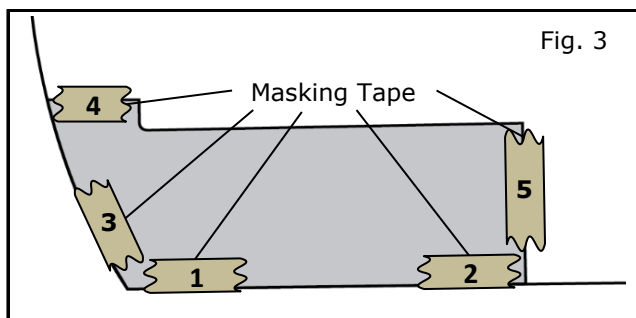
- 1) Clean mounting location and surrounding area (shaded area) on driver side front door.
 - a) Wash mounting location and surrounding area with soap and water. Allow time to dry.
 - b) Cleanse mounting location and surrounding area with clean microfiber cloth and 90% or greater isopropyl alcohol solution. Allow time to dry.

NOTE:

Failure to cleanse mounting surface properly can cause poor adhesion between emblem and vehicle.



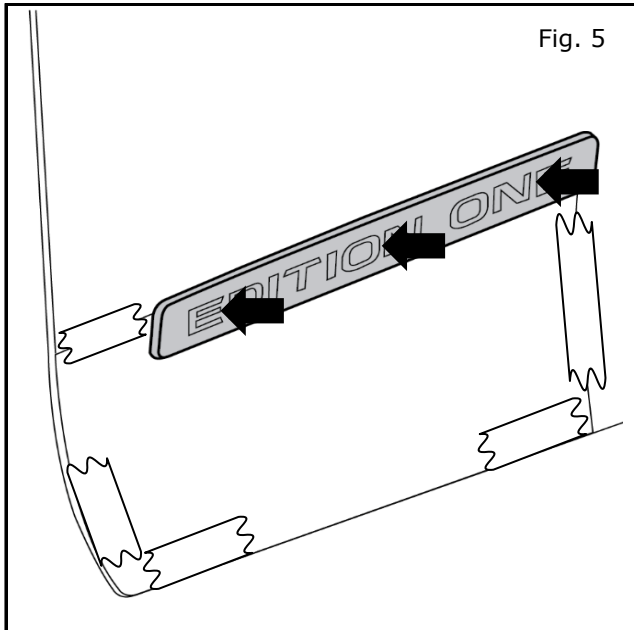
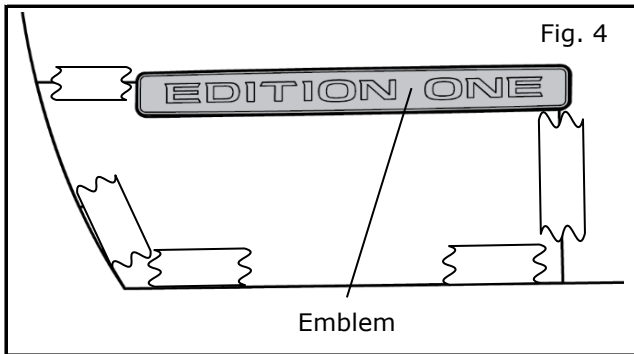
- 2) Align paper template to driver side front door.
 - a) Align bottom edges of paper template to bottom edge of door.
 - b) Align front edges of paper template to front edge of door.



- 3) Secure paper template to door with masking tape in sequential order shown, starting with 1.
- 4) Confirm paper template is lying flat against door and properly aligned. Adjust paper template and masking tape if needed.

- 5) Remove and discard adhesive liner of emblem.

INSTALLATION PROCEDURE (DOOR EMBLEM):



6) Align bottom and forward edges of emblem to paper template.

7) Using clean microfiber cloth, apply firm pressure across entire emblem.

8) Using clean microfiber cloth, reapply firm pressure across entire emblem.

NOTE:

Failure to apply enough pressure to all of tape can cause emblem to not adhere properly.

9) Remove and discard protective film atop emblem.

10) Remove and discard masking tape strips that are securing paper template to door, but save paper template for passenger side emblem installation. Paper template may be discarded after both driver side and passenger side emblems have been installed.

11) To install passenger side emblem, repeat steps 1 through 10 on passenger side.

12) Maintain vehicle temperature between 18°C - 40°C (65°F - 104°F) for minimum of 2 hours. Do not wash vehicle or expose vehicle to moist environment for a minimum of 24 hours. This will allow time for adhesive to cure.



**Check
Printer
Settings**

Print
100%
Scale

50 mm

**Confirm
Dimensions
of Box**

50 mm

**Secure
Template to
Door With
Tape Here**



**Secure
Template to
Door With
Tape Here**



**Secure
Template to
Door With
Tape Here**

