



GENUINE PARTS

INSTALLATION INSTRUCTIONS

- 1. DESCRIPTION:** Hitch Ball Mount (Class III)
2. APPLICATION: ZW / WZW / IWZW-04 and after
3. PART NUMBER: 999T7-WQ810

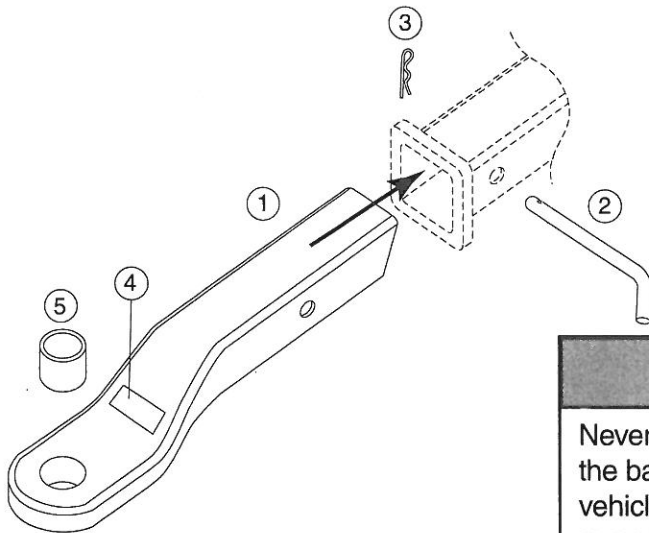
4. KIT CONTENTS:

Item No. Reqd. Name

Item No.	Reqd.	Name
1	1	Draw Bar
2	1	5/8" Pull Pin
3	1	Clip
4	1	Caution Label
5	1	Bushing

- 5. TOOLS REQUIRED:** None

6. INSTALLATION PRECAUTIONS/NOTES:



Insert Draw Bar(#1) into receiver opening. Line up holes on receiver with holes on Draw Bar and push Pull Pin(#2) through opening. Insert Clip(#3) through hole in Pull Pin. Be sure clip is fastened securely.

! CAUTION

Never tow more weight than the rating of the ball or weight distribution hitch, or vehicle which ever is lower. See vehicle owner's manual for vehicle towing capacity.

! WARNING

Hole diameter in the ball mount is designed for 1.25 inch ball shank. Do not install any ball in this hole that has shank diameter size less than 1 3/16 inches. Install bushing(# 5) supplied to use ball with 1 inch shank. Do not install any ball that has shank size less than 15/16 inches diameter into this bushing. If using a smaller diameter shank confirm that the rating of the ball meets towing needs.

Threaded portion of the ball shank must protrude beyond bottom of nut when ball is installed and tightened on this ball mount. Failure to install as specified and to tighten nut to torque specified on the ball instructions can result in ball failure or loss of attachment.