



GENUINE PARTS

INSTALLATION INSTRUCTIONS

1. **DESCRIPTION:** Cargo Area Protector Vinyl

2. **APPLICATION:** Armada

3. **PART NUMBER:** 999M1 2R002

4. **KIT CONTENTS:**

Item	QTY	Description
A	1	Cargo Liner
B	1	Installation Instructions Replacement Template

5. **TOOLS REQUIRED:**

- Scissors

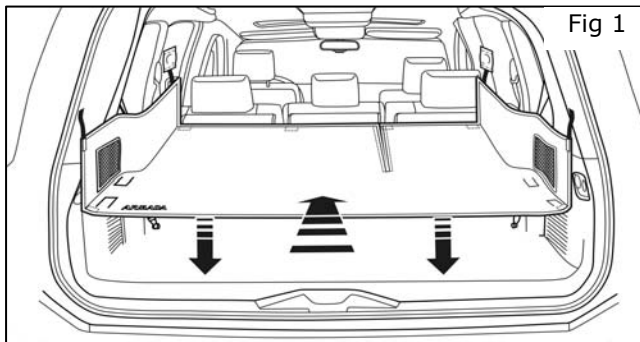
6. **PRE-INSTALLATION CAUTIONS/NOTES:**

- The area to be covered by the cargo liner must be free of dirt. The underside surface of the cargo liner must be clean.
- Both the cargo area and cargo liner must be completely dry. If cargo liner gets wet, remove and allow to dry completely.
- Manufacturer will not be responsible for damage to product due to accident or misuse.

CARE OF CARGO LINER:

- Hand clean cargo liner using mild soap, rinse thoroughly with clean water and line dry completely. Do not machine dry!

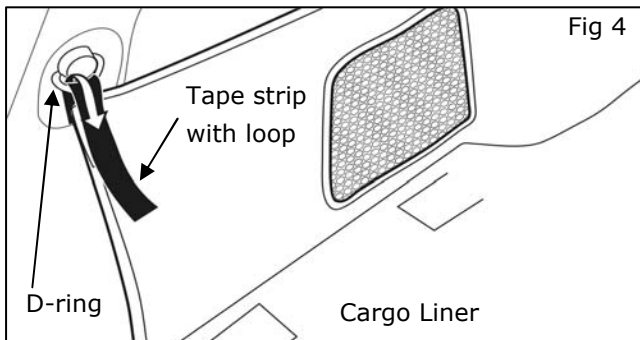
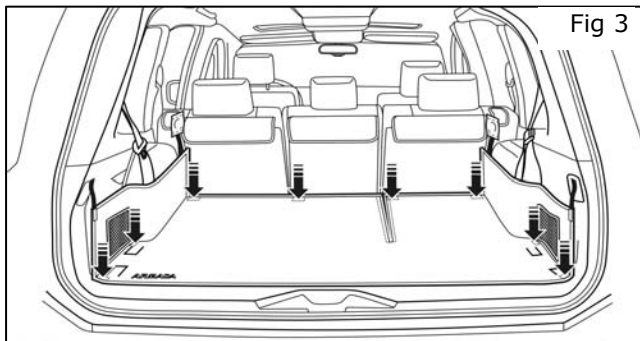
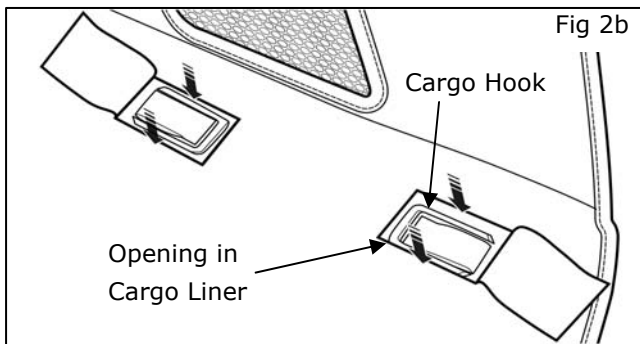
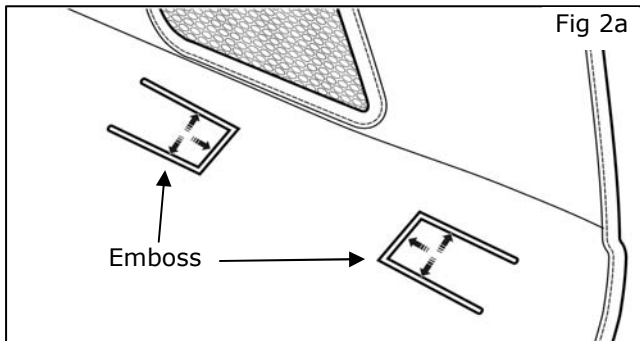
7. **INSTALLATION PROCEDURE:**



- 1) Open the rear door and fold down the third row seats. Locate the front edge of cargo liner and place the front edge on top of the 3rd row seats.

INSTALLATION INSTRUCTIONS - Cargo Area Protector Vinyl

7. INSTALLATION PROCEDURE:



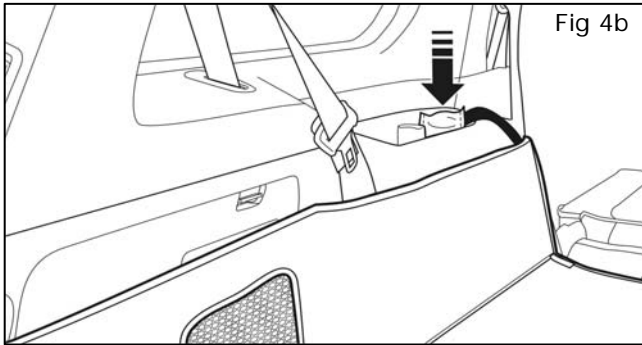
- 2) Cut flaps for cargo hooks (optional).
 - a) If you intend to use cargo hooks, continue with step 2). If you do not intend to use cargo hooks, skip step 2), and go to step 3).
 - b) Locate the 4 embosses at the back edge of the cargo liner, using a pair of scissors cut along center of each emboss.
 - c) Align openings in liner with cargo hooks located in the floor in back of vehicle.

NOTE:

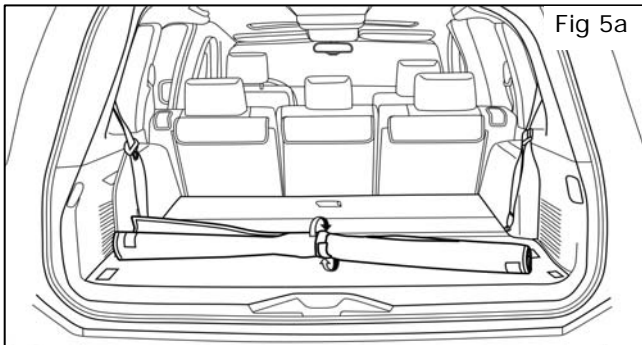
BE CAREFUL TO CUT INSIDE EMBOSSED AREA OF CARGO LINER ONLY.

- 3) Secure cargo liner to carpet
 - a) To secure cargo liner to carpet, press hook & loop strips, located at the front, side, and rear edges of cargo liner, to carpet.
- 4) Secure cargo liner to D-rings
 - a) On the driver's side of vehicle, locate the hook & loop strips at the rear top corners of cargo liner. Push strip through plastic D-ring at the rear of the vehicle. Fasten to liner.
 - b) Perform step a) on other side.

INSTALLATION INSTRUCTIONS - Cargo Area Protector Vinyl



- 5) Secure cargo liner to cup receptacles.
 - a) Locate the 2 straps with weighted pouches. Press weighted pouch into forward cup receptacle on each side of vehicle.



- 5) Storage of cargo liner.
 - a) To store cargo liner, fold in sides and roll up. Fasten hook & loop strip around the cargo liner.