



GENUINE PARTS

INSTALLATION INSTRUCTIONS

1. **DESCRIPTION:** Nose Mask
2. **APPLICATION:** Cube
3. **PART NUMBER:** 999N1 7W000
4. **KIT CONTENTS:**

Item	QTY	Description
A	1	Nose Mask, Main Piece
B	1	Nose Mask, Hood Piece
C	2	Well Nut
D	2	Washer
E	2	Snap Head Index Screw
F	1	Installation Instructions Replacement Template

5. **TOOLS REQUIRED:**
 - Scissors
 - Phillips Screwdriver

6. **PRE-INSTALLATION CAUTIONS/NOTES:**

- The area to be covered by the mask must be free of dirt. The flannel surface of the nose mask must be especially clean.
- Both the vehicle and the mask must be completely dry. If moisture is present under the mask and is allowed to dry, it may cause the paint to cloud. If mask gets wet, remove and allow to dry completely.
- Any repainted surface in contact with mask must be completely cured.
- DO NOT pull the mask from any of the openings when installing the mask. This may result in DAMAGE to your mask.
- If the nose mask should flap due to high speed or wind conditions, stop car and adjust or remove mask.

CARE OF NOSE MASK:

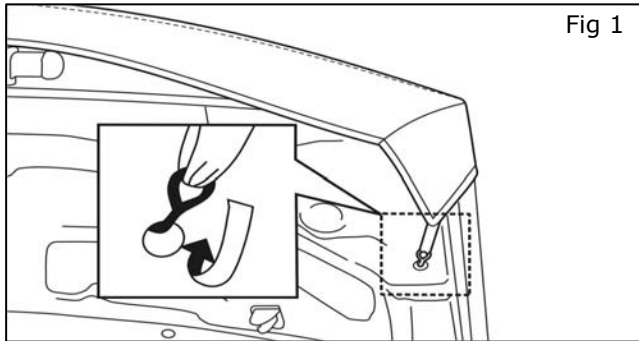
- To clean the vinyl and flannel backing, use a cleaner such as "409" or "Fantastic".
- The vinyl surface may be cleaned by simply spraying the cleaner onto the vinyl and wiping off with a cloth or sponge.
- To clean the flannel backing, liberally spray the cleaner on the area to be cleaned. If heavily soiled, use a cloth or sponge with the cleaner and rub the soiled area gently. Repeat if necessary. Rinse completely with clear water when finished. Hang to dry, but not in direct sunlight. Before installation, ensure both the vehicle and the nose mask are completely dry. If there is moisture under the nose mask and it is not allowed to dry, paint clouding can occur.

CAUTION

- Attach all elastics with hooks and clips carefully and securely. Accidental release may cause injury.

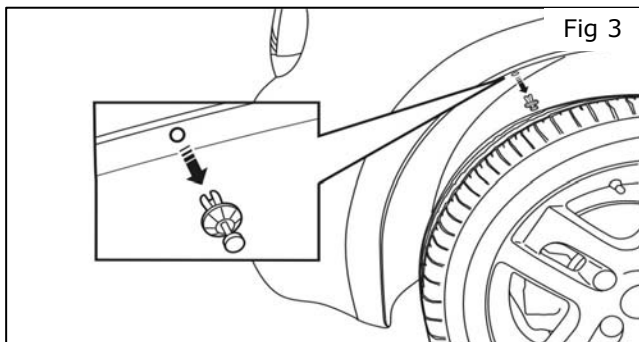
INSTALLATION INSTRUCTIONS - Nose Mask

7. INSTALLATION PROCEDURE:

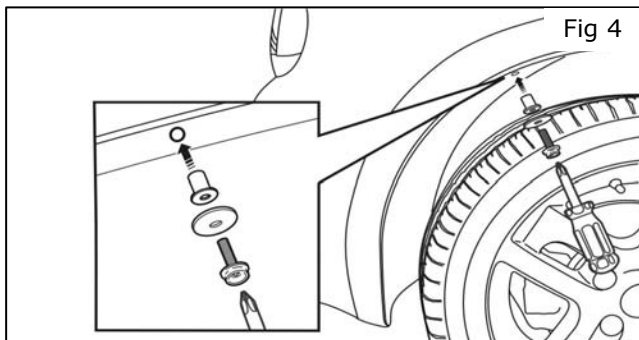


- 1) Install hood piece of nose mask.
 - a) Pull hood mask over front edge of hood until snug.
 - b) Attach hook with elastic strap to hole on underside of hood.
 - c) Perform step b) on other side.

- 2) Remove front license plate and license plate bracket (if applicable).
 - a) Remove 2 license plate screws.
 - b) Remove 2 license plate bracket screws.

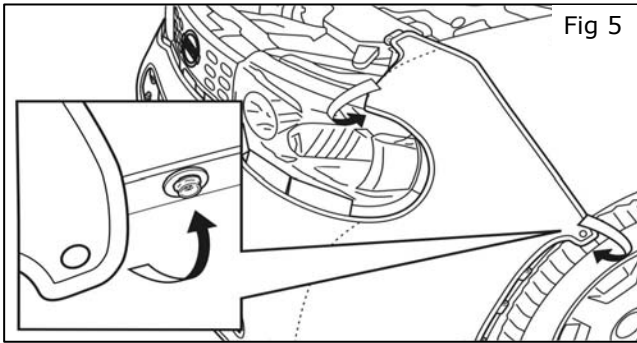


- 3) Remove existing plastic fastener in wheel well.
 - a) Remove plastic fastener holding upper front wheel well liner to fender in location shown.
 - b) Perform step a) in other front wheel well.

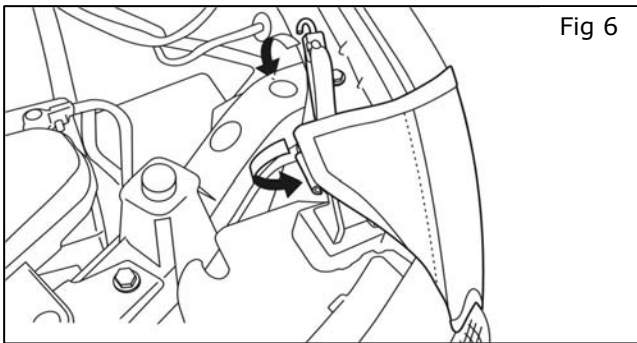


- 4) Install snap hardware.
 - a) Press well nut into empty hole in wheel well.
 - b) Using a phillips screwdriver, install washer and snap head index screw into well nut. Tighten till snug.
 - c) Perform steps a) and b) in other front wheel well.

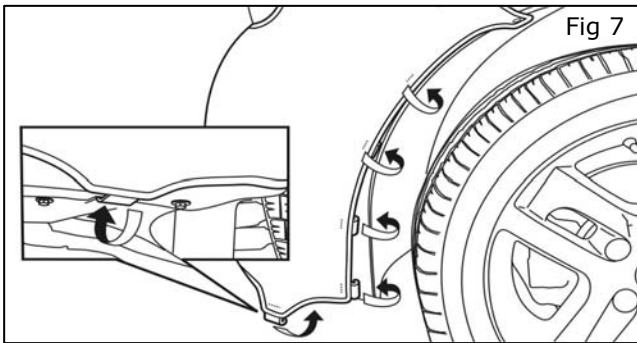
INSTALLATION INSTRUCTIONS - Nose Mask



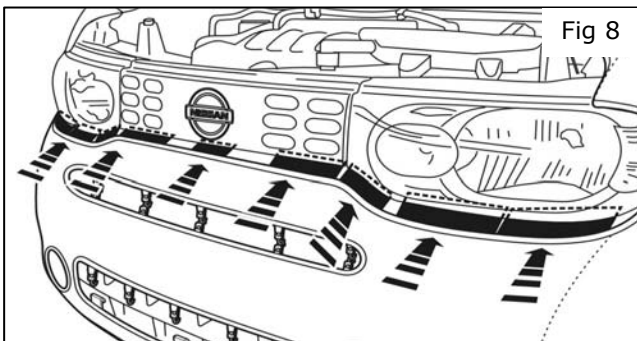
- 5) Secure mask pockets and snaps.
 - a) Lay mask over front of vehicle.
 - b) Above headlight slide the sewn pocket in the mask over the fender tip.
 - c) Press snap onto snap head screw in upper wheel well.
 - d) Perform steps b) and c) on other side of vehicle.



- 6) Secure mask above headlights.
 - a) Attach plastic clip to edge of headlight mounting bracket as shown.
 - b) Attach hook with elastic strap to back lower edge of radiator support.
 - c) Perform steps a) and b) on other side of vehicle.

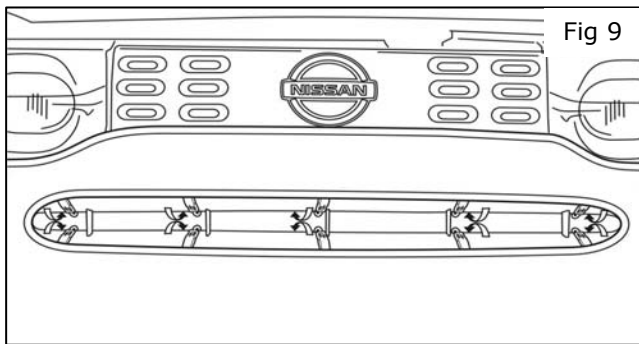


- 7) Secure mask in wheel well areas.
 - a) Attach 4 clips to inside edge of wheel well fascia.
 - b) Attach clip to underside of bumper fascia.
 - c) Perform steps a) and b) on other side of vehicle.

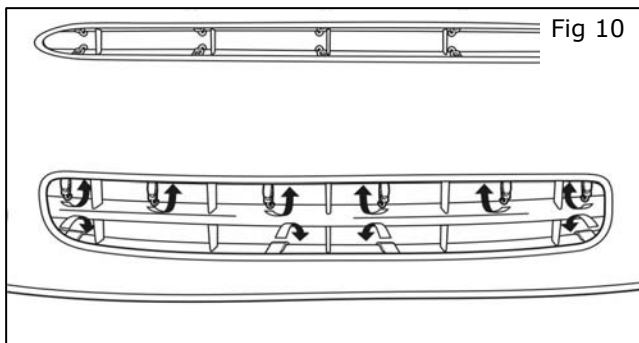


- 8) Secure mask below headlights and grill.
 - a) Insert 9 pads into gap under headlights and grill.

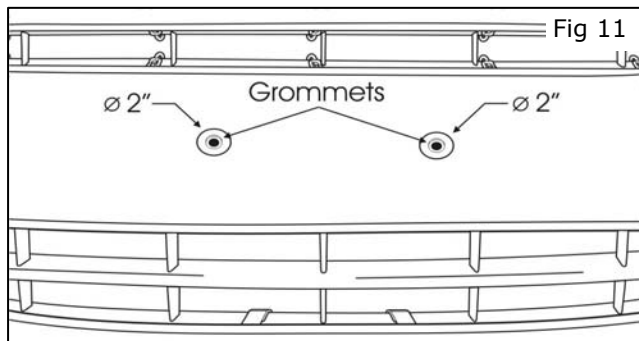
INSTALLATION INSTRUCTIONS - Nose Mask



- 9) Secure mask at upper fascia opening.
 - a) Attach 5 hooks with elastic straps to inside back edge at top of upper fascia opening.
 - b) Attach 5 hooks with elastic straps to inside back edge at bottom of upper fascia opening.



- 10) Secure mask at lower fascia opening.
 - a) Attach 6 hooks with elastic straps to inside back edge at top of lower fascia opening.
 - b) Attach 4 clips to inside back edge at bottom of lower fascia opening.



- 11) Reinstall License plate and license plate bracket (if applicable).
 - a) Poke holes through mask into center license plate bracket grommets.
 - b) Cut clearance holes (1" - 2") so that license plate bracket pads will rest on fascia.
 - c) Reinstall license plate bracket and plate.