



GENUINE PARTS

INSTALLATION INSTRUCTIONS

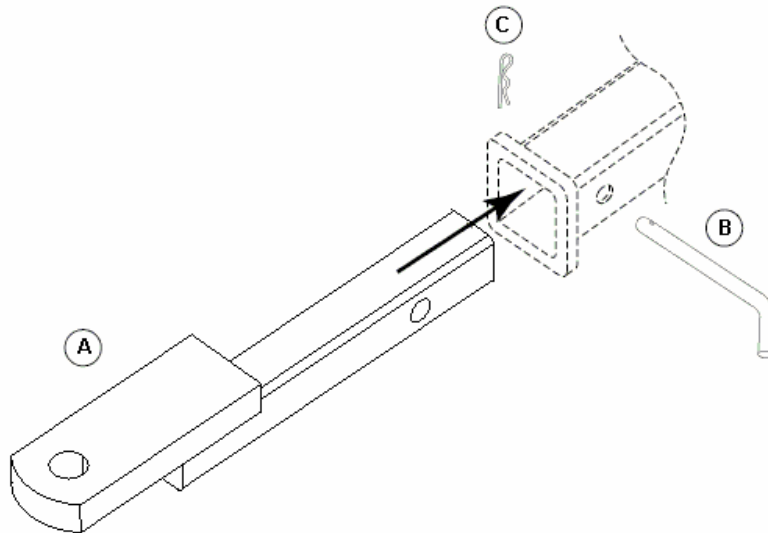
1. **DESCRIPTION:** BALL MOUNT KIT
2. **APPLICATION:** ROGUE (2008 and later)
3. **PART NUMBER:** 999T5 GT020
NOTE: Installation of this accessory requires installation of additional Nissan Genuine Part(s):
- WIRE HARNESS (999T8 GU000)
 - HITCH KIT (999T5 GT010)
 - CLASS I HITCH BALL (999T7 D7004)

4. **KIT CONTENTS:**

Item	QTY	Description
A	1	BALL MOUNT
B	1	PIN
C	1	CLIP

5. **INSTALLATION PROCEDURE:**

Insert BALL MOUNT (A) into receiver opening. Align holes on receiver tube with holes on ball mount and slide PIN (B) through opening. Insert CLIP (C) through hole in PIN. Make sure that CLIP is securely fastened



6. **CAUTIONS / NOTES:**

This product complies with SAE J684 V-1

NOTE: REFER TO OWNERS MANUAL FOR TOWING CAPACITY

 **CAUTION**

- Vehicle towing capacity may differ from hitch rating