



GENUINE PARTS

INSTALLATION INSTRUCTIONS

1. DESCRIPTION: Step Rails
2. APPLICATION: Titan King Cab / Titan Crew Cab
3. PART NUMBER 999T6 WQ002 (King Cab)
999T6 WQ004 (Crew Cab)

4. KIT CONTENTS:

<u>Item No.</u>	<u>Qty</u>	<u>Description</u>	<u>Service Part Number</u>
1)	2	Step Rails	96110 7S200 (King Cab) 96110 8S500 (Crew Cab)
2)	6	Brackets	96176 7S200
3)	6	Bolts (25 mm length)	
4)	6	Nuts	
5)	12	Bolts (20 mm length)	
6)	1	Installation Instructions Replacement Template	

5. TOOLS REQUIRED:

- Ratchet
- 12-mm Deep-well Socket
- Torque Wrench

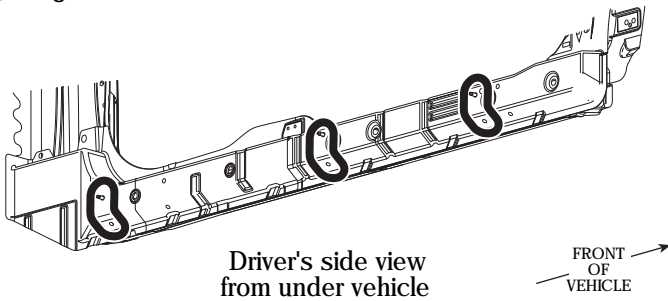
6. INSTALLATION PRECAUTIONS / NOTES:

- Study illustrations and read the instructions carefully before attempting assembly.
- Always wear safety glasses while working under any vehicle.

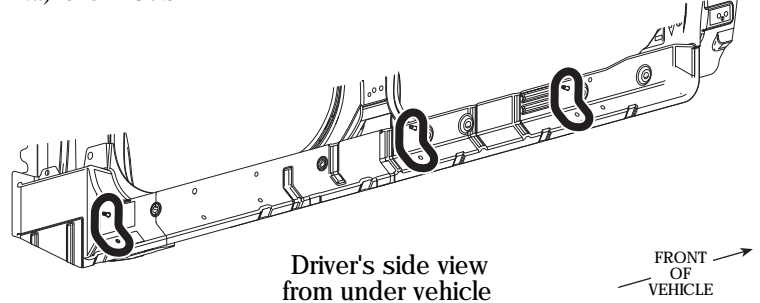
INSTALLATION INSTRUCTIONS - Step Rails

7. INSTALLATION PROCEDURE

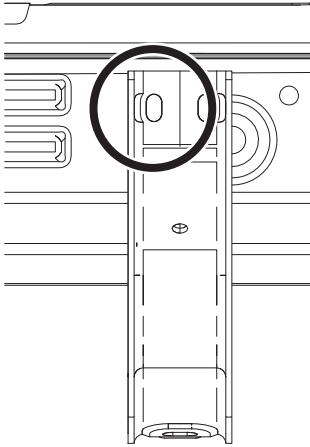
1.a) King Cab



1.a) Crew Cab



1.b)



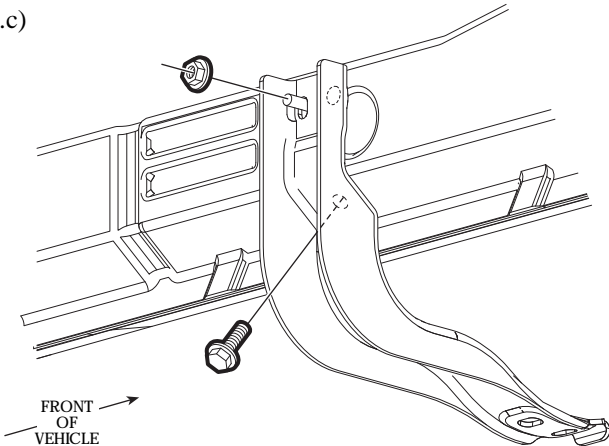
1) Brackets - Driver's Side

- a) Find the 3 stud and hole locations in frame - one set in back, one in the middle of the vehicle, and the other set towards the front of the vehicle.

Note: On the Crew Cab there are four (4) of these locations. Use the 1st, 2nd and 4th locations from the front of the vehicle.

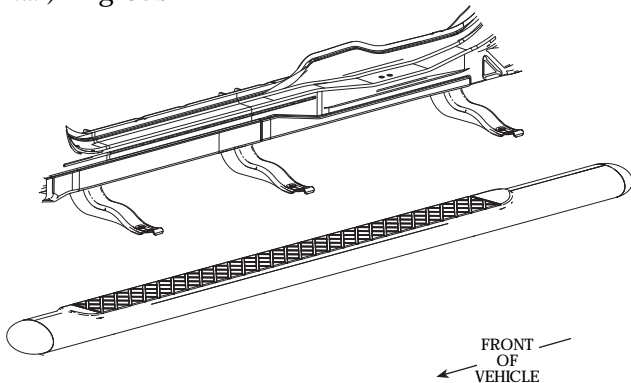
- b) Locate one bracket to weld stud on body sill in the front location on the driver's side - use the slot on the left side of the bracket. This is the slot to the rear of vehicle.

1.c)



- c) Secure with one nut and one 25-mm length bolt.
- d) Repeat for other two locations on driver's side.

2.a.i) King Cab

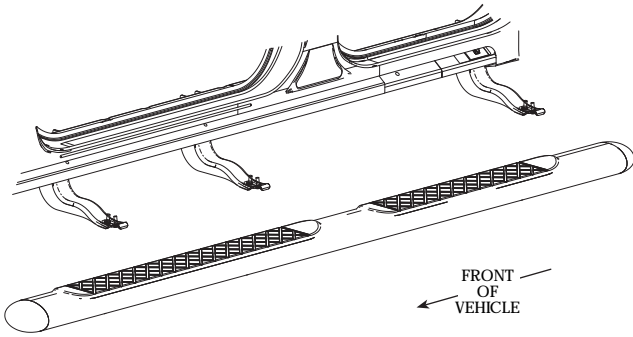


2) Step Rail

- a) Position step rail on brackets, making sure correct end is towards front of vehicle.
 - i) King Cab - Step pad should be offset towards the front of the vehicle.

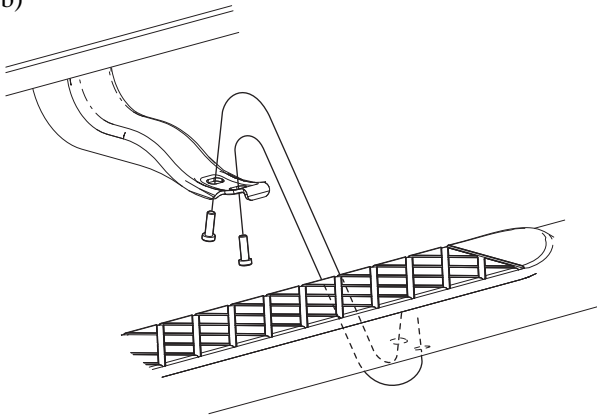
INSTALLATION INSTRUCTIONS - Step Rails

2.a.ii) Crew Cab



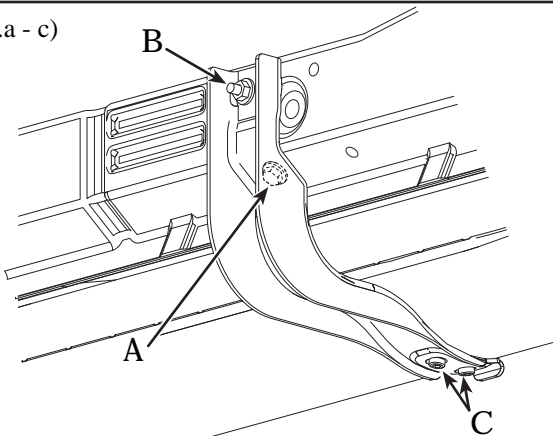
ii) Crew Cab - Larger step pad should be at the front of the vehicle.

2.b)



b) Secure step rail to each bracket with two 20-mm length bolts.

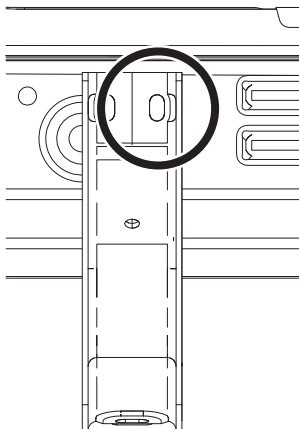
3.a - c)



3) Tighten bolts

- Using the 12-mm socket, tighten the bolt holding the bracket to the frame to 24 N-m (17.3 ft-lb; 212 in-lb).
- Using the 12-mm socket, tighten the nut holding the bracket to the frame to 14 N-m (10.5 ft-lb; 124 in-lb).
- Using the 12-mm socket, tighten the bolts holding the step rail to each bracket to 14 N-m (10.5 ft-lb; 124 in-lb).

4.)



4) Repeat above steps for Passenger's side, except use the slot on the right side when installing the brackets. This is the slot to the rear of vehicle.